

压力仪表选型样本

THE PRESSURE INSTRUMENT SELECTION SAMPLES



安徽徽宁电器仪表集团有限公司

ANHUI HUINING ELECTRIC METER & APPLIANCE GROUP CO.,LTD.

企 业 简 介

安徽徽宁电器仪表集团有限公司座落于风景秀丽，素有“渔米之乡”、“皖东明珠”之称的安徽省滁州市天长市，地处安徽东大门，南接历史文化名城南京，东连扬州瘦西湖畔，长深高速公路贯穿境内，并紧靠京沪高铁和南京禄口机场，地处中国经济最具活力的“长三角”地区。企业成立于1989年，发展至今已有三十多年历史，800多名员工，属国家中型企业，具有良好的发展前景。

公司是从事电线电缆、汇线桥架、仪器仪表设计开发、生产和服务于一体的高新技术企业，技术力量雄厚，生产、检测设备先进，拥有完善的生产制造规程和检验手段。目前生产的电线电缆主要产品：35KV及以下电力电缆、控制电缆、计算机屏蔽信号电缆、本安电缆、补偿电缆、耐高温电缆、变频电缆、阻燃耐火电缆、环保型低烟无卤电缆、橡套软电缆、光伏电缆和矿用电缆、船用电缆、特种电缆、油田专用承荷探测电缆、潜油电泵电缆；仪表产品：温度仪表、压力变送器、磁翻板液位计、电磁流量计、涡街流量计、金属转子流量计、仪表管阀件气体报警仪等；桥架及电器开关产品；铝合金桥架、钢制桥架、母线槽、高低压开关柜等产品。

公司在发展过程中得到地方各部门的关心和认可，连续多年被评为国家“守合同、重信用”企业、国家“专精特新”重点小巨人企业、国家绿色工厂、国家高新技术企业、国家知识产权优势企业、全国质量和服务诚信优秀企业、安徽省专精特新50强企业、安徽省制造业百强企业、省级认定技术中心、博士后科研工作站、省级技术创新示范企业、省民营科技型企业、省创新型企业试点、省制造业高端品牌培育企业、安徽著名商标、银行AAA级信用企业、A级纳税信用等级企业、省诚信企业、省工人先锋号、滁州市市长质量奖、滁州市“十优企业”、滁州市“营业收入50强企业”，滁州市“纳税50强企业”，滁州市安全生产标准化企业、滁州市工程技术研究中心、滁州市工业设计中心、滁州市数字化车间、滁州市文明单位、市“十强企业”、市优秀高新技术企业、市“平安企业”、市科技进步奖等多项荣誉称号。

质量和服务是企业不断发展壮大的基础，公司先后通过了ISO 9001质量管理体系、ISO 14001环境管理体系、ISO45001职业健康安全管理体系、API美国石油协会Q1质量体系、测量管理体系(AAA)、售后服务管理体系、知识产权管理体系等各类体系认证；拥有国家认可委员会颁发的CNAS实验室认可证书，产品取得了国家强制性产品(CCC)、TS、CB、CE、TUV、EAC、GOST-R、SIL、CQC、PCCC、ROHS、ECM、船用产品、矿用产品、防爆产品等相关认证证书。阻燃电缆、耐火电缆通过国家权威部门的检测，部分产品被评为安徽省名牌产品、安徽省工业精品、安徽省新产品和高新技术产品，高压硅橡胶扁电缆、纳米陶瓷封装耐震铂热电阻等100多项获得国家专利。

公司产品销往全国各地石油、化工、电力、机械、建材、冶金、造纸、新能源、基础设施、医药等行业，并出口过英国、俄罗斯、越南、刚果、孟加拉、伊朗、印尼、土耳其、尼日尔、文莱、伊拉克等国家。是中石油、中石化、中海油三桶油的甲级供应商，是中国化学、中化集团、也是大唐、华电、华能、中电投、国家能源五大电力公司和国家电网、华润公司供应商。中煤能源集团、中粮集团、恒逸集团、浙江石化、盛虹集团、海螺集团、兵器工业集团等著名企业的供应商。产品使用情况良好，得到了用户的一致好评。在北京、上海、广东、河北、福建、浙江、甘肃、新疆、江西、江苏、山东等多个省市大中城市设立了服务网点办事机构。

徽宁将以卓越的品质、良好的服务、诚信的经营回报社会。企业本着诚信发展、稳步发展、滚动发展的经营理念，使企业在发展过程中，始终保持着低负债率的良好状况，无论是在企业内部、合作伙伴、社群客户，徽宁始终与他们保持真诚的合作、良好的沟通，并分享着价值与事业的空间。面对新形势，徽宁人奉行“诚信互惠，高效卓越”的经营理念，决心立足电线电缆产业，依靠自己的勤劳和智慧，竭诚与各界朋友合作，共求发展，共创辉煌未来。



开拓 创新 敬业 诚信

Introduction



Anhui Huining Electrical Instrument Group Co., Ltd. is located in Tianchang City of Chuzhou, Anhui Province, known as the "town of fish and rice" and the "pearl of East Anhui", which is located in the east gate of Anhui Province, south of the historical and cultural city of Nanjing, east of the slender West Lake of Yangzhou, Changshen Expressway runs through the territory, and close to the Beijing-Shanghai high-speed railway and Nanjing Lukou Airport. It is located in the Yangtze River Delta, the most dynamic economic area in China. The company was founded in 1989, the development has been more than 30 years of history, more than 800 employees, is a national medium-sized enterprise, with good prospects for development.

The company is engaged in wire and cable, wire bridge, instrumentation design and development, production and service in one of the high-tech enterprises, strong technical force, advanced production and testing equipment, with perfect production and manufacturing procedures and inspection means. The main products of wire and cable currently produced: 35KV and below power cables, control cables, computer shielding signal cables, intrinsic safety cables, compensation cables, high temperature resistant cables, frequency conversion cables, flame retardant and fire-resistant cables, environmental protection low-smoke halogen-free cables, rubber sheathing flexible cables, photovoltaic cables and mining cables. Marine cables, special cables, oil field special load detection cables, submersible oil pump cables; Instrument products: temperature instrument, pressure transmitter, magnetic flap night level meter, electromagnetic flowmeter, vortex flowmeter, metal rotor flowmeter, gas alarm instrument of instrument pipe and valve, etc. Bridge and electrical switch products; Aluminum alloy bridge, steel bridge, busbar trough, high and low voltage switchgear and other products.

In the process of development, the company has been concerned and recognized by local departments. For many consecutive years, it has been rated as the national "contract keeping, credit heavy" enterprise, the national "specialized and special new" key small giant enterprise, the national green factory, the national high-tech enterprise, the national intellectual property advantage enterprise, the national quality and service integrity excellent enterprise, the Anhui Province specialized and special new 50 enterprises, the Anhui Province manufacturing 100 enterprises, the provincial recognized technology center, postdoctoral research workstation, Provincial technology innovation Demonstration Enterprise, provincial private science and technology enterprise, provincial innovative enterprise pilot, Provincial manufacturing high-end brand cultivation enterprise, Anhui famous trademark, bank AAA credit enterprise, A-level tax credit enterprise, provincial integrity enterprise, Provincial Worker Pioneer, Chuzhou Mayor Quality Award, Chuzhou "Top Ten Enterprises", Chuzhou "Top 50 Enterprises with Business Income", Chuzhou "Top 50 tax enterprises", Chuzhou safety production standardization Enterprise, Chuzhou Engineering Technology Research Center, Chuzhou Industrial Design Center, Chuzhou Digital Workshop, Chuzhou civilized unit, the city "Top Ten enterprises", the city excellent high-tech enterprises, the city "Safe Enterprise", the city Science and Technology Progress Award and many other honorary titles.

Quality and service are the basis for the continuous development of enterprises. The company has passed ISO 9001 quality management system, ISO 14001 environmental management system, ISO45001 Occupational health and safety management system, API Q1 quality system, measurement management system (AAA), after-sales service management system, intellectual property management system and other system certifications; With the CNAS laboratory accreditation certificate issued by the National Accreditation Committee, the products have obtained the national mandatory products (CCC), TS.CB, CE, TUV.EAC.GOST-R, SIL CQC, PCCC, ROHS.ECM, Marine products, mining products, explosion-proof products and other related certification certificates. Flame-retardant cables and fire-resistant cables have passed the testing of national authorities, and some products have been rated as famous brand products in Anhui Province, industrial fine products in Anhui Province, new products and high-tech products in Anhui Province, and more than 100 national patents have been obtained, such as high-voltage silicone rubber flat cables and nano-ceramic packaging shock-resistant platinum thermal resistors.

The company's products are sold all over the country in petroleum, chemical, electric power, machinery, building materials, metallurgy, paper, new energy, infrastructure equipment, medicine and other industries, and exported to the United Kingdom, Russia, Vietnam, Congo, Bangladesh, Iran, Indonesia, Turkey, Niger, Brunei, Iraq and other countries. It is a Grade A supplier of petrochina, Sinopec and CNOOC three barrels of oil, as well as a supplier of China Chemical, Sinochem Group, Datang, Huadian, Huaneng, China Power Investment Corporation, National Energy, State Grid and China Resources. China Coal Energy Group, COFCO, Hengyi Group, Zhejiang Petrochemical, Shenghong Group, Conch Group, North Industries Group and other famous enterprise suppliers. The product is in good use and has been praised by users. In Beijing, Shanghai, Guangdong, Hebei, Fujian, Zhejiang, Gansu, Xinjiang, Jiangxi, Jiangsu, Shandong and many other provinces and cities set up service network offices.

Huining will return to society with excellent quality, good service and honest management. Enterprises in good faith development, steady development, rolling development of the business philosophy, so that enterprises in the development process, always maintain a low debt ratio of the good condition, whether in the enterprise, partners, community customers, Huining always maintain sincere cooperation with them, good communication, and share the value and business space. Facing the new situation, Huining people adhere to the "integrity, mutual benefit, efficient and excellent" business philosophy, determined to base on the wire and cable industry, relying on their own diligence and wisdom, and wholeheartedly cooperate with friends from all walks of life, common development, create a brilliant future.

让用户满意是我们永恒的追求！

目录 contents

● 一般压力表、压力真空表、真空表	1
● 特种介质压力表	4
● Y-B系列不锈钢压力表	5
● Y-B系列精密压力表	7
● YN系列抗振压力表	9
● YX、YXC系列电接点压力表	10
● YTZ-150系列远传压力表	12
● YP系列膜片压力表\YPP系列防腐膜片压力表	13
● YE系列膜盒压力表	15
● YE-100B系列不锈钢膜盒压力表	17
● YM系列隔膜压力表	18
● Y-MK(MN)系列卫生型压力表	23
● CYW-B系列差压表	25
● 膜片式压力开关	27
● 膜片式隔膜压力开关	30
● 膜片式差压开关	31
● 膜片式负压开关	32
● HNP微压力控制器	33
● HNP压力控制器	36
● HNP高压力控制器	38
● HNV微负压控制器	41
● HNV负压力控制器	44
● HNC微差压/差压控制器	46
● 隔膜控制器	49
● HN3051系列压力变送器	51
● 1199远传膜片密封件系统	68
● HN3051F卫生型压力变送器	73
● HN3051P高温防腐型压力变送器	76
● HN系列变送器	80
● HN110A型差压变送器	82
● HN120A微差压变送器	85
● HN130A高静压差压变送器	88
● HN210A、HN220A法兰安装式差压变送器	91
● HN310A绝对压力变送器	97
● HN430A压力变送器	100
● HN510A&530A绝对压力/压力变送器	103
● HN118W、N、Y隔膜密封式差压变送器	106
● HN438W、N隔膜密封式压力变送器	115
● HN208、HN316系列扩散硅变送器	121

一般压力表、压力真空表、真空表

Normal Pressure Gauge, Pressure Vacuum Gauge, Vacuum Gauge

用途Application

该系列产品广泛用于输送气体，液体的管道及容器中，测量无爆炸危险，无结晶体、不凝固并对合金不起腐蚀作用的液体、气体等介质的工作压力。仪表具有体积小、结构精巧、性能稳定、安全可靠、显示清晰、直观等优点。

This series are widely used in gas transmitting liquid tube and vessels, measuring the working pressure of medium such as liquid and gas without danger of explosion, without crystallizing, without freezing and without corrosive function to alloy. Having advantages as small volume, ingenious structure, stable performance safety and reliability clear display and intuitionistic.

概述Summary

一般压力表，用“Y”表示；
 压力真空表，用“YZ”表示；
 真空表，用“Z”表示；
 压力表从安装形式区分，有径向安装及轴向安装之区别。
 Normal pressure gauge, marked with “Y”
 Pressure vacuum gauge, marked with “YZ”
 Vacuum gauge, marked with “Z”
 Distinguishing from the installation, there are two types, radial and axial

型号命名Model named

仪表类型 Type	表直径 Diameter	安装形式 Installation	表壳种类 Sheath Type
Y	一般压力表	Y	Normal
YZ	压力真空表	YZ	Pressure Vacuum Gauge
Z	真空表	Z	Vacuum Gauge

注：T表示表壳带边；直接安装无代号
 T: Sheath with border
 Blank: Direct installation

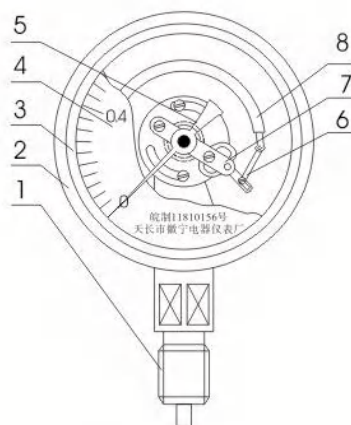
轴向：Z； Z: Axial
 径向无代号 Blank: Radial

Φ60; Φ100; Φ150;
 Φ200; Φ250

结构原理Structure Principle

仪表的测量系统由接头与弹簧管组成，由于被测压力的变化使弹簧管自由端产生位移，借连杆带动扇形传动齿轮端部的指针旋转，在刻度盘上指示出相应的压力数值。为了消除扇形齿轮转轴齿轮间的间隙活动，在转轴齿轮上装置了盘形游丝。

The system is made up of junction and spring tube, because the change of measured pressure effect the movement to free ends of spring tube, drives needle on turnable gear circling by the connection rod, then the dial will display the corresponding pressure value. In order to avoid the movement because of the clearance between the turnable gears, we fix a hairspring on the gears.



1. 接头
2. 表壳
3. 衬圈
4. 度盘
5. 指针
6. 连杆
7. 传动机构(机芯)
8. 弹簧管

注：T 径向表带后边-径向凸装；
 轴向表带前边-轴向嵌装；
 TQ 径向带表前边-径向嵌装；
 例：Y-150 径向，直接安装压力表
 Y-150ZT 轴向，带边压力表。
 ◆特殊的按装要求，请在合同上注清。

Note: T Radial gauge with behind border-Radial surface mounted gauge Axial gauge with front border-Axial surface concaved gauge
 TQ Radial gauge with front border-Radial surface concaved gauge
 Example: Y-150 Radial, direct installation gauge
 Y-150ZT Axial, gauge with border

主要技术指标 Main Technic Indicator

产品型号 Model #	Y-60 YZ-60 Z-60	Y-100 YZ-100 Z-100	Y-150 YZ-150 Z-150	Y-200 YZ-200 Z-200	Y-250 YZ-250 Z-250
公称直径 Norminal Diameter	Φ60	Φ100	Φ150	Φ200	Φ250
接头螺纹 Connection Thread	M14×1.5	M20×1.5			
精确度等级 Accuracy Class	2.5	1.6	1.0; 1.6		
测量范围MPa Measuring Range (MPa)	Y-	0~0.1; 0~0.16; 0~0.25; 0~0.4; 0~0.6; 0~1; 0~1.6; 0~2.5; 0~4; 0~6; 0~10; 0~16; 0~25; 0~40; 0~60;			
	YZ-	-0.1~0.06; -0.1~0.15; -0.1~0.3; -0.1~0.5 -0.1~0.9; -0.1~1.5; -0.1~2.4			
	Z-	-0.1~0			

注：连接螺纹可按客户要求特殊加工

Note: The junction screw thread can be according to user's special requests.

使用环境条件 Operation Circumstance

-40~70℃，相对湿度不大于85%。

-40~70℃，the relative humidity is 85% or smaller.

温度影响 Temperature Affection

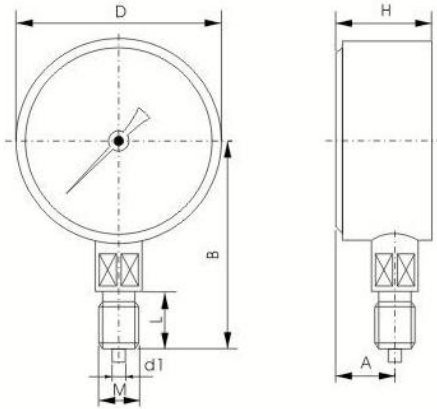
使用温度偏离20±5℃时；仪表示值误差=±(基本误差+0.04%×Δt)
the error of using temperature is 20±5℃

主要零部件材质 The materials of main components

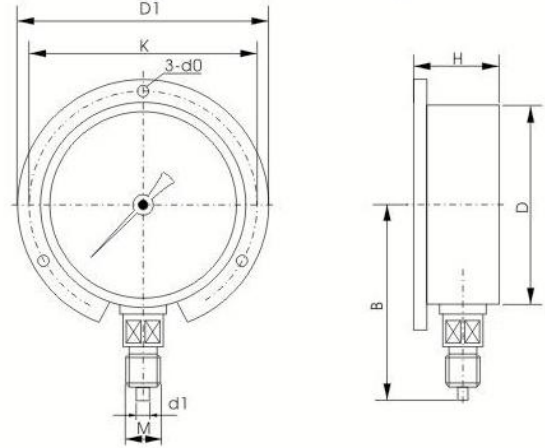
零件名称 Name	接头 Connection Header	弹簧管 Spring Tube	机芯 Core	外壳 Sheath
材料牌号 Material Tag	铜合金HPb59-1 Copper alloy HPb59-1	磷铜QSn4-0.3 phosphor bronze QSn4-0.3	铜合金 Copper alloy	钢板0.8F Steel panel

安装形式 Installation

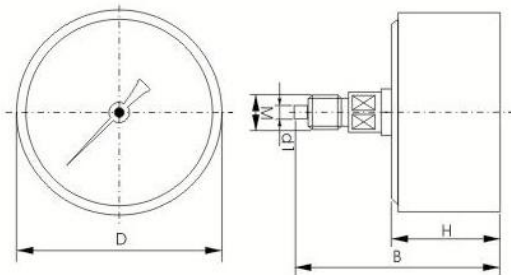
径向直接安装
Radial direction installation



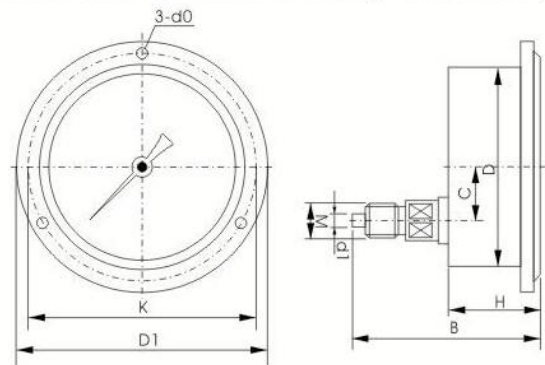
径向凸装（径向带后边）
Radial surface mounted installation (With Back Side)



轴向直接安装
Axial direct installation



轴向嵌装（轴向带前边）
Axial surface concaved installation (With Front Side)



外形尺寸 Outer Size

型号 Type	D	D1	K	d0	A	B	C	H	L	M
Y-40	φ 40			φ 4	8	38		23	10	M10 × 1
Y-40Z	φ 40			φ 4		39		23	10	M10 × 1
Y-60	φ 60			φ 5	14	57		34	14	M14 × 1.5
Y-60Z	φ 60			φ 5		55		34	14	M14 × 1.5
Y-60ZT	φ 60	φ 85	φ 72	φ 5		60		37	14	M14 × 1.5
Y-100	φ 100			φ 6	20	88		45	20	M20 × 1.5
T-100ZT	φ 100	φ 130	φ 118	φ 6		90	32	48	20	M20 × 1.5
Y-150	φ 150			φ 6	20	116		51	20	M20 × 1.5
Y-150ZT	φ 150	φ 180	φ 165	φ 6		96	53	50	20	M20 × 1.5
Y-250	φ 250			φ 6	25	170		60	20	M20 × 1.5

特种介质压力表 Special Pressure Gauge



概述 Summary

Yo系列氧气压力表：适用于测量氧气的压力；

Ya系列氨用压力表：适用于测量氨气的压力；

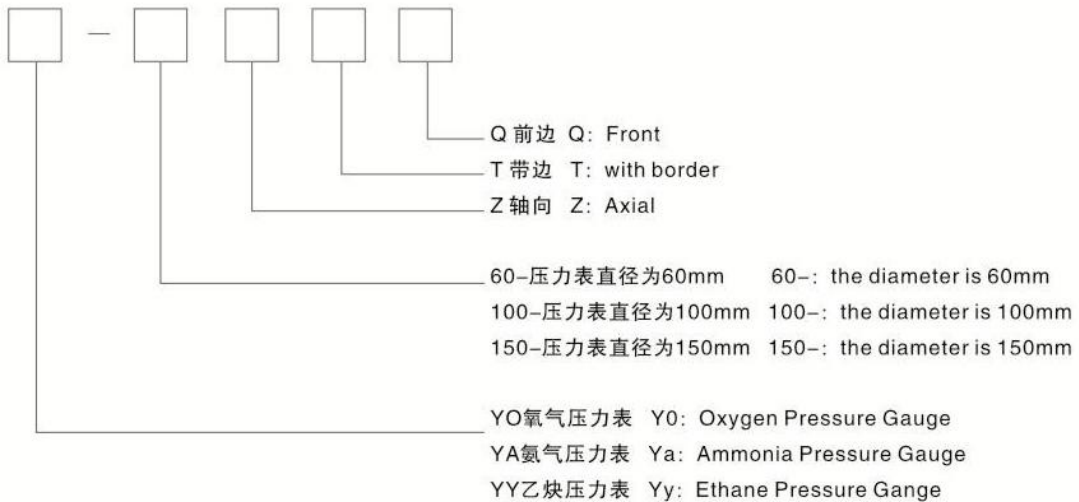
Yy系列乙炔压力表：适用于测量乙炔气体的压力。

Yo series Oxygen Pressure Gauge, suitable for measuring the pressure of Oxygen

Ya series Ammonia Pressure Gauge, suitable for measuring the pressure of ammonia

Yy series Ethane Pressure Gauge, suitable for measuring the pressure of ethane

型号命名 Model Name



Y-B系列不锈钢压力表 Y-B Seride S.S.Pressure Gauge

用途 Application

该系列压力表的零件采用耐腐蚀的不锈钢材料及耐腐蚀的合金材料制成。仪表具有良好的耐腐蚀性能，可广泛应用于石油、化工、冶金、矿山、电力及食品行业，可测量对铜、铁等金属有腐蚀性，但不结晶的气体、液体压力。

The parts of this series are made up of cauterization-resisting S.S. and alloy material. The gauge has good cauterization-resisting performance, can be used widely in petroleum, chemical, metallurgy, mine, power and food industries, measuring the pressure of gas and liquid which have cauterization function to cooper, iron etc, but never makes them crystallized.



结构原理 Structure Principle

仪表由导压系统(包括接头、弹簧、限流螺钉等)、齿轮传动机构、示数装置(指针与度盘)和外壳(包括表壳、表盖、表玻璃等)所组成。外壳为气密型结构，能有效地保护内部机件免受环境影响和污秽侵入。

The gauge is made up of pressure-conducting system (including header, spring, flux-limiting bolt), gear turning parts, display parts (needle and dial) and sheath (sheath, cover, glass etc). The structure of sheath is sealed style this can protect the inner parts from circumstance affection and dirt.

主要技术指标 Main Technic Indicator

产品型号 Model#	测量范围MPa Measuring Range	精确度等级 Accuracy Class
Y-60BF Y-60ZBF	0~0.6、1、1.6、2.5、4、6、 10、16、25、40、60 -0.1~0.5、0.9、1.5、2.4	2.5
Y-100BF Y-100ZBF Y-150BF Y-150ZBF	0~0.1、0.16、0.25、0.4、0.6、 1、1.6、2.5、4、6、10、16、 25、40、60 -0.1~0、0.06、0.15、0.3、 0.5、0.9、1.5、2.4	1.0 1.6

注：特殊订货，请在合同上注明。

Note, the data in bracket is for special order only

主要零部件材质 Materials of main components

零件名称Name	材料牌号Material Tag	
	Y-60B	Y-100B、Y-150B
接头 Connection Header	0Cr18Ni9(304)	0Cr17Ni12Mo2(316)
弹簧管 Spring Tube	Cr18Ni9Ti(321)	0Cr17Ni12Mo2(316)
外壳 Thermowell	1Cr18Ni9	

型号命名 Model named



例：Y-100BF为Φ100mm，径向不锈钢防腐压力表
Y-150ZBF为Φ150mm，轴向不锈钢防腐压力表
YZ-150ZBF为Φ150mm，轴向不锈钢防腐压力真空表。
Example: Y-100BF, Φ100mm, radial, S.S. cauterization-resisting pressure gauge;
Y-150ZBF, Φ150mm, axial S.S. cauterization-resisting pressure gauge
YZ-150ZBF, Φ150mm, axial S.S. cauterization-resisting vacuum pressure gauge.

▶ **使用环境温度 Operation Circumstance**

- 25 ~ 70°C(外壳内充液)
- 40 ~ 70°C(外壳内不充液)
- 25 ~ 70°C(fillinliquid in sheath)
- 40 ~ 70°C(fnon fiqng liquid in sheath)

▶ **温度影响 Temperature Affection**

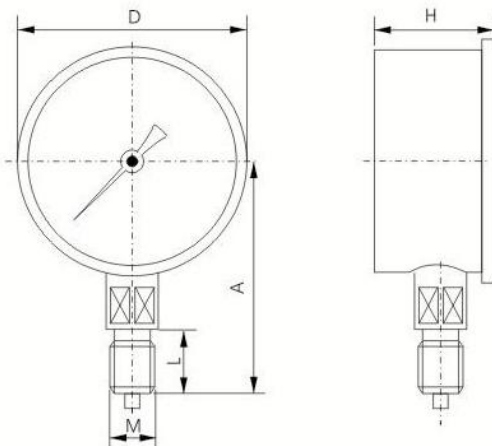
使用温度偏离20 ± 5°C时；仪表示值误差=±(基本误差+0.04% × Δt)
the error of using tempe ratu re is 20 ± 5°C

▶ **抗工作环境振动 Vibration Resistirng**

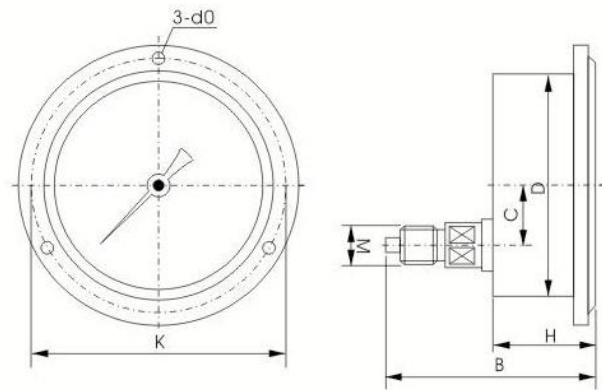
- V · H · 3级
- V · H · 3Class

▶ **外形尺寸 Outer Size**

◇ 径向Radia



◇ 轴向Axial



D	K	d0	B	C	L	H	A	接头螺纹M Connection Thread
Φ60	Φ76	Φ4.5	≤60	Φ60	14	36	66	M14×1.5; G1/4"
Φ100	Φ116	Φ4.8	≤100	≤35	20	50	98	M20×1.5;
Φ150	Φ165	Φ5.8	≤125	≤60				

★：注：连接螺纹可按客户要求特殊加工

Note: The connection thread can be ordered according to user's special requests

Y-B系列精密压力表 Y-b series precision pressure gauges

产品展示 Product display

类型 Type	型号标示 Code	精度 Accuracy	类型 Type	型号标示 Code	精度 Accuracy
径向结构 Bottom Connection 标准型 Standard Type	YB-160. AO.200 (YB-160)	BAA ($\pm 0.25\%$) BAA ($\pm 0.4\%$)	径向结构 Bottom Connection 不锈钢防腐型 Stainless steel corrosion-proof type	YBH-160. AO.500 (YBF-160)	BAA ($\pm 0.25\%$) BAA ($\pm 0.4\%$)

产品简介 Product overview

精密压力表可用来检验工业用普通压力表，亦可直接用于对介质压力的高精度测量。YB型系列精密压力表可在对铜合金无腐蚀性的场所中使用。

YBF型系列则适用于多种腐蚀性的环境场所，可对具有腐蚀性的介质中进行高精度的测量。160系列精密压力表采用MPa刻度值直接读取盘面。

The test pressure gauge can be used to check common pressure gauge which is using in the industry process, and it can be used directly to do high precision measuring. YB type test pressure gauge can work perfectly in the occasion without corrosion to copper alloy.

YBF type can work in varies corrosion environments to do high precision measurement in the corrupt medias. Ds160 series gauge supports MPa in the scale.

技术参数 Technical specifications

YB

精度等级: $\pm 0.25\%$; $\pm 0.4\%$

测量范围: 0.1至60MPa

波登管/接头: 0-6MPa为磷青铜C型波登管与黄铜接头锡焊接

仪表机芯: 铜合金带宝石轴承

仪表连接: M20x 1.5外螺纹(可选其他标准连接)

仪表外壳: 铁喷黑塑

仪表度盘: 白色铝制, 黑色刻度线。

表针: 65Mn锰, 黑色刀锋式

YBF

波登管/接头: 0-6MPa不锈钢C型波登管与不锈钢接头氩弧焊接;

10-60MPa不锈钢螺旋波登管与不锈钢接头氩弧焊接。

仪表外壳: 不锈钢本色

其他同上

YB

Accuracy: $\pm 0.25\%$; $\pm 0.4\%$

Range: 0.1 to 60MPa

Burdon tube: 6MPa-to- tin welding between phosphor bronze C-type burdon tube and brass.

Movement: Copper alloy

Connection: M20x1.5(M)

(Other standard connections available)

Case: Steel case with black painted

Dial: White aluminum, black scale line

Pointer: 65Mn, Steel, knife end

YBF

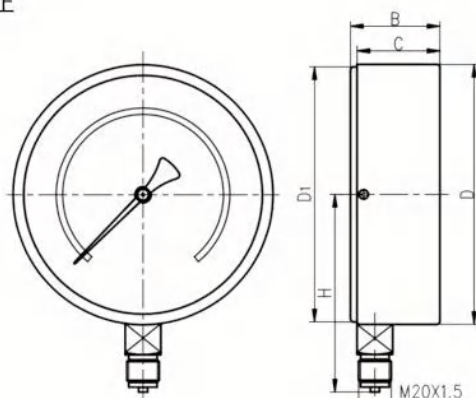
Burdon tube/socket: 0-6MPa argonarc welding

between stainless 10-60MPa argonarc welding

between stainless steel helical tube and stainless steel socket.

Case: SUS304 stainless steel

YBF Other features as YB



几何尺寸图 DIMENSIONS 单位 Unit(mm)

可选择型号 Type code	D	D1	B	C	H
PB-160H	160	157	55	51	122

如何选型HOW TO ORDER

	型号代码 CODE	特性说明 CHARACTERISTICS						
Basic type 基本型号	YB	精密表/铜合金/标准型 Test pressure gauge / Copper alloy/Standard						
	YBH	精密表 /不锈钢/标准型 Test pressure gauge / Stainless steel/Standard						
Diameter 外径	160	Φ160						
Mounting 安装方式	AO	径向直接安装 Lower mounting						
Design 设计代码	200	铁外壳/螺钉上紧式 Steel case / fixed with screw						
	500	不锈钢外壳/螺钉上紧式 Stainless steel case /fixed with screw						
Ranges 量程	M110	请参看量程代码表See range table						
Connection 连接尺寸	M20	M20x1.5						
	T00	其他连接标准Other connections						
Options 备选项	BAA	± 0.25级						
	BBA	± 0.4级						

量程范围规格代码表TABLE OF RANGES

选型代码 code	量程规格 ranges	选型代码 code	量程规格 ranges	选型代码 code	量程规格 ranges
M030	0.1MPa	M140	1.6MPa	M230	16MPa
M040	0.16MPa	M160	2.5MPa	M240	25MPa
M060	0.25MPa	M180	4MPa	M280	40MPa
M080	0.4MPa	M200	6MPa	M270	60MPa
M120	1MPa	M220	10MPa		

YN系列抗振压力表

YN Series Vibration-resisting Pressure Gauges

用途 Application

YN系列抗振压力表。具有良好的抗振性能，特别适用于有机械振动和有介质脉动的工作环境。可测量无爆炸危险，无结晶体的液体、气体、蒸汽等介质。

YN series have good vibration-resisting performance, Suitable for the working circumstance with mechanical vibration and medium pulse. They can be used to measure the liquid, gas and steam mediums without explosion danger and crystallization.



产品优点 Advantages

1) YN系列抗振压力表的外壳、接头、机芯、弹性元件等主要元器件，均采用不锈钢材料。产品既美观又耐腐蚀。

2) YN系列抗振压力表，表盖与表壳用卡口式结构连接，密封性能可靠。

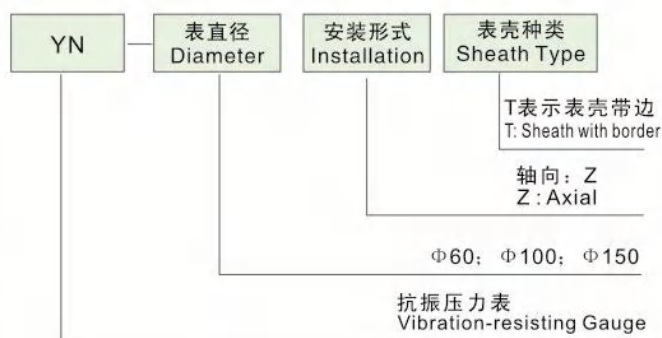
3) YN系列抗振压力表，结构设计合理，制作工艺可靠，具有优越的抗振性能。

1) The main parts, Sheath, connection header, core, spring elements etc, are made up of stainless steel materials. So they are not only handsome but cauterization-resisting.

2) YN using bayonet to connect the cover and the case, the YN series have reliable seal performance.

3) YN series have reasonable design and reliable production process, so have ascendant vibration-resisting performance.

型号命名 Model named



主要技术指标 Main Technic Indicator

产品型号 Model #	YN-60	YN-100	YN-150	YN-200
公称直径 Nominal Diameter	Φ60	Φ100	Φ150	Φ200
接头螺纹 Connection Thread	M14×1.5	M20×1.5		
精确度等级 Accuracy Class	2.5	1.6	1.0; 1.6	
测量范围MPa Measuring Range(MPa)	0~0.1; 0~0.16; 0~0.25; 0~0.4; 0~0.6; 0~1; 0~1.6; 0~2.5; 0~4; 0~6; 0~10; 0~16; 0~25; 0~40; 0~60;			
抗振等级 Vibration-resisting Class	V.H.4级			
使用环境条件 Operation Circumstance	温度-40~70℃; 相对湿度≤85% Temperature: -40~70℃, Relative Humidity: 85% or smaller.			

防护等级: IP65 Protection Class: IP65

工作压力 Working Pressure

静负荷: 测量上限值

交变负荷: 测量上限值的0.9

Static Load: Measure the upper limit

Alternating Load: Measure 0.9 times of upper limit

接头连接 Header Connection

径向或轴向

M20×1.5

或按约定的特殊要求

Radial or AXial

M20×1.5

Or due to the appointed special request

测压元件材质: 不锈钢 Material of Measurement Element: Stainless Steel

机芯: 不锈钢 Core: S.S.

充液: 99.7%硅油或约定其它类别 Filling Liquid: 99.7% silicon oil or others.

YX、YXC系列电接点压力表

YX, YXC Series Electric Contact Pressure Gauge

用途Application

电接点压力表广泛应用于石油、化工、冶金、电站等一般压力表允许工作的场所。仪表与相配的电气器件中，即可实现被测的系统的自动控制的目的。

YX-为缓接点位式开关压力表

YXC-为磁助式接点位式开关压力表

YXN-为抗振电接点压力表

This series are used widely in Petroleum chemical metallurgical and power station. by cooperating with the electric parts. they can realize the auto control of measured system.

YX-Retarded contact Pressure Gauge

YXC-Magnet Contact Switch Pressure Gauge

YXN-Vibration-resisting Electric Contact Pressure Gauge

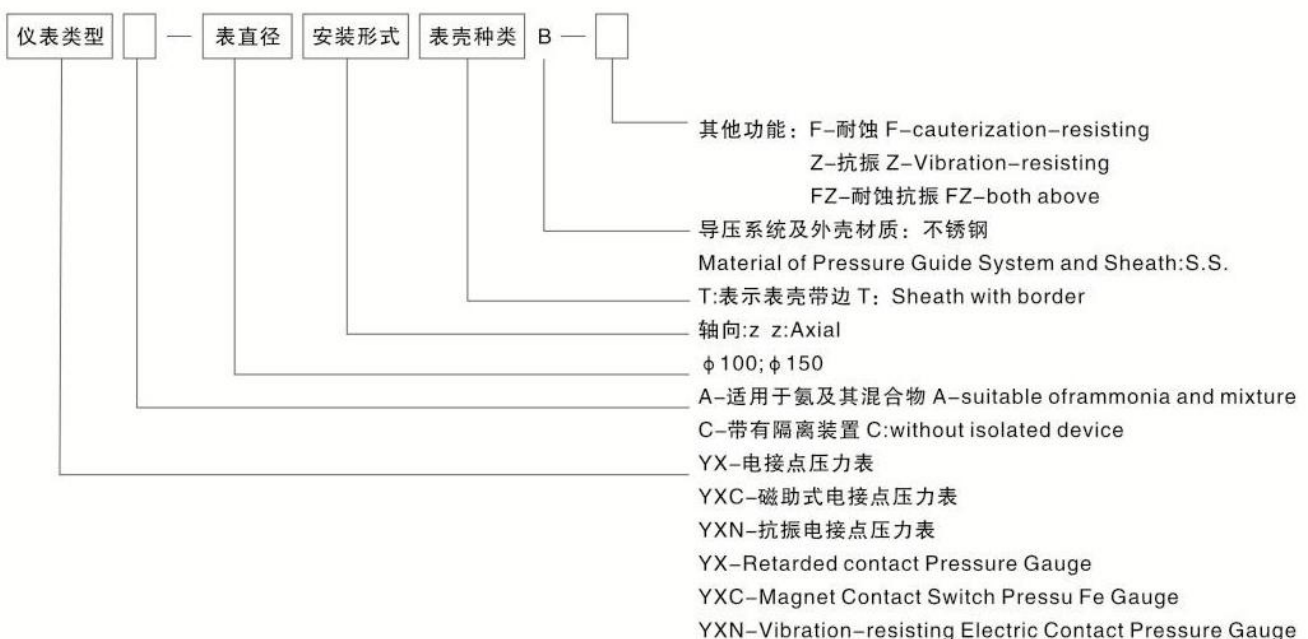


结构原理Structure Principle

仪表由测量系统、指示装置、电接头装置、外壳、调整装置和接线盒等组成。仪表的工作原理，基本压力表在压力作用下，指针(在此仪表中被称为活动指针)，指示上升，当活动指针与电接头系统中的上限设定指针接触时，仪表发出一个电信号给控制系统，使压力系统的动力源停止继续工作。反之，当活动指针与电接头系统中的下限设定指针接触时，仪表又发出一个电信号给控制系统，使压力系统的动力源重新工作给系统增压。

The instruments are made up of measurement system, electric contact device, adjustment device, and the case. Principle: Under the pressure the needle (named active needle in this instrument) of basic pressure gauge will raise, when the needle contact to the upper limit, signal will be transferred to control system, this will make the resource pressure stop working. On the contrary, when the active needle contact to the lower limit, signal will be transferred to control system, this will make resource pressure system add the pressure to system again.

型号命名Model named



主要技术指标 Main Technic Indicator

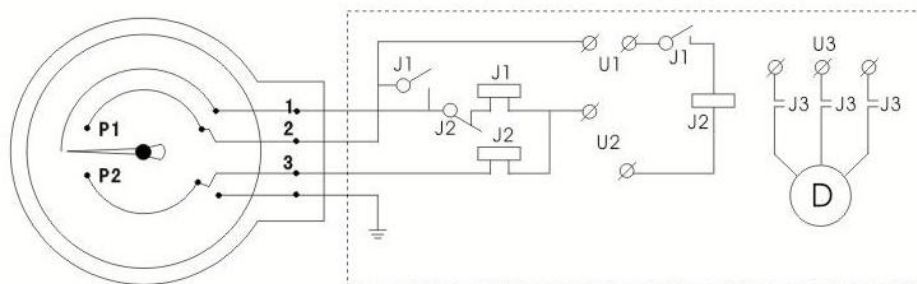
产品型号 Model #	YX-100 YXC-100 YXN-100	YX-150 YXC-150 YXN-150
公称直径 Nominal Diameter	Φ100	Φ150
接头螺纹 Connection Thread	M20×1.5	M20×1.5
精确度等级 Accuracy Class	1.6	1.6
测量范围 MPa Measuring Range	YX	0~0.1; 0~0.16; 0~0.25; 0~0.4; 0~0.6; 0~1; 0~1.6; 0~2.5; 0~4; 0~6; 0~10; 0~16; 0~25; 0~40; 0~60;
	YXC	-0.1~0.06; -0.1~0.15; -0.1~0.3; -0.1~0.5 -0.1~0.9; -0.1~1.5; -0.1~2.4
	YXN	-0.1~0
抗振性能 Vibration-resisting Class	YX系列, YXC系列: V.H.3级 YX, YXC Series: V.H.3 Class YXN系列: V.H.4级 YXN Series: V.H.4 Class	
使用环境条件 Operation Circumstance	YX系列, YXC系列: -40~70℃ YX, YXC Series: -40~70℃ YXN系列: -25~55℃ YXN Series: -25~55℃	

温度影响: 示值不大于0.4%/10℃, 设定点不大于0.6%/10℃(使用温度偏离20±5℃)
 Temperature affection: display data is 0.4%/10℃ or smaller, the appointed point is 0.6%/10℃

接点装置电气参数及控制形式 The Electric Parameter and Control of Contact Device

触点功率 Contact Power	最高工作电压 Highest Working Voltage	最大工作电流 Biggest Working Current	控制形式 Control
30VA(阻性负载) 30VA(resistance load)	220V D. C或380V A. C	1A	上下限、双上限、双下限 upper and lower rlimit, dual upper limit dual lower rlimit

电接点压力表电气线路示意图: Electrical Circuit Chart of Electric Contact Pressure Gauge



YTZ-150系列远传压力表

YTZ-150 Series Remote Control Pressure Gauge

用途 Application

该系列压力表适用于一般压力表适用的工作环境场所。仪表既能直观显示出被测压力值，同时又可输出相应的电阻值。将输出的电阻值输入远端的二次仪表上，以实现集中检测和远程控制。

This series are used in the occasions which the normal pressure gauges work. Not only can they display the measured pressure data, but also can output the corresponding resistance data. Then input the outputted resistance data to the remote second gauge, this can realize the centralized checking and remote control.



结构原理 Structure Principle

本仪表由一个弹簧管压力表和一个滑线电阻式发送器等组成。

仪表机械部分的作用与一般弹簧管压力表相同，由于电阻发送器设置在齿轮传动机构上，因此当齿轮传动机构中的扇形齿轮轴产生偏转时，电阻发送器的转臂(电刷)也相应地得以偏转，由于电刷在电阻器上滑行，使得被测压力值的变化变换为电阻值的变化，而传至二次仪表上，指示出一一相应的读数。同时，一次仪表也指示出相应的压力值。

The Gauge is made up of a spring tube pressure and a slip line resistance transmitter. The function of mechanical part of gauge is the same as the normal spring tube pressure gauge, because resistance transmitter is fixed on a turnable gear. When the fan-shaped gear appear deflexion, the electric brush of resistance transmitter will reflex accordingly, this will transfer the change of measured Pressure to the change of resistance, then transmit the data to the second gauge, display the corresponding data one by one. Meanwhile, the first gauge will display the corresponding data also.

主要参数 Main Parameter

产品型号 Model #	YTZ-150	
公称直径 Nominal Diameter	φ 150	
接头螺纹 Connection Thread	M20 × 1.5	
精确度等级 Accuracy Class	1.6	
测量范围 MPa Measuring Range	YZZ	-0.1~0.06; -0.1~0.15; -0.1~0.3; -0.1~0.5; -0.1~0.9; -0.1~1.5; -0.1~2.4
使用环境条 Circumstance	温度 -40~70°C; 相对湿度 ≤ 85% Temperature, -40~70°C; Relative Humidity ≤ 85%	
电参数 Electric Parameter	电阻满量程: 0~400 Ω Resistance Full Span: 0~400 Ω 起始量程: ≤ 30 Ω Started Range ≤ 30 Ω 满上限电阻: ≤ 370 Ω Full Upper limit ≤ 370 Ω 接线端外加电压 ≤ 6V: Outer Added Voltage ≤ 6V	

主要技术指标 Main Technic Indicator

精确度等级: 1.5

发送器起始电阻值: 30 Ω

发送器满度电阻值: 370 Ω

发送器接线端1、2外加电压不大于6V

Accuracy Class: 1.5

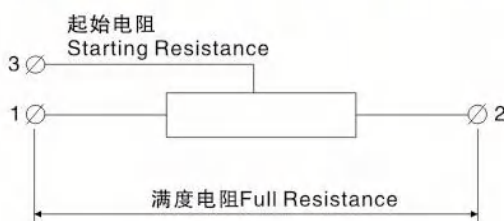
The started resistance of transmitter: 30 Ω

The full resistance of transmitter: 370 Ω

The outer added voltage shouldn't be over 6V for the connection end of transmitter

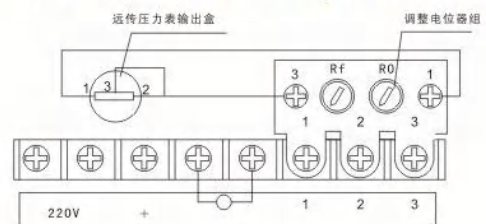
滑线电阻式发送器接线图

Wiring Connection Chart Of Transmitter

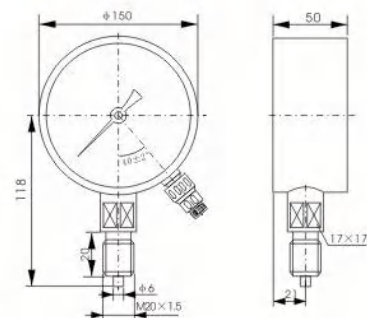


配置二次仪表

Chart of Second Gauge Installation



外形尺寸 Outer Size



YP系列膜片压力表/YPF系列防腐膜片压力表

YP Series Diaphragm Pressure Gauge, YPF Series Cauterization-resisting Diaphragm Pressure Gauge

用途Application

膜片压力表适用于测量具有一定腐蚀性、非凝聚或非结晶的各种流体介质的压力或负压。

This series are used to measure the pressure or loading pressure of each kind of liquid medium with cauterization, without freezing, or non-crystallization.

结构原理Structure Principle

仪表由测量系统(包括法兰接头、波纹膜片)、传动指示机构(包括连杆、齿轮传动机构、指针和度盘)和外壳(包括表壳和罩圈)等组成。仪表外壳为防溅结构,具有较好的密封性,故能保护其内部机构免受污秽浸入。

仪表的作用原理是基于弹性元件(测量系统上的膜片)变形。在被测介质的压力作用下,迫使膜片产生相应的弹性变形——位移,借助连杆经传动机构的传动并予放大,由固定于齿轮上的指针逐将被测值在度盘上指示出来。

The gauge is made up of measurement system(including flange connection head, ripple diaphragm), turnable display parts(including connection rod, needle, dial), and crust(including crust and cover ring)The crust is made up of bespatterment proof structure, has good seal performance, so can protect the inside from bespattering.

The working principle is basic on the spring element(the diaphragm on the measuring system). Under the pressure from measured medium, the diaphragm will transfigure accordingly, referring to the connection rod to make the turnable part circle and blowup, then the needle will display the data.



主要技术指标Main Technic Indicator

精确度等级: 2.5

使用环境温度: $-40 \sim +70^{\circ}\text{C}$; 相对湿度不大于90%。

温度影响: 使用温度偏离 $20 \pm 5^{\circ}\text{C}$ 时, 其温度附加误差小于 $0.4\%/10^{\circ}\text{C}$ 。

工作位置: 垂直安装。

外壳防护等级: IP64。

Accuracy Class: 2.5

Operation Temperature: $-40 \sim +70^{\circ}\text{C}$ Relative humidity $\leq 90\%$.

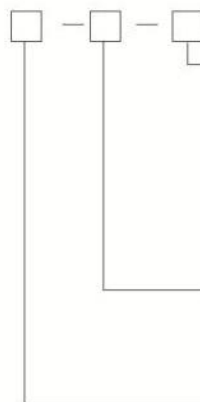
Temperature affection: when the difference is $20 \pm 5^{\circ}\text{C}$.

the additional error Should be $0.4\%/10^{\circ}\text{C}$ or smaller.

Working Location: upright installation.

Protection Class of Crust IP 64.

型号命名Model named



类型

L: 螺纹连接

M20 × 1.5外螺纹接口

F: 法兰连接

L: Screw Thread Connection, M20 × 1.5

F: flange

表壳外径O.D.Of Crust

100: $\phi 100\text{mm}$

150: $\phi 150\text{mm}$

YP-膜片压力表

YPF-防腐膜片压力表

YP-Diaphragm Pressure Gauge

YPF-Cauterization-resisting

Diaphragm Pressure Gauge

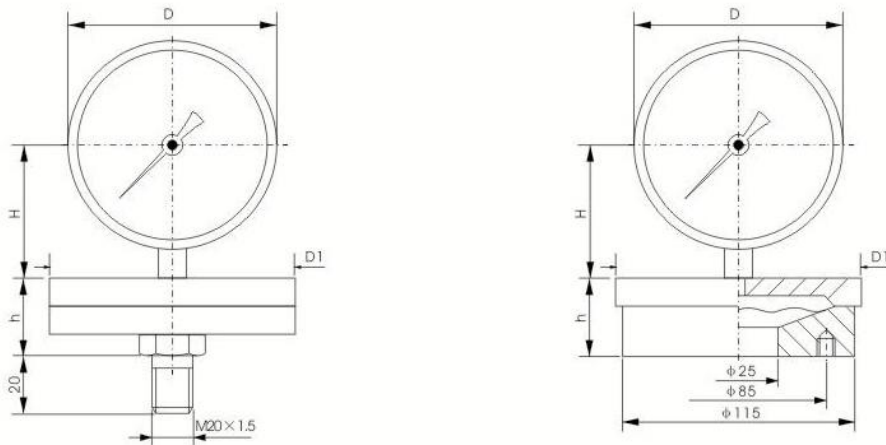
测量范围及尺寸 Scale Range and Size

型号 Type	测量范围 Scale Range	承受部尺寸D1 Size of Loading Part	表壳外径D O.D.of Crust
YP-100L	0-0.06;0-0.1;0-0.16;0-0.25;0-0.4; 0-0.6;0-1;0-1.6;0-2.5;	φ 85	φ 100
YPF-100L YPF-100F		φ 115	
YP-150L	-0.1~0;-0.1~0.06;-0.1~0.15;-0.1~0.3; -0.1~-0.5;-0.1~0.9;-0.1~1.5;-0.1~2.4MPa	φ 85	φ 150
YPF-150L YPF-150F		φ 115	

导压系统及外壳等主要零件的材质

型号 Type	名称 Name	导压系统Pressure-conducting system			表壳材料 Material of Crust
		膜片 Diaphragm	法兰接头 Flange Connector	密封垫圈 Sealed Washer	
YP-100L 150L	膜片压力表 Diaphragm Pressure Gauge	Cr15Ni7Mo (PH15-7Mo) 316(≤40KPa)	1Cr18Ni9	丁腈橡胶 Butadiene- acrylonitrile rubber	铸铝 Cast Al
YPF-100L 150L	不锈钢膜片压力表 S.S.Diaphragm Pressure Gauge			聚四氟乙烯PTFE	1Cr18Ni9
YPF-100F 150F	法兰不锈钢膜片压力表 Flange S.S.Diaphragm Pressure Gauge				

外形Outer Shape



参数 Parameter	YP-100	YPF-100L	YPF-100F	YP-150	YPF-150L	YPF-150F
D	φ 100	φ 100	φ 100	φ 150	φ 150	φ 150
H	66	66	66	90	90	90
h	32	32	36	32	32	36

YE系列膜盒压力表

YE Series Gauges with Capsule Elements

用途Application

膜盒压力表适用于测量对铜合金不起腐蚀作用，无爆炸危险和微压和负压。广泛应于锅炉通风和气体管道等设备上，本仪表可以就地安装并现场指示。

YE-75膜盒压力表具有体积小等特点。

This series are used to measure the light pressure or loading pressure of each kind of liquid medium without cauterization and explosion danger They are used widely in boiler pipe and gas tube, can be installed and controlled locally Having advantages such as small volume etc.



结构原理Structure Principle

仪表由测量系统(包括法兰接头、波纹膜片)、传动机构(包括连杆、齿轮传动机构)，指示部件(指针和度盘)和外壳(包括表壳和衬圈、玻璃)等组成。

仪表的作用原理是基于波纹膜盒在被测介质的压力作用下，其自由端产生相应的弹性变形，再经拔杆—齿轮传动机构的传动并予放大，由固定于齿轮上的指针逐将被测值在度盘上指示出来。

The gauge is made up of measurement system(including flange connection head, ripple diaphragm), turnable parts(including connection rod), display parts(needle, dial), and crust(including crust and washer, and glass).

The working principle is, when the ripple capsule element under the pressure from measured medium the free end will raise transfiguration accordingly, referring to the connection rod to make the turnable part circle and blow up. then the needle will display the data.



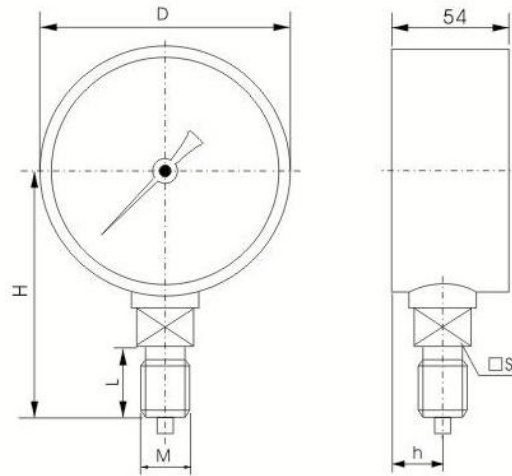
主要技术指标Main Technic Indicator

型号 Type	标度范围KPa Scale Range			精确度等级 Accuracy Class
	正压 Positive pressure	负压 Negative pressure	正负压 Both	
YE-75 YE-100 YE-150	0~1.6	-1.6~0	-0.8~+0.8	2.5
	0~2.5	-2.5~0	-1.2~+1.2	
	0~4	-4~0	-2~+2	
	0~6*	-6~0	-3~+3	
	0~10*	-10~0	-5~+5	
	0~16*	-16~0	-8~+8	
	0~25*	-25~0	-12~+12	
0~40*	-40~0	-20~+20		

注：YE-75、100仅生产带*规格。

Note:YE-75,100,we only produce the items with*

外形尺寸 Outer Size



型号 Type	D	H	L	M	h	□S
YE-75	φ 77	71	14	M14 × 1.5	14	□17
YE-100	φ 100	90	20	M20 × 1.5	17	□22
YE-150	φ 150	118	20	M20 × 1.5	17	□22

使用环境温度：-25~+55℃；相对温度不大于80%

Operation Temperature -25~+55℃.

并且周围空气中不含有腐蚀仪表的有害气体。

and there is no harmful gas which has cauterization affection to instrument.

温度影响：使用温度偏离20 ± 5℃时；仪表示值误差= ± (基本误差+0.04% × Δt)

Temperature affection: when the difference is 20 ± 5℃, the additional error should be 0.4%/10℃ or smaller

工作位置：垂直安装。

Working Location, vertical installation

外壳防护等级：IP64

Protection Class of Crust, IP64

导压系统及外壳等主要零件的材质

Material of Pressure Conducting System and Main Components

零件名称Name	材料牌号Material Tag
接头Connector	黄铜HPb59-1 Brass
膜盒Capsule Elements	锡青铜QSn65 Bronze
齿轮传动机构Gear Turnable Parts	黄铜HPb59-1 Brass
表壳、罩壳Crust, Cover	冷轧钢板20 Cole rolled steel sheet

YE-100B不锈钢膜盒压力表 YE-100B Series S.S.capsule gauges

用途Application

不锈钢膜盒压力表参照普通膜盒压力表的结构特点而研制的具有耐腐蚀作用的微压力表。应用于锅炉通风和气体管道等设备上，在耐腐要求较高的工艺流程中测量各种流体介质的微压和负压。为国内用户对引进的国外先进技术设备中同类仪表实现国产化的理想配套产品。

This series are light pressure gauges with cauterization resisting referring to the structure of normal gauges with capsule, used in the equipment of boiler pipe and gas tube to measure the light pressure or loading pressure of each kind of liquid medium which have higher request of cauterization-resisting.They are the good choices for the civil users.



结构原理Structure Principle

仪表由测量系统(包括法兰接头、波纹膜片)、传动机构(包括连杆、齿轮传动机构)，指示部件(指针和度盘)和外壳(包括表壳和衬圈、玻璃)等组成。

仪表的作用原理是基于波纹膜盒在被测介质的压力作用下，其自由端产生相应的弹性变形，再经拨杆一齿轮传动机构的传动并予放大，由固定于齿轮上的指针将被测值在度盘上指示出来。

在结构上配有保护装置，防止膜盒由于过载后使膜盒变形，还有调零装置，可以方便调整零位。

The gauge is made up of measurement system(including flange connection head,ripple diaphragm),turnable parts(including connection rod),display parts(needle,dial),and crust(including crust and washer, and glass) The working principle is when the ripple capsule element under the pressure from measured medium the free end will raise transfiguration accordingly,referring to the connection rod to make the turnable part circle and blow up. then the needle will display the data.

There is protection device to prevent the capsule from transfiguration when over loading and there is zero adjustment device also,which can adjust zero point conveniently.

主要技术指标Main Technic Indicator

精确度等级: 2.5 Accuracy Class

测量范围(kPa): Measuring Range

0~2.5; 0~4; 0~6; 0~10; 0~16; 0~25; 0~40; -2.5~0; -4~0; -6~0; -10~0; -16~0;
-25~0; -40~0; -2~2; -3~3; -5~5; -8~8; -12~12; -20~20;

使用环境温度: -25~+55℃; 相对湿度不大于80%。

Operation Temperature: -25~+55℃. Relative Humidity, no bigger than 80%

温度影响: 使用温度偏离20±5℃时, 其温度附加误差应不大于0.4%/10℃

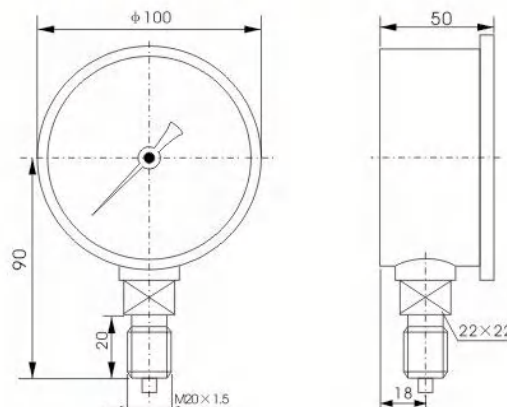
Temperature affection: when the difference is 20±5℃. the additional error should be 0.4%/10℃ or smaller.

抗工作环境振动: V·H·3级 Vibration Protection Class.

导压系统及外壳等主要零件的材质 Material of Pressure Conducting System and Main Components

零件名称Name	材料牌号Material Tag
接头Connector	1Cr18Ni9
膜盒Capsule Elements	1Cr18Ni9
齿轮传动机构Gear Turnable Parts	1Cr18Ni9
表壳、罩壳Crust,Cover	1Cr18Ni9

外形尺寸 Outer Size



YM隔膜压力表

YM Series Diaphragm Seal Pressure Gauge

用途Application

为使通用型压力表能适用于测量强腐蚀、高温、高粘度、易凝固、有固体悬浮物的介质压力以及必须避免测量介质直接进入通用型压力仪表和防止沉淀物积聚且易清洗的场合，应必须采用由隔膜隔离器与通用型压力仪表组成一个系统的隔膜表。

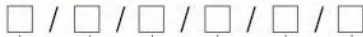
隔膜表主要用于石油化工、制碱、化纤、染化、制药、食品和制酪等工业部门生产过程中测量流体介质压力之用。

In order to make pressure gauge suitable to measure the mediums with strong cauterization, high temperature, high viscosity, easy solidifying, and with solid suspended matter, need to avoid the measured mediums into normal pressure gauge directly and to avoid precipitation, we need to adopt diaphragm seal pressure gauges which made up of diaphragm isolator and normal pressure gauge.

This series products are mainly used in petroleum and chemical industry, basic industry, chemical fiber, dyeing chemical, pharmacy, food and dairying



型号命名Model named



法兰标准代号Standard Flange Code
测量范围Measurement Range

隔膜材料Diaphragm Material
316、316L、哈氏合金、蒙耐尔合金、钽、氟塑料
316, 316L, Hass, Monel, Ta, Fluoroplastic

隔膜隔离器代号Diaphragm Isolator Code

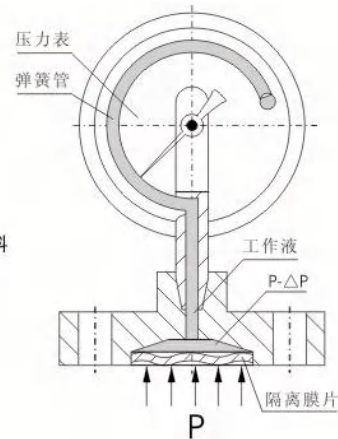
MF: 敞开式突面(≤25MPa)Flange
MG: 工字形(≤4MPa)工Style Flange
ML: 螺纹式(≤60MPa)Screw Thread
MZ: 螺栓式(1~25MPa)Bolt
MH: 均质机用(10~60MPa)For Viscolizer
MC: 夹子式(0.1~2.5MPa)Clamp Type
MN: 螺母式(0.1~2.5MPa)Nut

连接器代号Connection Code

Z: 直接式(被测介质温度<80℃)Direct Type(Temperature of Measured Medium<80℃)
ZN: 阻尼器Damper
SR: 散热器(被测介质温度<200℃)Radiator(Temperature of Measured Medium<200℃)
YL: 硬管连接(被测介质温度<200℃)Hard Pipe(Temperature of Measured Medium<200℃)
RL1/2/4: 软管连接(1、2、4分别代表软管长度m)Soft Pipe, 1, 2, 4 means the length of pipe
GLI: 角形连接(被测介质温度<150℃)Angle(Temperature of Measured Medium<150℃)

通用型压力表型号Model number of normal pressure gauge

推荐用表: Y-100BF Recommended Models: Y-100BF
Y-150BF Y-150BF
YN-100BF YN-100BF
YN-150BF YN-150BF



结构原理Structure Principle

当测量介质的压力P作用于隔膜，则隔膜产生变形，压缩压力仪表测压系统的密封液，使其形成P-ΔP的压力。当隔膜的刚性足够小时，则ΔP也很小，压力仪表测压系统形成的压力就近于测量介质的压力。

When the pressure of measured medium affect the diaphragm, which make the diaphragm transfiguration, and then compress the sealed liquid in pressure measuring system, pressure P-ΔP is formed. When the rigidity of diaphragm is small enough, ΔP will be very small also, the pressure which the pressure measuring system formed will be very near to the pressure of measured mediums

主要技术指标 Main Technic Indicator

隔膜表的温度特性 Temperature Characteristic

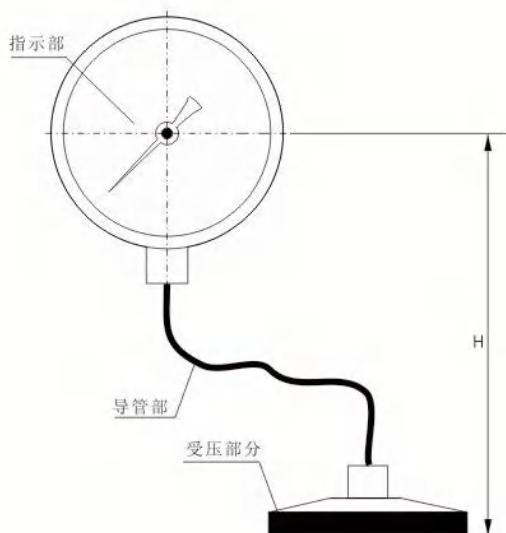
由于隔膜表系统由填充了密封液作为传递压力的介质，由于密封液的温度膨胀系数，使压力仪表随受压部温度升高而示值也升高，其温度影响量与密封液体膨胀系数，隔膜刚度以及受压部温度有关，尤其对于低量程的压力仪表，则影响更明显。一般受压部温度误差规定不大于0.1%/°C。故隔膜压力仪表总的温度影响一般是由通用型仪表温度影响量与隔膜装置受压部温度影响一般是由通用型仪表温度影响量与隔膜装置受压部温度影响量两者之和。

Because it is filled with sealed liquid as the medium for pressure transmitting, when the temperature of pressured part raised the displayed temperature will raise accordingly due to the inflating modulus the temperature affection has relationship with the inflating modulus of sealed liquid diaphragm rigidity and the temperature of pressured part, especially for the pressure gauges with low measure span. Normally, the error of pressured part should not be bigger than 0.1%/°C So, normally the total temperature affection of diaphragm pressure gauge is the sum of normal pressure gauge and the pressured part.

隔膜表液位差 Liquid Pressure Difference

尤其对于带软连接管的隔膜压力表，由于受压部与通用型压力表安装位置不同，会产生如图所示的液位差的影响量 ΔP 。

The gauge with soft pipe installed, if the gauge and the suffer pressure part are not at the same height, there will be a pressure difference ΔP , $\Delta P = \text{sealing liquid density} \times \text{difference between gauge and suffer pressure part}$.



$$\Delta P = d \cdot H$$

d—密封液的比重

H—液位差

隔膜表的耐腐蚀性 Caution-proof

隔膜表的耐蚀性可通过合适的选择与测量介质接触部分的隔膜、法兰及密封垫圈的材料来保证。

The Caution-proof performance can be guaranteed by suitable selection, diaphragm, flange, and sealed washer.

隔膜材料 Diaphragm Material:

0Cr17Ni12Mo2(316);

蒙乃尔合金(Cu30Ni70): Monel (Cu30Ni70)

哈氏合金(HC276): Hass (Hc276)

钽(Ta)及氟塑料(F4): Ta & F4

法兰材料 Flange Material:

不锈钢0Cr17Ni12Mo2(316); S.S 0Cr17Ni12Mo2(316)

不锈钢内衬氟塑料(316+F4) S.S with F4line r

密封垫圈材料 Sealed Washer Material:

丁腈橡胶; Butyl Rubber

氟橡胶; Fluorine Rubber

硅橡胶及氟塑料 Silicon Rubber & Fluorine plastic.

法兰的选择 Flange Selection

现根据GB(中国)、HG(化工部)、JB(机械部)、DIN(德国)、JIS(日本)、ANSI(美国)等法兰标准以及国内实际使用情况编制成常用法兰系列标准，供用户选用，也可以接受用户其他规格的特殊订货。

We worked out flange series standards for users to select according to GB, HG, JB, DIN, JIS, ANSI and actual usage information. And we also accept the special order for other specifications.

密封液的选择 Sealed Liquid Selection

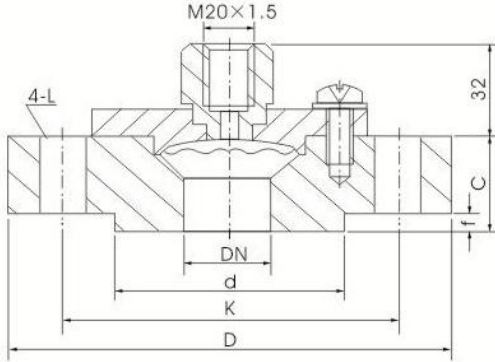
为保证隔膜表使用可靠性和安全性，应根据不同用途选择合适的密封液。

In order to make sure the reliability and safety, we should select the suitable sealed liquid according to the different application.

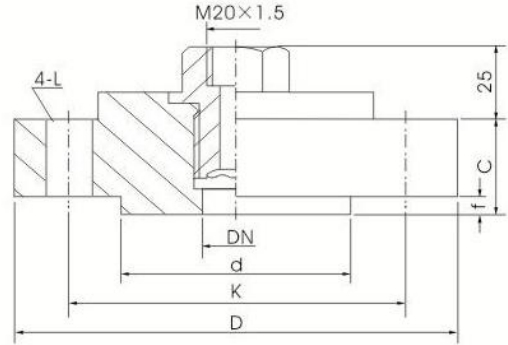
密封液 Sealed Liquid	受压部温度范围 T. Range	比重 g/cm ³	体膨胀系数1/°C Inflating Modelus	用途 Applicator
高粘度硅油 High Viscidity Silicon Oil	-10~200°C	1.07	0.95 × 10 ⁻³	高温用 High Temperature
低粘度硅油 Low Viscidity Silicon Oil	-30~100°C	0.94	1.08 × 10 ⁻³	一般用 Common
甘油水溶液 Glycerin	-5~100°C	1.27	0.61 × 10 ⁻³	食品用 Food
植物油 Plant Oil	-5~100°C	0.93	1.03 × 10 ⁻³	食品用 Food
氟油 Fluorocarbon Oil	-30~150°C	1.93	0.75 × 10 ⁻³	氢氧 Common

隔膜法兰外形及尺寸 Flange Shape and Size

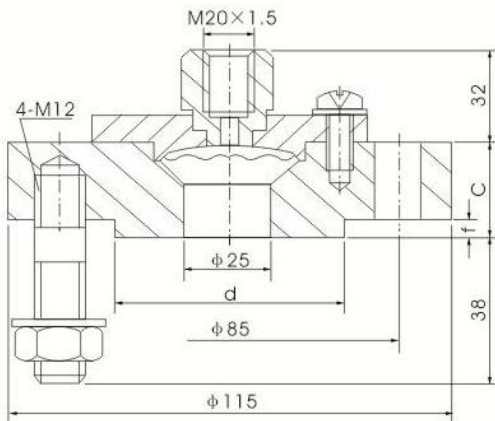
1、敞开式突面法兰 Flange



图一：MF1型 (P≤4MPa)
Drawing 1, MF1 Type



图二：MF1型 (6MPa≤P≤25MPa)
Drawing 2, MF1 Type



图三：MF型 (P≤4MPa)
Drawing 3, MF Type

代号 Code	量程上限值 P (MPa) Code	法兰代号 Flange Code	突面法兰尺寸 (mm) Flange Size							尺寸图 Drawing
			D	K	d	f	L	C	DN	
MF1	4	JIS-10/20K50A	φ 155	φ 120	φ 100	3	19	18	50	图一 Drawing 1
	4	50-1.0/4.0 HGJ46	φ 160	φ 125	φ 100	3	19	18	50	
	4	ANSI-2B 150b	φ 152	φ 121	φ 92.1	3	19	18	2"	
	4	ANSI-2B 300/600B	φ 165	φ 127	φ 92.1	3	19	18	2"	图二 Drawing 2
	6~10	25-10.0 HGJ47	φ 125	φ 89	φ 50.8	7	20	20	25	
	6~10	50-10.0 HGJ47	φ 165	φ 127	φ 92.1	3.5	20	26	50	
16~25	20-25.0 HGJ53	φ 130	φ 89	φ 43	7	22	20	25	图三 Drawing 3	
MF	4	25-4.0DIN	φ 115	φ 85	φ 65	3	M12	26		25

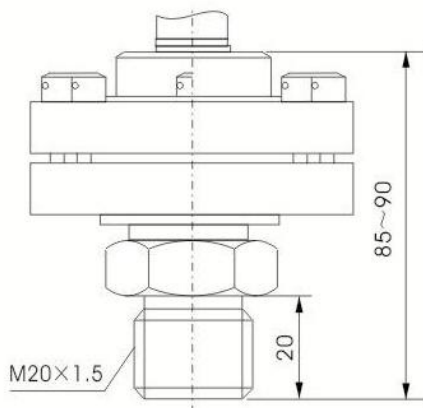
2、工字型突面法兰 “工” Style Flange

法兰代号 Flange Code	法兰尺寸 (mm) Flange Size				
	DN	D	K	d	L
JIS-10/20K25A	25	φ 125	φ 90	φ 70	19
JIS-10/20K20A	20	φ 100	φ 75	φ 58	15
JIS-10/20K15A	15	φ 95	φ 70	φ 52	15
ANSI-1B-150b	1"	φ 108	φ 79.4	φ 50.8	15.7
ANSI-1B-300/600b	1"	φ 124	φ 88.9	φ 50.8	19.1
20-1.0/4.0HGJ47	20	φ 105	φ 75	φ 56	14

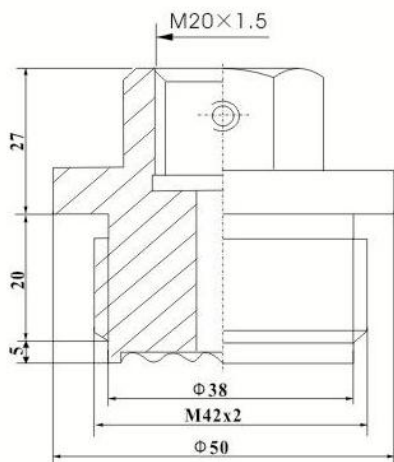
※均可按用户提供或指定的法兰标准尺寸制造。
We can produce according to special standard.

3、螺纹接头式 (代号ML) Screw thread (ML)

量程上限值 ≤ MPa
Scale Upper Range ≤ MPa

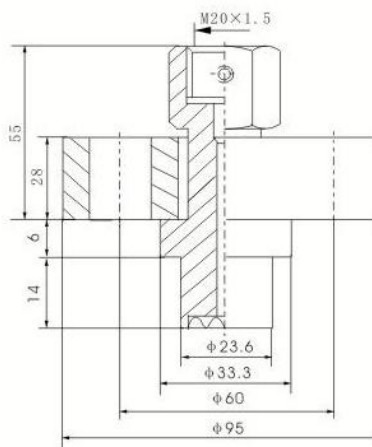
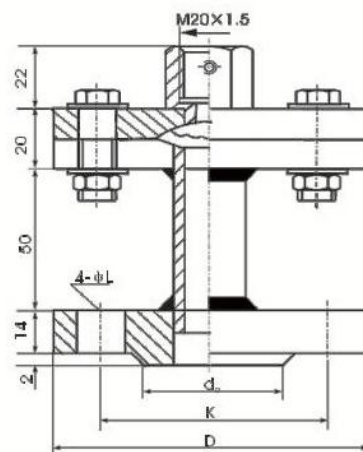


4、螺栓式隔膜隔离器 (代号MZ) Bolt Type Diaphragm Isolator (MZ)

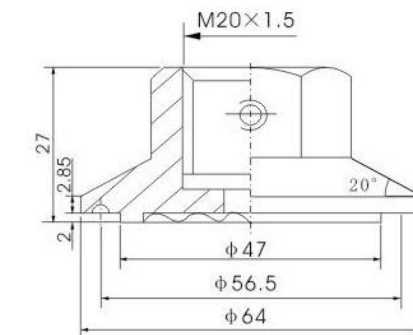


5、均质机用隔膜隔离器 (代号MH) Viscoliaer Diaphragm Isolator (MH)

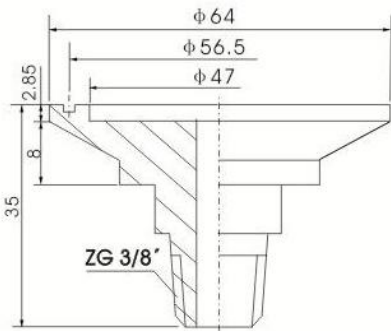
量程范围 10~60 MPa
隔膜和隔膜材料: 0Cr17Ni12Mo2 (316)
Scale Range 10~60 MPa
Diaphragm and diaphragm material: 0Cr17Ni12Mo2(316)



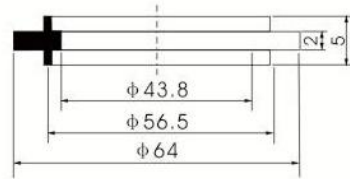
6、夹子式隔膜隔离器 (代号MC) Clamp Type Diaphragm Isolator (MC)



量程范围: 0.1~2.5 MPa
隔膜材料: 0Cr17Ni12Mo2(316)
隔膜座材料: 0Cr17Ni12Mo2(316)
Scale Range: 0.1~2.5 MPa
Diaphragm material: 0Cr17Ni12Mo2(316)
Diaphragm material: 0Cr17Ni12Mo2(316)

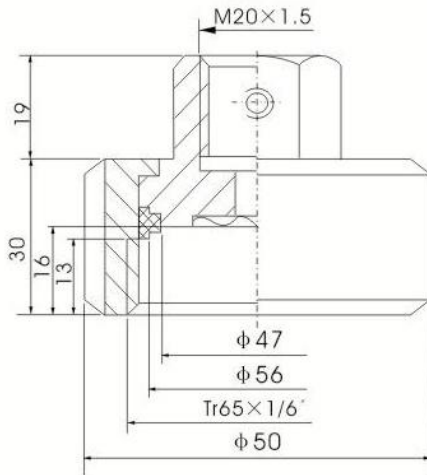


夹子式下座 1Cr18Ni9
Clamp Type Lower Seat 1Cr18Ni9

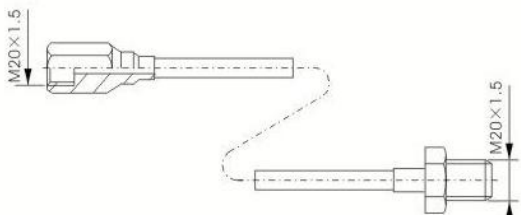
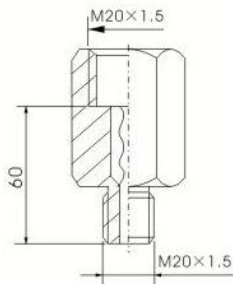


量程范围: 0.1~2.5MPa
隔膜材料: 0Cr17Ni12Mo2(316)
隔膜座材料: 0Cr17Ni12Mo2(316)
螺母套材料: 1Cr18Ni9
Scale Range 0.1~2.5MPa
Diaphragm Material: 0Cr17Ni12Mo2(316)
Diaphragm Material: 0Cr17Ni12Mo2(316)
Nut Sleeve Material: 1Cr18Ni9

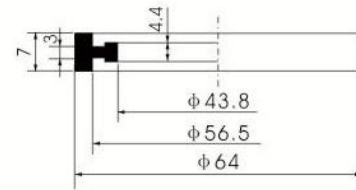
7、螺母式隔膜隔离器 (代号MN)
Nut Type Diaphragm Isolator (MN)



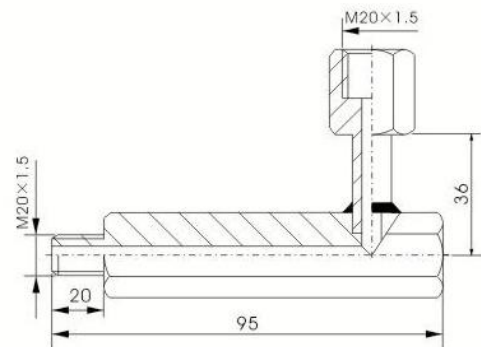
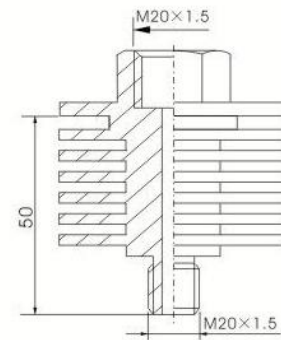
阻尼器 (ZN) 1Cr18Ni9
Damper (ZN) 1Cr18Ni9



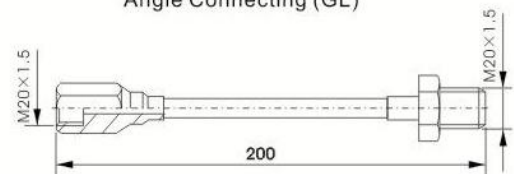
软管接管 (RL) 1Cr18Ni9
Soft Pipe Connecting (RL) 1Cr18Ni9



散热器 (SR) 铜镀镍
Radiator (SR) Copper w/ Ni Plated



角形接管 (GL)
Angle Connecting (GL)



硬管接管 (YL)
Hard Pipe Connecting (YL)

Y-MK(MN)系列卫生型压力表 Y-MK(MN) Series Sanitary Pressure Gauge

用途 Application

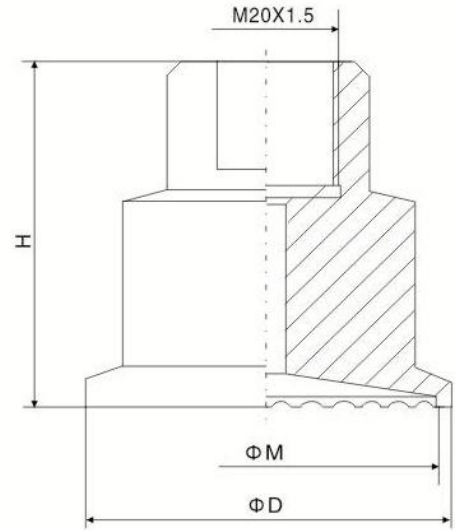
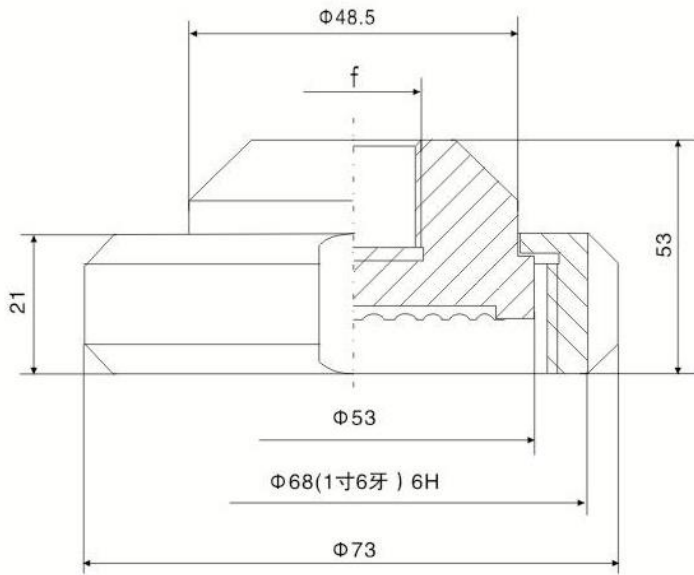
卫生型隔膜密封压力表满足药品生产质量规范(GMP)的要求, 适宜卫生级系统, 在此类系统中, 介质不可与仪表测量系统相接触。隔膜密封不会产生死角或无法排空的区域, 此类仪表具有拆装快捷方便, 不易污染, 便于清洗, 外形美观, 技术性能安全可靠等优点, 可广泛应用于制药, 食品, 饮料, 制酪, 水处理等行业。

Sanitary Diaphragm seal pressure gauge to meet Good Manufacturing Practices (GMP) requirements, suitable for sanitary systems, in such systems, the media is not in contact with the instrument measuring system. Diaphragm seal will not have dead ends or not emptying the region, such instruments have quick and easy disassembly, easy to pollution, easy to clean, beautiful appearance, technical performance, safety and reliability, can be widely used in pharmaceutical, food, beverage, manufacturing cheese, water, etc.

主要技术指标 Main Technic Indicator

卡箍连接卫生型隔膜压力表 Clamp connection Sanitary Diaphragm Pressure Gauge	管螺纹连接卫生型隔膜压力表 Pipe Thread Connection Health diaphragm pressure gauge
	
<p>说明: Description:</p>	
<p>根据不同的测量介质, 应选择不同的隔膜及法兰材料, 保证其耐蚀性能, 常用隔膜及法兰材料为SUS316。 Depending on the measurement of media, should choose a different diaphragm and flange materials to ensure that its corrosion resistance, commonly used diaphragm and flange materials SUS316.</p>	
<p>测量范围0.4-2.5 Mpa, 特殊需要请与本厂协商。 Range 0.4-2.5 Mpa, special needs, please consult with factory.</p>	
<p>测量精度一般为1.6级 Accuracy is generally 1.6</p>	
<p>卫生型隔膜表表头可选充液式或不充液两种, 并可选择本公司生产的其它型号一般不锈钢压力表或耐震压力表与卫生型隔离体相配接。 Sanitary diaphragm outstanding head optional fluid-filled or liquid-filled two, and can choose the company's other models are generally stainless steel pressure gauge or pressure gauge and health-based seismic-body connection match.</p>	
<p>隔离体外形尺寸: 卡箍式法兰尺寸一般为1.5"可选择2"或2.5 Isolated body dimensions: Clamp flange size is generally 1.5 "option 2" or 2.5 "</p>	

规格	H	D	f
1.5"	48	50.5	3/8-24 UNF 2B
2"	48	64	3/8-24 UNF 2B
2.5"	48	77.5	3/8-24 UNF 2B



CYW-B系列差压表

CYW-B Series of differential pressure table

● 用途Application

不锈钢差压表(以下简称仪表)适用于化工、化纤、冶金、电力、核电等工业部门的工艺流程中测量各种液(气)体介质的差压、流量等参数。仪表结构全部采用不锈钢制成，其中的测量系统（双波纹管及连接部件）、导压系统（包括接头、导管等）采用特种奥氏体不锈钢制成，具有较强的耐腐蚀及抗工作环境侵蚀影响。

Stainless steel differential pressure gauge (hereinafter referred to as instrumentation) for chemical industry, chemical fiber, metallurgy, electricity, nuclear power and other industries to measure a variety of process fluid (gas) physical media pressure, flow and other parameters. Instrument used in all stainless steel structure, in which the measuring system (double bellows and connected components), Impulse system (including joints, catheters, etc.) using special austenitic stainless steel, with a strong resistance to corrosion and anti-environment erosion effects.

● 结构原理Structure Principle

仪表采用双波纹管结构，即两只波纹管分别安装在“工”字型支架两侧的对称位置上。“工”字型支架的上下两端分别为活动端和固定端，中间由弹簧片相连接；两只波纹管呈平行状态，分别用导管与表壳上的高低压接头相连接；齿轮传动机构直接安装在支架的固定端，并通过拉杆与支架的活动端相连接；度盘则直接固定在齿轮传动机构上。仪表的工作原理：基于感压元件采用两只具有相同刚度的波纹管，因此同一被测介质下迫使其产生相同的集中力分别作用于活动支架上，由于弹簧片两侧在等力矩作用下不产生扰动，故支架还处于原始位置，这样齿轮传动机构也不动作，使指针仍指在零位。当施加不同压力（一般高压端高于低压端）时，两波纹管作用在活动支架上的力则不相等，使分别产生相应的位移，并带动齿轮传动机构传动并予放大，由指针偏转后指示出两者之间的差压值。

Dual-bellows meter structure, that is two bellows were installed in the "workers" shaped bracket on both sides of the symmetrical position. "Work"-shaped upper and lower ends of the stent were active side and fixed side, the middle connected by a spring; two parallel state bellows were, respectively, on the case with the catheter and connected to high voltage gauge connector; gear transmission mounted directly on the fixed side bracket, and through the rod and bracket activities Duanxiang connection; dial directly on the fixed gear sector. Instrument works: Based on the use of two pressure-sensitive components of the bellows with the same stiffness, so the same test medium, under the same force it to produce a concentrated force acting on the activities of the bracket, respectively, due to both sides in the spring under the action of such torque does not produce interference degree, so stand still in the original location, so no action gear drive mechanism so that the pointer still refers to the zero position. When applied different pressures (usually high end than low end), the two bellows on the role of stents in the event of force is not equal to a corresponding displacement, respectively, and drive transmission and gear transmission mechanism to enlarge the pointer deflection after indicates the differential value between the two.

● 主要技术指标Main Technic Indicator

1.差压的测量范围、公称工作压力、精确度等级及接头螺纹尺寸：

Pressure measurement range, the nominal working pressure, accuracy levels and joint thread size

差压测量范围 Pressure measuring range	公称工作压力 Nominal working pressure	精确度等级 Accuracy class	接头螺纹尺寸 Connector thread size
0~10KPa	60	2.5	M20X1.5 NPT1/2
0~16KPa	100		
0~25KPa	160		
0~40KPa	250		
0~60KPa	400		
0~100KPa	600		
0~0.16MPa	1		
0~0.25MPa	1.6		
0~0.4MPa	2.5		
0~0.6MPa	4		
0~1MPa	6		
0~1.6MPa	10		
0~2.5MPa	10		

2. 导压系统及外壳等材质Pilot systems and shell and other materials

零件名称 Part Name	材质牌号 (代号) Grade material (code)
接头、导管 Connector, catheter	00Cr17Ni12Mo2(316)
波纹管 Bellows	00Cr17Ni14Mo2(316L)
表壳、表盖、表环 Case, table covers, table ring	0Cr18Ni9

3. 外型及安装尺寸: 见图1、图2、图3

Overall and mounting dimensions:
See Figure 1, Figure 2, Figure 3

4. 使用环境温度: -40 ~ 70℃

Ambient temperature: -40 ~ 70 °C

5. 抗工作环境振动: V.H.3级

Anti-vibration environment: VH3 class

6. 重量: 约1.5kg

Weight: about 1.5kg

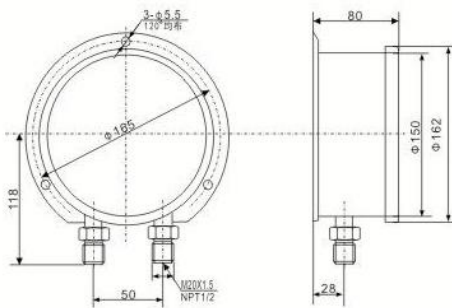
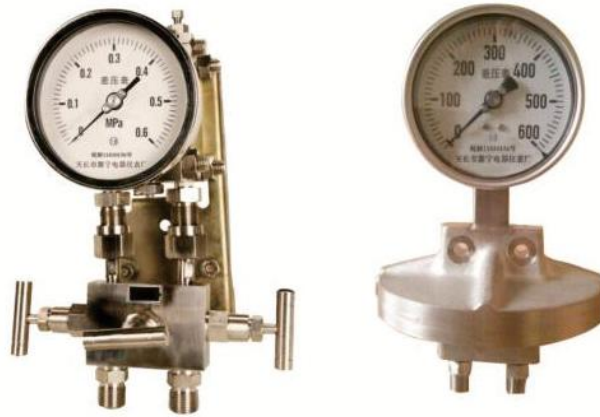
7. 仪表外壳防护等级: IP54

Instrument Housing Protection: IP54

8. 仪表技术性能符合企业标准Q/HNY005-1997

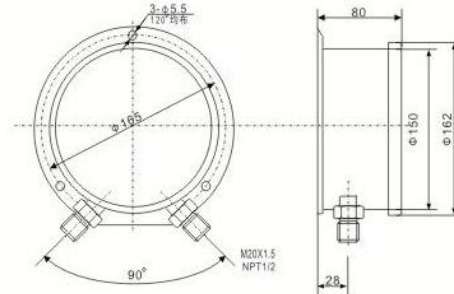
《不锈钢差压表》

Technical performance in line with corporate standards instrument Q/HNY005-1997 "Stainless Steel Pressure Gauge"



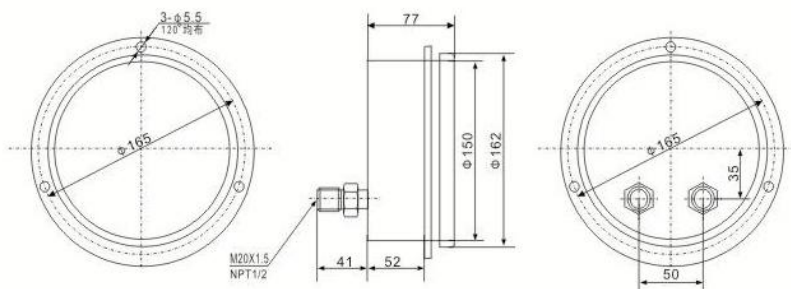
CYW-152B型

图1



CYW-152B型

图2



CYW-153B型

图3

膜片式压力开关



特点

- ◆ 适合各类工业现场能够理想的替代国外同类产品
- ◆ 进口橡胶/316L不锈钢膜片/活塞式传感器，性能稳定可靠
- ◆ SPDT或DPDT输出；铸铝外壳，可选防爆；多种压力及电气接口可选
- ◆ 结构简单，无可拆卸部件
- ◆ 精度：0.5级；重复性：±1%
- ◆ 量程：30Pa~40MPa可选

基本参数

介质	对丁腈橡胶或316L不锈钢无腐蚀性的气体或液体	环境湿度	5%~95%
外壳	压铸铝,环氧树脂涂层,带密封垫圈的外盖	使用寿命	10 ⁸ 循环
外壳等级	符合IEC60529要求,IP67	抗振性	<Max.2g
设定点精度	±1%	防爆等级	Exed II CT6, Temp.=-40~85°CIP67
切换差	不可调 (参考选型表数据)	触点容量	V _{max} =380V, I _{max} =15A (特殊要求请咨询)
重复性误差	<1%	开关输出	一个单刀双掷 (SPDT) 输出, 开关可接“常开型”或“常闭型”
电气接口	M20*1.5内螺纹接口, 可根据现场需要特殊订制		
环境温度	-40°C~+85°C”		

产品选型附加选项

E	Exed II C T6, Temp=-40~71°C	N	特殊压力接口 (标明)
D1	DPDT同步选项	M1	工厂对开关进行单点设定
D2	DPDT不同步选项项目	M2	工厂对开关进行双点设定
A	高触点容量	Z1	平装安装支架
B	不锈钢位号	Z2	管装安装支架

选型表

HNP-K系列：丁腈橡胶膜片及O型圈，G1/4F压力接口（其他接口可订制），防爆产品型号后面加“-E”

产品型号	量程	死区	切换频率	传感器材质
HNP-K0010	30-1000Pa	≤30Pa	10次/分	丁腈橡胶
HNP-K0060	0.5-6KPa	≤0.2KPa	10次/分	丁腈橡胶
HNP-K0150	1-50KPa	≤0.5KPa	10次/分	丁腈橡胶

HNP-G系列：焊接316L不锈钢膜片及G1/4F压力接口（其他接口可订制），防爆产品型号后面加“-E”

产品型号	量程	死区	切换频率	传感器材质
HNP-G0010	30-1000Pa	≤30Pa	10次/分	316L
HNP-G0060	0.5-6KPa	≤0.2KPa	10次/分	316L
HNP-G0150	1-50KPa	≤0.5KPa	10次/分	316L

HNP-K系列：丁腈橡胶膜片及O型圈，1/2NPTF压力接口（其他接口可订制），防爆产品型号后面加“-E”

产品型号	量程	死区	切换频率	传感器材质
HNP-KM0160	0.006-0.16MPa	≤0.004MPa	20次/分	丁腈橡胶
HNP-KM0400	0.01-0.4MPa	≤0.02MPa	20次/分	丁腈橡胶
HNP-KM1000	0.02-1.0MPa	≤0.025MPa	20次/分	丁腈橡胶

HNP-G系列：焊接316L不锈钢膜片及1/2NPTF压力接口（其他接口可订制），防爆产品型号后面加“-E”

产品型号	量程	死区	切换频率	传感器材质
HNP-GM0160	0.006-0.16MPa	≤0.004MPa	20次/分	316L
HNP-GM0400	0.01-0.4MPa	≤0.02MPa	20次/分	316L
HNP-GM1000	0.02-1.0MPa	≤0.025MPa	20次/分	316L

选型表

HNP-K系列：丁腈橡胶膜片及O型圈，1/2NPTF压力接口（其他接口可订制），防爆产品型号后面加“-E”

产品型号	量程	死区	切换频率	传感器材质
HNP-KM1600	0.05-1.6MPa	≤0.25MPa	20次/分	丁腈橡胶
HNP-KM2500	0.05-2.5MPa	≤0.25MPa	20次/分	丁腈橡胶
HNP-KM6000	0.3-6MPa	≤0.3MPa	20次/分	丁腈橡胶
HNP-KB100	0.6-10MPa	≤0.4MPa	20次/分	丁腈橡胶

HNP-G系列：焊接316L不锈钢膜片及1/2NPTF压力接口（其他接口可订制），防爆产品型号后面加“-E”

产品型号	量程	死区	切换频率	传感器材质
HNP-GM1600	0.05-1.6MPa	≤0.25MPa	20次/分	316L
HNP-GM2500	0.05-2.5MPa	≤0.25MPa	20次/分	316L
HNP-GM6000	0.3-6MPa	≤0.3MPa	20次/分	316L
HNP-GG100	0.6-10MPa	≤0.4MPa	20次/分	316L

HNP-G系列：304不锈钢活塞及1/2NPTF压力接口（其他接口可订制），防爆产品型号后面加“-E”

产品型号	量程	死区	切换频率	传感器材质
HNP-GH100	1-10MPa	≤0.4MPa	20次/分	304
HNP-GH160	1-16MPa	≤0.5MPa	20次/分	304
HNP-GH250	2-25MPa	≤0.6MPa	20次/分	304
HNP-GH400	2-40MPa	≤0.8MPa	20次/分	304

HNP-K系列：丁腈橡胶膜片及O型圈，1/2NPTF压力接口（其他接口可订制），防爆产品型号后面加“-E”

产品型号	量程	死区	切换频率	传感器材质
HNP-KG100	1-10MPa	≤0.4MPa	20次/分	304
HNP-KG160	1-16MPa	≤0.5MPa	20次/分	304
HNP-KG250	2-25MPa	≤0.6MPa	20次/分	304
HNP-KG400	2-40MPa	≤0.8MPa	20次/分	304

膜片式隔膜压力开关



选型表

HNP-G系列：焊接316L不锈钢膜片及可订制压力接口，防爆产品型号后加“-E”

产品型号	量程	死区	切换频率	传感器材质
HNP-GM0160GL	0.006-0.16MPa	≤0.004MPa	20次/分	316L
HNP-GM1000GL	0.02-1.0MPa	≤0.025MPa	20次/分	316L
HNP-GM2500GL	0.05-2.5MPa	≤0.03MPa	20次/分	316L
HNP-GM6000GL	0.3-6MPa	≤0.035MPa	20次/分	316L
HNP-GG100GL	1-10MPa	≤0.35MPa	20次/分	316L
HNP-GG160GL	1-16MPa	≤0.35MPa	20次/分	316L

注:如需毛细管连接的产品，请注明毛细管的长度；传感器材质可定制；膜片式差压开关可选隔膜。

膜片式差压开关



选型表

HNC-G系列：焊接316L不锈钢膜片及G1/4F压力接口（其他接口可订制），防爆产品型号后面加“-E”

产品型号	量程	死区	切换频率	传感器材质
HNC-GM0400	0.02-0.4MPa	≤0.03KPa	10次/分	316L
HNC-GM1600	0.05-1.6MPa	≤0.2MPa	20次/分	316L
HNC-GM2500	0.05-2.5MPa	≤0.25MPa	20次/分	316L

HNC-K系列：丁腈橡胶膜片及O型圈，G1/4F压力接口（其他接口可订制），防爆产品型号后面加“-E”

产品型号	量程	死区	切换频率	传感器材质
HNC-K0020	0-2KPa	≤30Pa	10次/分	丁腈橡胶
HNC-K0060	0.5-6KPa	≤0.2KPa	10次/分	丁腈橡胶
HNC-K0250	1-25KPa	≤0.3KPa	10次/分	丁腈橡胶

HNC-G系列：焊接316L不锈钢膜片及G1/4F压力接口（其他接口可订制），防爆产品型号后面加“-E”

产品型号	量程	死区	切换频率	传感器材质
HNC-G0020	0-2KPa	≤30Pa	10次/分	316L
HNC-G0060	0.5-6KPa	≤0.2KPa	10次/分	316L
HNC-G0250	1-25KPa	≤0.3KPa	10次/分	316L

膜片式负压开关



选型表

HNV-K系列：丁腈橡胶膜片及O型圈，G1/4F压力接口（其他接口可订制），防爆产品型号后面加“-E”

产品型号	量程	死区	切换频率	传感器材质
HNV-KK0020	2-0-2KPa	≤30Pa	10次/分	丁腈橡胶
HNV-KK0100	10-0-10KPa	≤0.2KPa	10次/分	丁腈橡胶

HNV-G系列：焊接316L不锈钢膜片及G1/4F压力接口（其他接口可订制），防爆产品型号后面加“-E”

产品型号	量程	死区	切换频率	传感器材质
HNV-GK0020	2-0-2KPa	≤30Pa	10次/分	316L
HNV-GK0100	10-0-10KPa	≤0.2KPa	10次/分	316L

HNV-G系列：焊接316L不锈钢膜片及1/2NPTF压力接口（其他接口可订制），防爆产品型号后面加“-E”

产品型号	量程	死区	切换频率	传感器材质
HNV-GM0100	-0.1-0-0.1MPa	≤0.004MPa	10次/分	316L

HNV-K系列：丁腈橡胶膜片及O型圈，1/2NPTF压力接口（其他接口可订制），防爆产品型号后面加“-E”

产品型号	量程	死区	切换频率	传感器材质
HNV-KM0100	-0.1-0-0.1MPa	≤0.004MPa	20次/分	丁腈橡胶

HNP微压力控制器

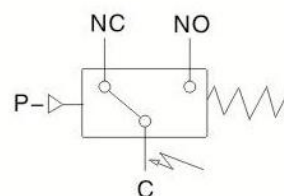
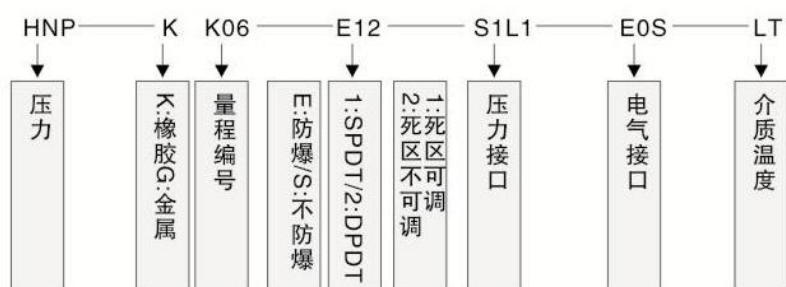


该系列产品采用橡胶/金属膜片式传感器元件，普通型可用于对感压元件无腐蚀作用的气体、液体或蒸汽等介质的场所实现压力的自动控制，控制器的设定值可调，最大量程为30Pa~25KPa，其调节范围为量程的15%~95%之间。该产品重量约为1kg。

防爆型产品防爆标志为ExedIICT6，可用于对感压元件无腐蚀作用的气体、液体或蒸汽等介质的IIA、IIB、IIC类T1~T6组爆炸性气体混合物场所实现压力自动控制。

如需要采用窗口式请采购时说明，窗口式的仪表代号为HNPC死区不可调、HNPA死区可调系列。

压力控制器选型表



单刀双掷微动开关作用过程
接线端C-NO：压力上升至上设定值时接通；
接线端C-NC：压力上升至上设定值时断开。

主要技术规格

	普通型	防爆型
工作粘度	$\leq 10^{-3} \text{m}^2/\text{s}$	$\leq 10^{-3} \text{m}^2/\text{s}$
开关元件	微动开关	微动开关
防爆等级	/	Exed II CT6 证书编号:320110395
外壳防护等级	IP67	IP67
环境温度	-25℃~80℃	-25℃~80℃
环境湿度	5%~95%	5%~95%
使用寿命	10^5 次循环	10^5 次循环
抗震性	<Max · 2g	<Max · 2g
触点容量	Vmax=380V Imax=15A	Vmax=380V Imax=15A
重复性误差	$\leq 1.0\%$	$\leq 1.0\%$

HNP微压力控制器

量程参数表

橡胶膜片选型表

量程代号	量程	死区	切换频率	传感器材质
KK01	30~1000Pa	≤30Pa	10次/分	丁腈橡胶
KK06	1~6KPa	≤0.2KPa	10次/分	丁腈橡胶
KK25	1~25KPa	≤0.5KPa	10次/分	丁腈橡胶

橡胶膜片选型表

量程代号	量程	死区	切换频率	传感器材质
GK01	30~1000Pa	≤30Pa	10次/分	316L
GK06	1~6KPa	≤0.2KPa	10次/分	316L
GK25	1~25KPa	≤0.5KPa	10次/分	316L

压力接口参数表

		M20*1.5 (F/M)	G1/2 (F/M)	G1/4 (F/M)	1/4NPT (F/M)	1/2NPT (F/M)	3/4NPT (F/M)
压力接口 材料及 代号	碳钢	C1L/C1L1	C2L/C2L1	C3L/C3L1	C4L/C4L1	C5L/C5L1	C6L/C6L1
	304不锈钢	S1L/S1L1	S2L/S2L1	S3L/S3L1	S4L/S4L1	S5L/S5L1	S6L/S6L1
	316不锈钢	S1S/S1S1	S2S/S2S1	S3S/S3S1	S4S/S4S1	S5S/S5S1	S6S/S6S1
	316L不锈钢	S1SL/S1SL1	S2SL/S2SL1	S3SL/S3SL1	S4SL/S4SL1	S5SL/S5SL1	S6SL/S6SL1

注：该产品标准压力接口为G1/4内螺纹，其他接口形式可订制。例：压力接口为G1/4内螺纹，304不锈钢，则压力接口代号为S3L。

电气接口参数表

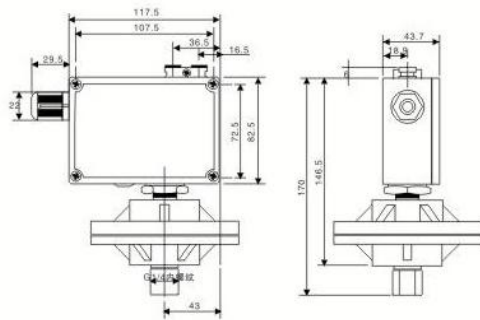
电气接口尺寸	M18*1.5 (F/M)	M20*1.5 (F/M)	G1/2 (F/M)	G1/4 (F/M)	1/4NPT (F/M)	1/2NPT (F/M)	3/4NPT (F/M)
电气接口代号	E0S/E0S1	E1S/E1S1	E2S/E2S1	E3S11/E3S1	E4S/E4S1	E5S/E5S1	E6S/E6S1

注：该产品标准电气接口为M18*1.5内螺纹，并配有电缆接头；其也接口可订制，不附带电缆接头。

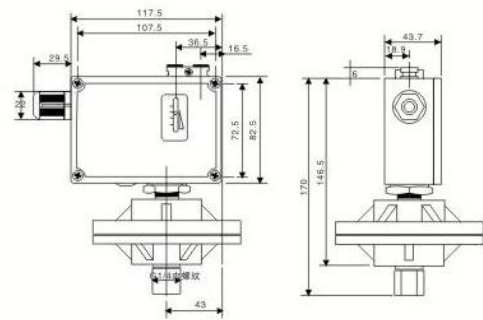
介质温度参数表

LT:80° ~180°	HT:180° ~350°	MT:-15° ~80°	DZ:-40° ~-15° (需订制)
--------------	---------------	--------------	---------------------

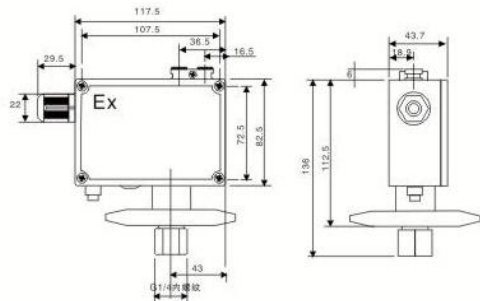
▶ HNP微压力控制器外型尺寸图



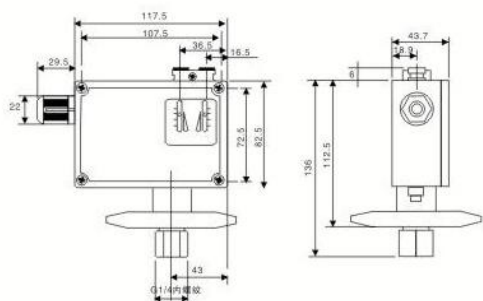
HNP橡胶膜片



HNPC橡胶膜片

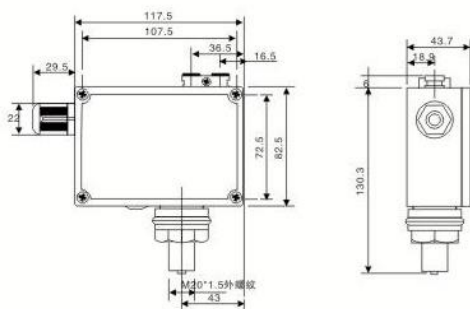


HNP金属膜片

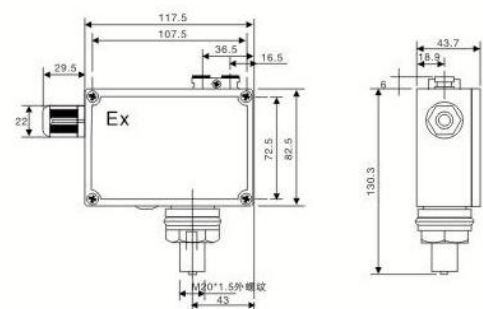


HNPA金属膜片

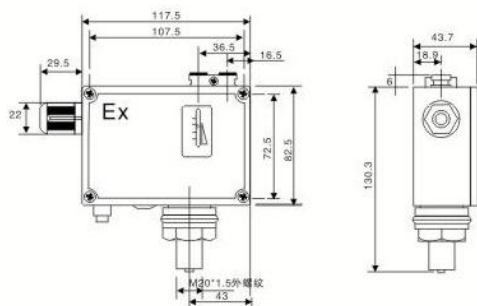
▶ HNP压力控制器外型尺寸图



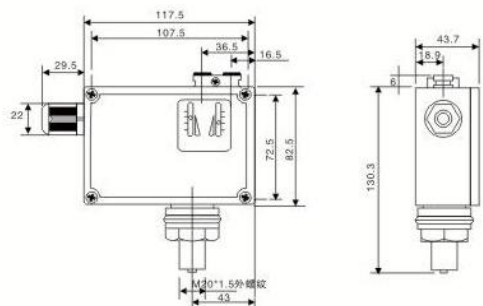
HNP橡胶膜片



HNP金属膜片



HNPC橡胶膜片



HNPA金属膜片

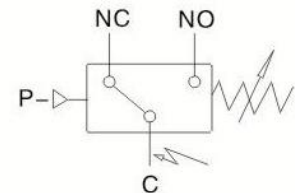
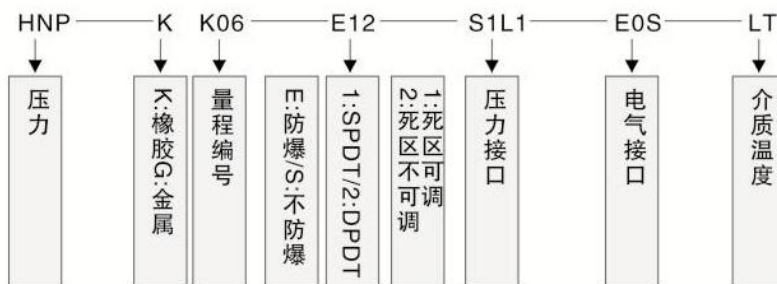
HNP压力控制器



该系列产品采用橡胶/金属膜片传感器元件，普通型可用于含腐蚀性气体、液体或蒸汽等介质的场所实现压力的自动控制，控制器的设定值可调，最大量程为0.006~10MPa,其调节范围为量程的15%~95%之间。该产品重量约为1kg。防爆型产品防爆标志为Exed II CT6，可用于含腐蚀性气体、液体或蒸汽等介质的 II A、II B、II C类T1~6组爆炸性气体混合物场所实现压力自控制。

如需要采用窗口式请采购时说明，窗口式的仪表代号为HNPC不可调、HNPA死区可调系列。

压力控制器选型表



单刀双掷微动开关作用过程
接线端C-NO: 压力上升至设定值时接通;
接线端C-NC: 压力上升至设定值时断开。

主要技术规格

	普通型	防爆型
工作粘度	$\leq 10^{-3} \text{m}^2/\text{s}$	$\leq 10^{-3} \text{m}^2/\text{s}$
开关元件	微动开关	微动开关
防爆等级	/	Exed II CT6 证书编号:320110395
外壳防护等级	IP67	IP67
环境温度	-25℃~80℃	-25℃~80℃
环境湿度	5%~95%	5%~95%
使用寿命	10 ⁵ 次循环	10 ⁵ 次循环
抗震性	<Max · 2g	<Max · 2g
触点容量	Vmax=380V Imax=15A	Vmax=380V Imax=5A
重复性误差	$\leq 1.0\%$	$\leq 1.0\%$

注：产品外型尺寸图详见33页。

量程参数表

橡胶膜片选型表

量程代号	量程	死区	切换频率	传感器材质
KM016	0.006~0.16MPa	≤0.004MPa	20次/分	丁腈橡胶
KM040	0.01~0.4MPa	≤0.02MPa	20次/分	丁腈橡胶
KM100	0.02~1.0MPa	≤0.025MPa	20次/分	丁腈橡胶
最大工作压力: 1.6MPa 耐压: 2.5Mpa				
KM160	0.05~1.6MPa	≤0.25MPa	20次/分	丁腈橡胶
KM250	0.05~2.5MPa	≤0.25MPa	20次/分	丁腈橡胶
KM600	0.3~6MPa	≤0.3MPa	20次/分	丁腈橡胶
最大工作压力: 7.5MPa 耐压: 9Mpa				
KG10	0.6~10MPa	≤0.4MPa	20次/分	丁腈橡胶

金属膜片选型表

量程代号	量程	死区	切换频率	传感器材质
GM016	0.006~0.16MPa	≤0.004MPa	20次/分	316L
GM040	0.01~0.4MPa	≤0.02MPa	20次/分	316L
GM100	0.02~1.0MPa	≤0.025MPa	20次/分	316L
最大工作压力: 1.6MPa 耐压: 2.5Mpa				
GM160	0.05~1.6MPa	≤0.25MPa	20次/分	316L
GM250	0.05~2.5MPa	≤0.25MPa	20次/分	316L
GM600	0.3~6MPa	≤0.3MPa	20次/分	316L
最大工作压力: 7.5MPa 耐压: 9Mpa				
GG10	0.6~10MPa	≤0.4MPa	20次/分	316L

压力接口参数表

		M20*1.5 (F/M)	G1/2 (F/M)	G1/4 (F/M)	1/4NPT (F/M)	1/2NPT (F/M)	3/4NPT (F/M)
压力接口 材料及 代号	碳钢	C1L/C1L1	C2L/C2L1	C3L/C3L1	C4L/C4L1	C5L/C5L1	C6L/C6L1
	304不锈钢	S1L/S1L1	S2L/S2L1	S3L/S3L1	S4L/S4L1	S5L/S5L1	S6L/S6L1
	316不锈钢	S1S/S1S1	S2S/S2S1	S3S/S3S1	S4S/S4S1	S5S/S5S1	S6S/S6S1
	316L不锈钢	S1SL/S1SL1	S2SL/S2SL1	S3SL/S3SL1	S4SL/S4SL1	S5SL/S5SL1	S6SL/S6SL1

注: 该产品标准压力接口为M20*1.5外螺纹, 其他接口形式可订制。例: 压力接口为M20*1.5外螺纹, 304不锈钢, 则压力接口代号为S1L1。

电气接口参数表

电气接口尺寸	M18*1.5 (F/M)	M20*1.5 (F/M)	G1/2 (F/M)	G1/4 (F/M)	1/4NPT (F/M)	1/2NPT (F/M)	3/4NPT (F/M)
电气接口代号	E0S/E0S1	E1S/E1S1	E2S/E2S1	E3S11/E3S1	E4S/E4S1	E5S/E5S1	E6S/E6S1

注: 该产品标准电气接口为M18*1.5内螺纹, 并配有电缆接头; 其也接口可订制, 不附带电缆接头。

介质温度参数表

LT:80° ~180°	HT:180° ~350°	MT:-15° ~80°	DZ:-40° ~-15° (需订制)
--------------	---------------	--------------	---------------------

HNP高压力控制器

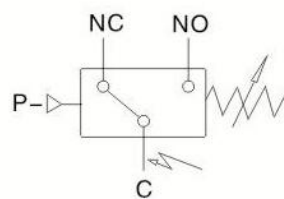
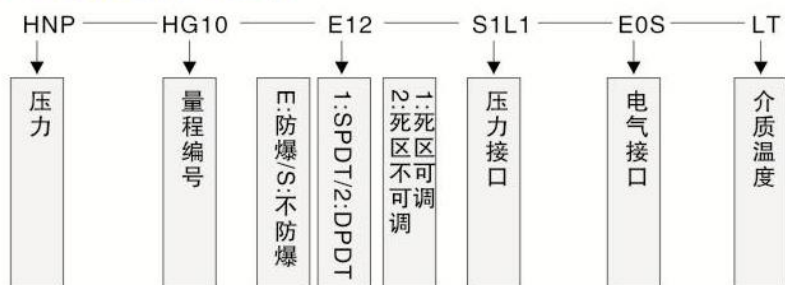


该系列产品采用无泄漏活塞式/橡胶膜片式传感器元件，普通型可适用于含腐蚀性气体、液体或蒸汽等介质的场所实现压力的自动控制，控制器的设定值可调，最大量程为1~40MPa,其调节范围为量程的15%~95%之间，该产品重量约为1kg.

防爆型产品防爆标志位Exed II CT6，可用于含腐蚀性气体、液体或蒸汽等介质的 II A、II B、II C类T1~T6组爆炸性气体混合物场所实现压力自动控制。

如需要采用窗口式请采购时说明，窗口式的仪表代号为HNPC死区不可调、HNPA死区可调系列。

压力控制器选型表



单刀双掷微动开关作用过程
接线端C-NO：压力上升至上设定值时接通；
接线端C-NC：压力上升至上设定值时断开。

主要技术规格

	普通型	防爆型
工作粘度	$\leq 10^{-3} \text{m}^2/\text{s}$	$\leq 10^{-3} \text{m}^2/\text{s}$
开关元件	微动开关	微动开关
防爆等级	/	Exed II CT6 证书编号:320110395
外壳防护等级	IP67	IP67
环境温度	-25℃~80℃	-25℃~80℃
环境湿度	5%~95%	5%~95%
使用寿命	10 ⁵ 次循环	10 ⁵ 次循环
抗震性	<Max · 2g	<Max · 2g
触点容量	Vmax=380V I _{max} =15A	Vmax=380V I _{max} =15A
重复性误差	$\leq 1.0\%$	$\leq 1.0\%$

量程参数表

量程代号		量程	死区	切换频率	传感器材质
活塞传感器	橡胶膜片传感器				
HG10	KG10	1~10MPa	$\leq 0.4 \text{MPa}$	20次/分	按量程代号 传感器选择
HG16	KG16	1~16MPa	$\leq 0.5 \text{MPa}$	20次/分	
HG25	KG25	2~25MPa	$\leq 0.6 \text{MPa}$	20次/分	
HG40	KG40	2~40MPa	$\leq 0.8 \text{MPa}$	20次/分	
最大工作压力：40MPa 耐压：60Mpa					

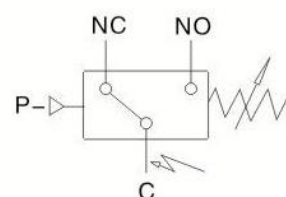
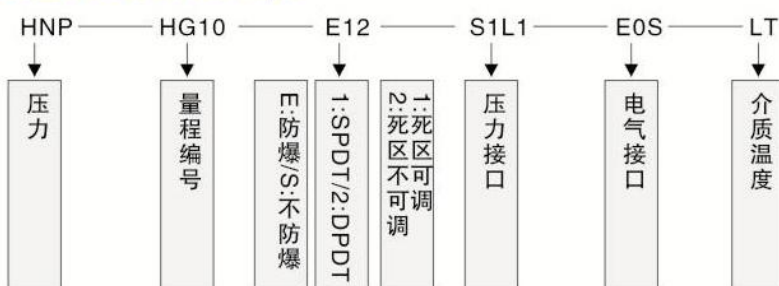
HNP高压力控制器

该系列产品采用弹簧式传感器元件，普通型可适用于含腐蚀性气体、液体或蒸汽等介质的场所实现压力的自动控制，控制器的设定值可调，最大量程为1~40MPa,其调节范围为量程的15%~95%之间，该产品重量约为1kg。

防爆型产品防爆标志为Exed II CT6，可用于含腐蚀性气体、液体或蒸汽等介质的II A、II B、II C类T1~T6组爆炸性气体混合物场所实现压力自动控制。该型号无死区可调整，主要适用于油类介质的控制。



压力控制器选型表



单刀双掷微动开关作用过程
接线端C-NO: 压力上升至上设定值时接通;
接线端C-NC: 压力上升至上设定值时断开。

主要技术规格

	普通型	防爆型
工作粘度	$\leq 10^{-3} \text{m}^2/\text{s}$	$\leq 10^{-3} \text{m}^2/\text{s}$
开关元件	微动开关	微动开关
防爆等级	/	Exed II CT6 证书编号:320110395
外壳防护等级	IP67	IP67
环境温度	-25℃~80℃	-25℃~80℃
环境湿度	5%~95%	5%~95%
使用寿命	10 ⁵ 次循环	10 ⁵ 次循环
抗震性	<Max · 2g	<Max · 2g
触点容量	Vmax=380V Imax=15A	Vmax=380V Imax=15A
重复性误差	$\leq 1.0\%$	$\leq 1.0\%$

量程参数表

量程代号	量程	死区	切换频率	传感器材质
CG10	1~10MPa	$\leq 0.35 \text{MPa}$	20次/分	304
CG16	1~16MPa	$\leq 0.4 \text{MPa}$	20次/分	304
CG25	2~25MPa	$\leq 0.5 \text{MPa}$	20次/分	304
CG40	2~40MPa	$\leq 0.75 \text{MPa}$	20次/分	304

最大工作压力: 40MPa 耐压: 60MPa

▶ **压力接口参数表**

		M20*1.5 (F/M)	G1/2 (F/M)	G1/4 (F/M)	1/4NPT (F/M)	1/2NPT (F/M)	3/4NPT (F/M)
压力接口 材料及 代号	碳钢	C1L/C1L1	C2L/C2L1	C3L/C3L1	C4L/C4L1	C5L/C5L1	C6L/C6L1
	304不锈钢	S1L/S1L1	S2L/S2L1	S3L/S3L1	S4L/S4L1	S5L/S5L1	S6L/S6L1
	316不锈钢	S1S/S1S1	S2S/S2S1	S3S/S3S1	S4S/S4S1	S5S/S5S1	S6S/S6S1
	316L不锈钢	S1SL/S1SL1	S2SL/S2SL1	S3SL/S3SL1	S4SL/S4SL1	S5SL/S5SL1	S6SL/S6SL1

注：该产品标准压力接口为M20*1.5外螺纹，其他接口形式可订制。例：压力接口为M20*1.5外螺纹，304不锈钢，则压力接口代号为S1L1。

▶ **电气接口参数表**

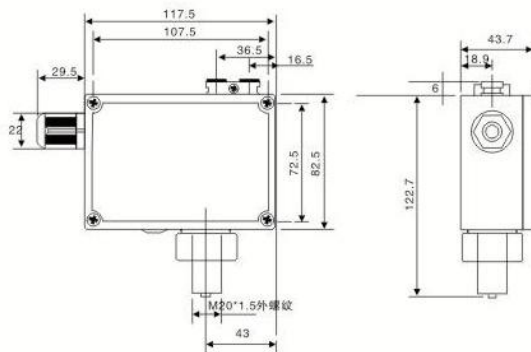
电气接口尺寸	M18*1.5 (F/M)	M20*1.5 (F/M)	G1/2 (F/M)	G1/4 (F/M)	1/4NPT (F/M)	1/2NPT (F/M)	3/4NPT (F/M)
电气接口代号	E0S/E0S1	E1S/E1S1	E2S/E2S1	E3S11/E3S1	E4S/E4S1	E5S/E5S1	E6S/E6S1

注：该产品标准电气接口为M18*1.5内螺纹，并配有电缆接头；其也接口可订制，不附带电缆接头。

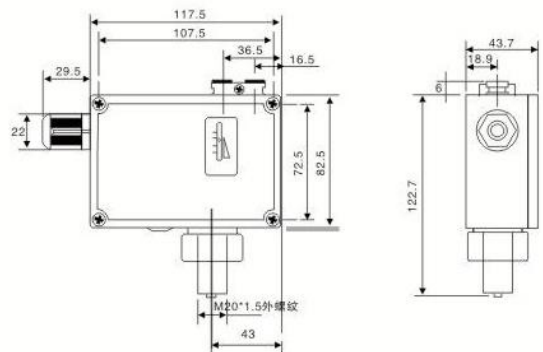
▶ **介质温度参数表**

LT:80° ~180°	HT:180° ~350°	MT:-15° ~80°	DZ:-40° ~-15° (需订制)
--------------	---------------	--------------	---------------------

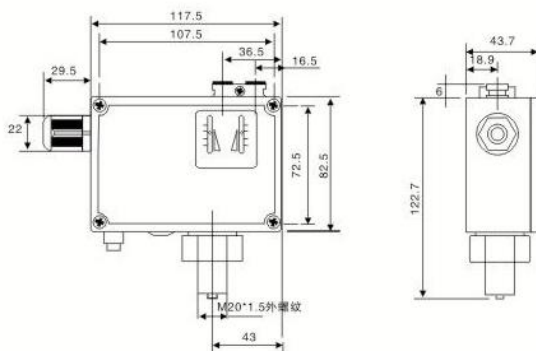
▶ **HNP高压力控制器外型尺寸图**



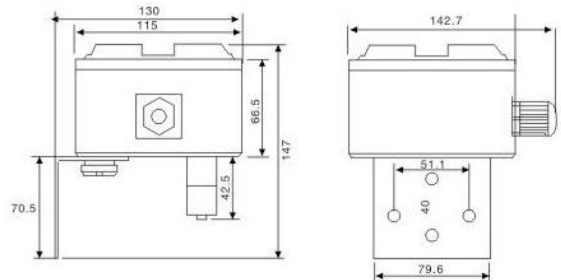
HNP活塞



HNPC活塞



HNPA活塞



HNP弹簧管

HNV微负压控制器

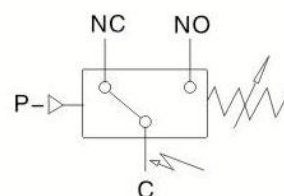
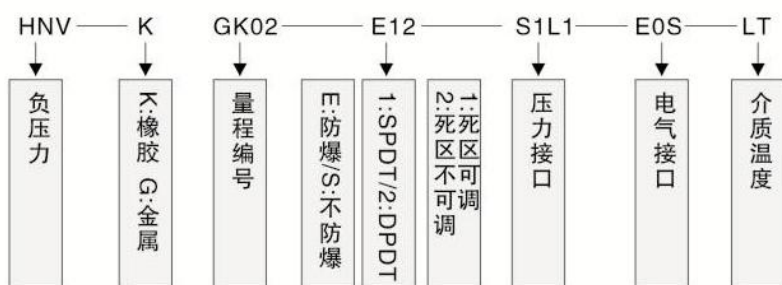


该系列产品采用橡胶/金属316L膜片式传感器元件，普通型可适用于含腐蚀性气体、液体或蒸汽等介质的场所实现压力的自动控制，控制器的设定值可调，最大量程为-10-0-10KPa,其调节范围为量程的15%-95%之间，该产品重量约为1kg。

防爆型产品防爆标志位Exed II CT6，可用于含腐蚀性气体、液体或蒸汽等介质的 II A、II B、II C类T1~T6组爆炸性气体混合物场所实现压力自动控制。

如需要采用窗口式请采购时说明，窗口式的仪表代号为HNVC死区不可调、HNVA死区可调系列。

负压力控制器选型表



单刀双掷微动开关作用过程
接线端C-NO：压力上升至设定值时接通；
接线端C-NC：压力上升至设定值时断开。

主要技术规格

	普通型	防爆型
工作粘度	$\leq 10^{-3} \text{m}^2/\text{s}$	$\leq 10^{-3} \text{m}^2/\text{s}$
开关元件	微动开关	微动开关
防爆等级	/	Exed II CT6 证书编号:320110395
外壳保护等级	IP67	IP67
环境温度	-25℃~80℃	-25℃~80℃
环境湿度	5%~95%	5%~95%
使用寿命	10 ⁵ 次循环	10 ⁵ 次循环
抗震性	<Max · 2g	<Max · 2g
触点容量	Vmax=380V Imax=15A	Vmax=380V Imax=15A
重复性误差	$\leq 1.0\%$	$\leq 1.0\%$

量程参数表

量程代号	量程	死区	切换频率	传感器材质
GK02	2~0~2KPa	≤30Pa	10次/分	316L
GK10	10~0~10KPa	≤0.2KPa	10次/分	316L
最大工作压力：50KPa 耐压：100Kpa				
KK02	2~0~2KPa	≤30Pa	10次/分	丁腈橡胶
KK10	10~0~10KPa	≤0.2KPa	10次/分	丁腈橡胶
最大工作压力：50KPa 耐压：100Kpa				

压力接口参数表

		M20*1.5 (F/M)	G1/2 (F/M)	G1/4 (F/M)	1/4NPT (F/M)	1/2NPT (F/M)	3/4NPT (F/M)
压力接口 材料及 代号	碳钢	C1L/C1L1	C2L/C2L1	C3L/C3L1	C4L/C4L1	C5L/C5L1	C6L/C6L1
	304不锈钢	S1L/S1L1	S2L/S2L1	S3L/S3L1	S4L/S4L1	S5L/S5L1	S6L/S6L1
	316不锈钢	S1S/S1S1	S2S/S2S1	S3S/S3S1	S4S/S4S1	S5S/S5S1	S6S/S6S1
	316L不锈钢	S1SL/S1SL1	S2SL/S2SL1	S3SL/S3SL1	S4SL/S4SL1	S5SL/S5SL1	S6SL/S6SL1

注：该产品标准压力接口为G1/4内螺纹，其他接口形式可订制。例：压力接口为G1/4内螺纹，304不锈钢，则压力接口代号为S3L。

电气接口参数表

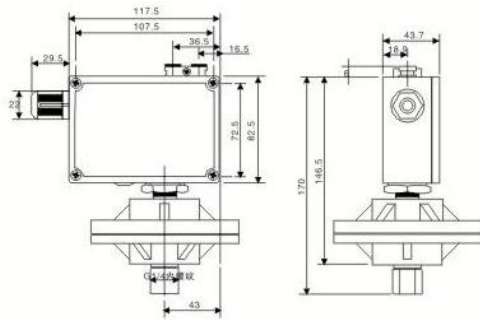
电气接口尺寸	M18*1.5 (F/M)	M20*1.5 (F/M)	G1/2 (F/M)	G1/4 (F/M)	1/4NPT (F/M)	1/2NPT (F/M)	3/4NPT (F/M)
电气接口代号	E0S/E0S1	E1S/E1S1	E2S/E2S1	E3S/E3S1	E4S/E4S1	E5S/E5S1	E6S/E6S1

注：该产品标准电气接口为M18*1.5内螺纹，并配有电缆接头；其他接口可订制，不附带电缆接头。

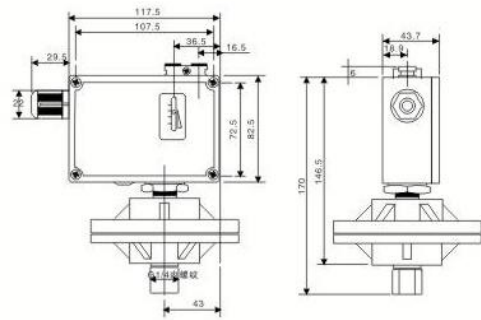
介质温度参数表

LT:80° ~180°	HT:180° ~350°	MT:-15° ~80°	DZ:-40° ~-15° (需订制)
--------------	---------------	--------------	---------------------

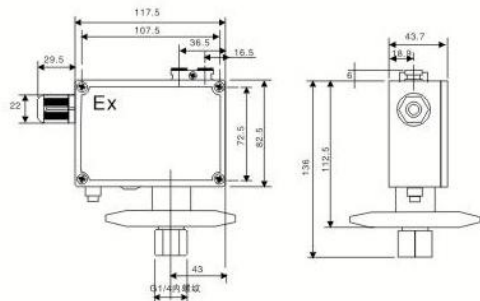
● HNV微压力控制器外型尺寸图



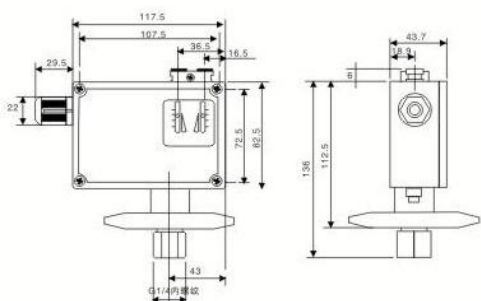
HNV橡胶膜片



HNVc橡胶膜片

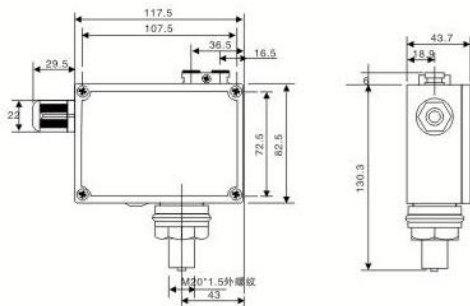


HNV金属膜片

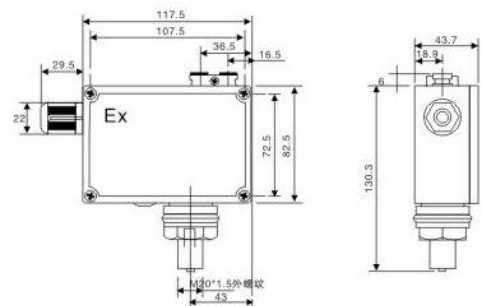


HNVa金属膜片

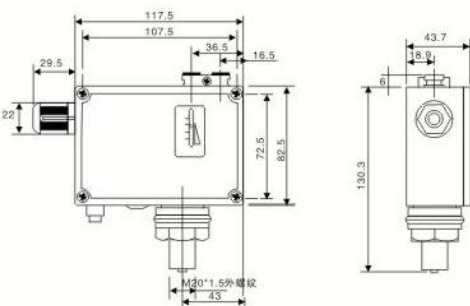
● HNV负压控制器外型尺寸图



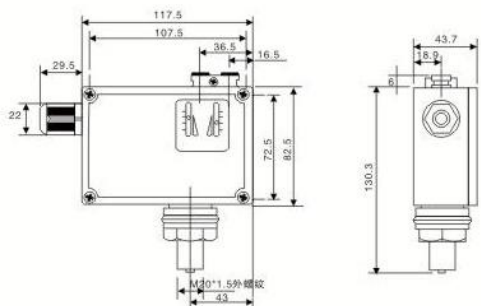
HNV橡胶膜片



HNV金属膜片

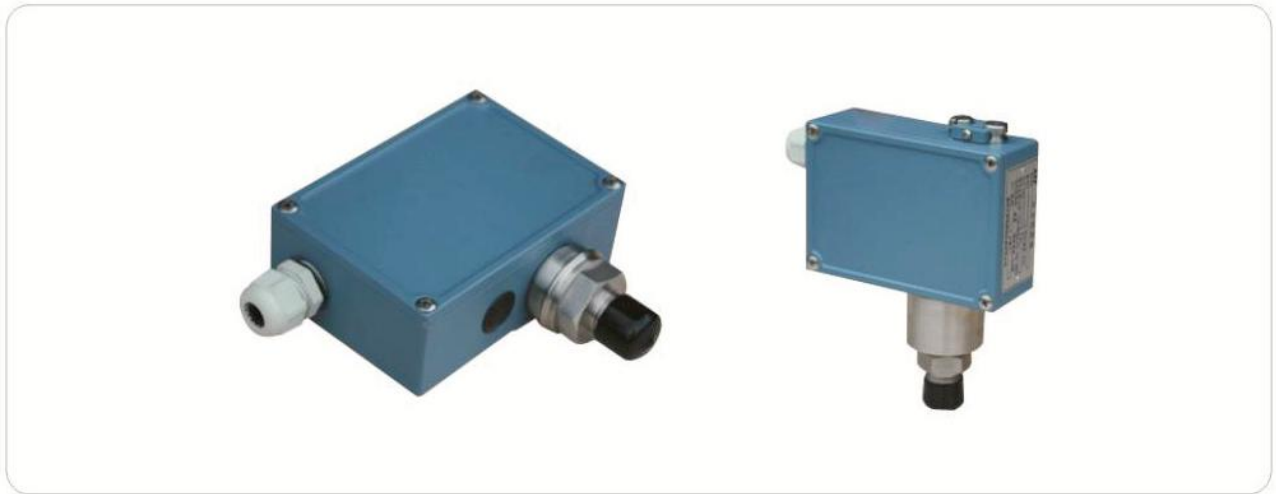


HNVc橡胶膜片



HNVa金属膜片

HNV负压压力控制器



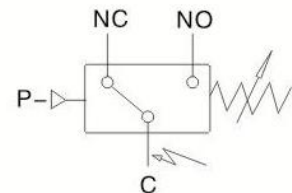
该系列产品采用橡胶/金属膜片式传感器元件，普通型可适用于含腐蚀性气体、液体或蒸汽等介质的场所实现压力的自动控制，控制器的设定值可调，最大量程为0.1~0~0.1MPa,其调节范围为量程的15%~95%之间，该产品重量约为1kg。

防爆型产品防爆标志位Exed II CT6，可用于含腐蚀性气体、液体或蒸汽等介质的 II A、II B、II C类T1~T6组爆炸性气体混合物场所实现压力自动控制。

如需要采用窗口式请采购时说明，窗口式的仪表代号为HNVC死区不可调、HNVA死区可调系列。

负压压力控制器选型表

HNV	K	M010	E12	S1L1	E0S	LT
↓	↓	↓	↓	↓	↓	↓
负压力	橡胶 G:金属	量程编号	E:防爆 S:不防爆	1:死区不可调 2:死区可调	压力接口	电气接口



单刀双掷微动开关作用过程
接线端C-NO: 压力上升至上设定值时接通;
接线端C-NC: 压力上升至上设定值时断开。

主要技术规格

	普通型	防爆型
工作粘度	$\leq 10^{-3} \text{m}^2/\text{s}$	$\leq 10^{-3} \text{m}^2/\text{s}$
开关元件	微动开关	微动开关
防爆等级	/	Exed II CT6 证书编号:320110395
外壳防护等级	IP67	IP67
环境温度	-25℃~80℃	-25℃~80℃
环境湿度	5%~95%	5%~95%
使用寿命	10 ⁵ 次循环	10 ⁵ 次循环
抗震性	<Max · 2g	<Max · 2g
触点容量	Vmax=380V Imax=15A	Vmax=380V Imax=15A
重复性误差	$\leq 1.0\%$	$\leq 1.0\%$

量程参数表

量程代号	量程	死区	切换频率	传感器材质
KM010	0.1~0~0.1MPa	≤0.004MPa	20次/分	丁腈橡胶
最大工作压力：0.6MPa 耐压：1MPa				
GM010	0.1~0~0.1MPa	≤0.004MPa	20次/分	316L
最大工作压力：0.6MPa 耐压：1MPa				

压力接口参数表

		M20*1.5 (F/M)	G1/2 (F/M)	G1/4 (F/M)	1/4NPT (F/M)	1/2NPT (F/M)	3/4NPT (F/M)
压力接口 材料及 代号	碳钢	C1L/C1L1	C2L/C2L1	C3L/C3L1	C4L/C4L1	C5L/C5L1	C6L/C6L1
	304不锈钢	S1L/S1L1	S2L/S2L1	S3L/S3L1	S4L/S4L1	S5L/S5L1	S6L/S6L1
	316不锈钢	S1S/S1S1	S2S/S2S1	S3S/S3S1	S4S/S4S1	S5S/S5S1	S6S/S6S1
	316L不锈钢	S1SL/S1SL1	S2SL/S2SL1	S3SL/S3SL1	S4SL/S4SL1	S5SL/S5SL1	S6SL/S6SL1

注：该产品标准压力接口为M20*1.5外螺纹，其他接口形式可订制。例：压力接口为M20*1.5外螺纹，304不锈钢，则压力接口代号为S1L1。

电气接口参数表

电气接口尺寸	M18*1.5 (F/M)	M20*1.5 (F/M)	G1/2 (F/M)	G1/4 (F/M)	1/4NPT (F/M)	1/2NPT (F/M)	3/4NPT (F/M)
电气接口代号	E0S/E0S1	E1S/E1S1	E2S/E2S1	E3S/E3S1	E4S/E4S1	E5S/E5S1	E6S/E6S1

注：该产品标准电气接口为M18*1.5内螺纹，并配有电缆接头；其他接口可订制，不附带电缆接头。

介质温度参数表

LT:80° ~180°	HT:180° ~350°	MT:-15° ~-80°	DZ:-40° ~-15° (需订制)
--------------	---------------	---------------	---------------------

注：产品外型尺寸图详见41页

HNC微差压/差压控制器

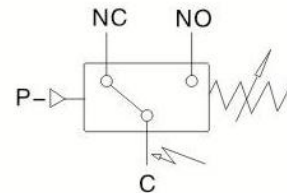
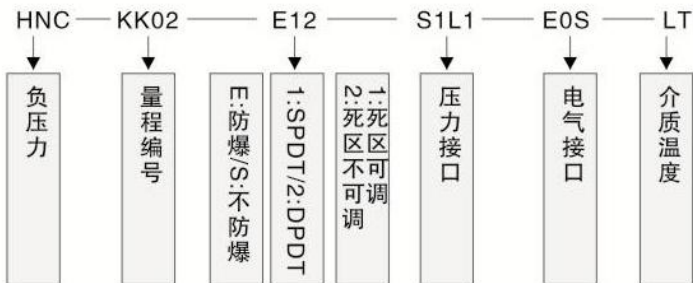


该系列产品采用膜片式差压感元件，普通型产品可适用于控制对感压元件无腐蚀作用，无爆炸危险的气体、液体或蒸汽等介质的同一压力源或不同压力源的压力差。

防爆型产品防爆标志位Exed II CT6，可用于控制对感压元件无腐蚀作用的气体、液体或蒸汽等介质的 II A、II B、II C类T1~T6组爆炸性气体混合物场所的同一压力源或不同压力源的压力差。

控制器的设定值调节范围为100MPa~2.5MPa,控制器设定值可调，防腐型可用于腐蚀介质环境，如需要采用窗口式请采购时说明，窗口式的仪表代号为HNCC死区不可调、HNCA死区可调系列。

差压力控制器选型表



单刀双掷微动开关作用过程
接线端C-NO: 压力上升至上设定值时接通;
接线端C-NC: 压力上升至上设定值时断开。

主要技术规格

	普通型	防爆型
工作粘度	$\leq 10^{-3} \text{m}^2/\text{s}$	$\leq 10^{-3} \text{m}^2/\text{s}$
开关元件	微动开关	微动开关
防爆等级	/	Exed II CT6 证书编号:320110395
外壳保护等级	IP67	IP67
环境温度	$-25^{\circ}\text{C} \sim 80^{\circ}\text{C}$	$-25^{\circ}\text{C} \sim 80^{\circ}\text{C}$
环境湿度	5%~95%	5%~95%
使用寿命	10^5 次循环	10^5 次循环
抗震性	<Max · 2g	<Max · 2g
触点容量	Vmax=380V I _{max} =15A	Vmax=380V I _{max} =15A
重复性误差	$\leq 1.0\%$	$\leq 1.0\%$

量程参数表

量程代号	量程	死区	切换频率	传感器材质
KK02	100~2000Pa	$\leq 30\text{Pa}$	10次/分	丁腈橡胶
KK08	0.5~6KPa	$\leq 0.2\text{KPa}$	10次/分	丁腈橡胶
KK25	1~25KPa	$\leq 0.3\text{KPa}$	10次/分	丁腈橡胶
最大工作压力: 50KPa 耐压: 160Kpa				
GM040	0.02~0.4MPa	$\leq 0.03\text{MPa}$	10次/分	316L
GM160	0.05~1.6MPa	$\leq 0.2\text{MPa}$	10次/分	316L
GM250	0.05~2.5MPa	$\leq 0.25\text{MPa}$	10次/分	316L
最大工作压力: 3MPa 耐压: 4Mpa				

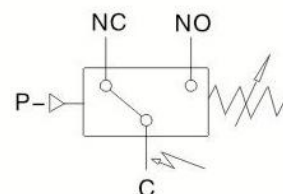
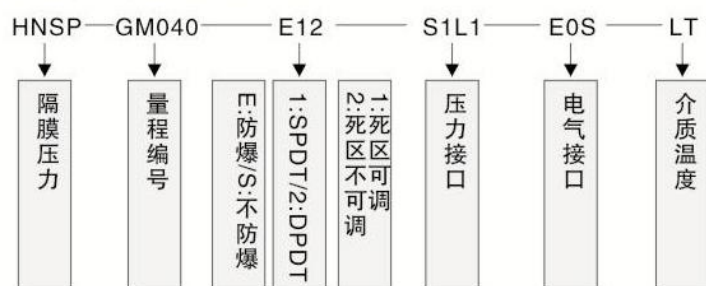
隔膜控制器



该系列产品采用膜片和波纹管作为传感元件，充灌高温硅油，控制腐蚀性、高粘性、易结晶、易凝固、有固体悬浮物、温度较高的介质压力，控制器设定值可调，调节范围-0.1~25MPa，法兰接口按国标GB/T9113.1~2-2000：HG20592-20615-1997，美标ANSI.B16.5，日标JIS等为标准，其耐温可达300℃，结构方式为远传和直联，使安装更为方便。

如需要采用窗口式请采购时说明，窗口式的仪表代号为HNSPC死区不可调、HNSPA死区可调系列。

隔膜压力控制器选型表



单刀双掷微动开关作用过程
接线端C-NO: 压力上升至上设定值时接通;
接线端C-NC: 压力上升至上设定值时断开。

主要技术规格

	普通型	防爆型
工作粘度	$\leq 10^{-3} \text{m}^2/\text{s}$	$\leq 10^{-3} \text{m}^2/\text{s}$
开关元件	微动开关	微动开关
防爆等级	/	Exed II CT6 证书编号:320110395
外壳防护等级	IP67	IP67
环境温度	-25℃~80℃	-25℃~80℃
环境湿度	5%~95%	5%~95%
使用寿命	10 ⁵ 次循环	10 ⁵ 次循环
抗震性	<Max · 2g	<Max · 2g
触点容量	Vmax=380V Imax=15A	Vmax=380V Imax=15A
重复性误差	$\leq 1.5\%$	$\leq 1.5\%$

控制形式

压力隔膜	KSSP
真空隔膜	KSSV

压力接口参数表

压力接口尺寸		M20*1.5 (F/M)	G1/2 (F/M)	G1/4 (F/M)	1/4NPT (F/M)	1/2NPT (F/M)	单法兰 连接
压力接口 材料及 代号	304不锈钢	S1L/S1L1	S2L/S2L1	S3L/S3L1	S4L/S4L1	S5L/S5L1	法兰标准及 口径
	316不锈钢	S1S/S1S1	S2S/S2S1	S3S/S3S1	S4S/S4S1	S5S/S5S1	
	316L不锈钢	S1SL/S1SL1	S2SL/S2SL2	S3SL/S3SL1	S4SL/S4SL1	S5SL/S5SL1	

注：该产品标准压力接口为G1/4内螺纹，其他接口形式可订制。例：压力接口为G1/4内螺纹，304不锈钢，则压力接口代号为S3L。

电气接口参数表

电气接口尺寸	M18*1.5 (F/M)	M20*1.5 (F/M)	G1/2 (F/M)	G1/4 (F/M)	1/4NPT (F/M)	1/2NPT (F/M)	3/4NPT (F/M)
电气接口代号	E0S/E0S1	E1S/E1S1	E2S/E2S1	E3S/E3S1	E4S/E4S1	E5S/E5S1	E6S/E6S1

注：该产品标准电气接口为M18*1.5内螺纹，并配有电缆接头；其他接口可订制，不附带电缆接头。

介质温度参数表

LT:80° ~180°	HT:180° ~350°	MT:-15° ~-80°	DZ:-40° ~-15° (需订制)
--------------	---------------	---------------	---------------------

量程参数表

量程代号	量程	死区	切换频率	传感器材质
GM010	-0.1~0MPa	≤0.004MPa	20次/分	316L
GM016	0.006~0.06MPa	≤0.004MPa	20次/分	316L
GM100	0.02~1.0MPa	≤0.025MPa	20次/分	316L
GM250	0.05~2.5MPa	≤0.03MPa	20次/分	316L
GM600	0.3~6MPa	≤0.035MPa	20次/分	316L
GG10	1~10MPa	≤0.35MPa	20次/分	316L
GG18	1~16MPa	≤0.35MPa	20次/分	316L
GG25	2~25MPa	≤0.5MPa	20次/分	316L

HN3051系列压力变送器



概要

HN3051系列压力变送器用于工业过程全系列差压、压力、绝对压力的测量，具有模拟或数字输信号。广泛应用于石油、化工、电力、食品、造纸、市政工程等行业。

HN3051系列产品：

- CD系列差压变送器
- CG系列压力变送器
- CA系列绝压变送器
- L系列液位变送器
- H系列高温高压型压力变送器
- T系列表压与绝压变送器
- F系列卫生型压力变送器
- P系列高温防腐型压力变送器

主要技术指标

- 量程比：100：1
- 精度高：0.075%
- 智能：HART现场总线协议
- 低温漂：数字温度传感器自动补偿
- 规格全：-100pa~120Mpa
- 耐腐蚀：提供316L、哈氏合金、钽等
- 耐压性能好：常规14Mpa
- 高静压32Mpa
- 防爆：本安型（iallCT4/T6）
隔爆型（dIICT4/T6）

性能

工业领域中最佳的总体性能 $\pm 0.15\%$ ，令回路性能最优化
五年稳定性 $\pm 0.15\%$ 。可大大降低校验和维护费用
更快的动态响应，可降低过程的可变性
引进技术可实现全面测量方案
本地 / 外部：零点 / 量程调整

全面解决方案

小巧而质轻的设计，具有最佳的性能，高量程比对现场的库存要求最低

可采用一体化安装阀组，可节约安装费，因为公司可将变送器和词组在工厂一体化装配，并在工厂完成了泄漏检查和校验

1199“调整型”直接安装式远传可节约采购和安装费用20%以上，性能提高超过10%，响应时间加快10%以上

主要元件均采用进口

具有国内外最新压力变送器的结构优点和良好性能
通用型安装结构及规格，替代能力强，是新一代压力测量的优秀换代产品

产品介绍

3051C型差压，表压与绝压变送器

性能优异：精度0.075%，量程比100:1
差压：校验量程从0.1 kPa至21 Mpa
表压：校验量程从0.1 2kPa至21 Mpa
绝压：校验量程从1 5kPa至21 MPa
过程隔离膜片：不锈钢，哈氏合金、蒙乃尔、钽(仅限CD, CG)及镀金蒙乃尔、镀金不锈钢
设计小巧、坚固而质轻，易于安装
复合量程(仅限CD, CG)，可测量负压

3051T型表压与绝压变送器

性能优异：精度0.075%
绝压：校验量程从0.12kPa至120MPa
表压：校验量程从0.12kPa至120MPa
不锈钢与哈氏合金C过程隔离膜片
灌充液：硅油与惰性液
可选DIN和与压力反应罐相配的过程相连
复合量程(仅限TG)，可测量负压
最大过压达1000倍以上

3051 L型液位变送器

液位测量精度达0.1%
校验量程从0.4kPa至2.1 MPa
平膜片式，2-，4-，与6英寸伸出式膜片
多种灌注液可选，可满足不同应用场合要求
小巧而质轻，易于安装与维护
接液件材料：不锈钢，哈氏合金和钽

产品说明

传感膜头

3051C型采用先进技术及生产线制造的高品质传感器。传感器与过程介质和外部环境保持机械、电气及热隔离。传感器远离过程法兰，移至电子外壳的颈部，可实现机械隔离和热隔离。该设计使传感器不与过程热源直接接触，并释放了传感器杯体上的机械应力，可提高静压性能。

玻璃密封的压力输送管与传感器杯体绝缘安装，保证了电气绝缘，可提高电子线路的灵活性、性能与耐瞬变电压保护的能力。

3051C型传感膜头还进行温度测量，用于补偿温度影响。

在工厂的特性化过程中，所有传感器都经受了整个工作范围内的压力与温度循环测试。根据由此得来的数据产生修正系数，然后将系数贮存于传感膜头的内存中，从而可保证变送器运行过程中能精确地进行信号修正。

该种传感膜头的内存也可帮助加快维修过程。因为所有膜头的特性值都贮存在膜头中，所以可直接更换线路板而无需重新校验或拆下独立的贮存。使用HART手操器可以方便地对3051型进行组态。组态由两部分组成。首先，设定变送器的工作参数，包括：修正系数的PROM。

传感膜头内还有线路板，它将输入的电容与温度信号直接转换成可供电子板模块进一步处理的数字化信号。

电子线路板

电子板采用专用集成电路(ASIC)与表面封装技术。该板接收来自传感膜头的数字输入信号及其修正系数，然后对信号进行修正与线性化。电子板模块的输出部分将数字信号转为模拟输出，并与HART手操器进行通讯。标准的模拟型输出为4-20mA。

可选液晶表头插在电子板上，以压力、流量或液位工程单位或模拟量程值百分比显示数字输出，变送器均可选用液晶表头。

数据存贮

组态数据存贮于变送器电子板模块的永久性EEPROM存贮器中。变送器掉电后，数据仍保存，故而上电后变送器能立即工作。

数 / 模转换与信号传送

过程变量以数字式数据存贮，可以进行精确地修正和工程单位的转换。信号经修正后的数据转换为模拟输出信号。HART手操器可以直接以数据信号方式存取传感器读数，不经过数，模转换以得到更高精度。

通讯格式

3051型采用HART协议进行通讯，该协议使用了工业标准Bell202频移调制(FSK)技术。在模拟输出上叠加高频信号可以进行远程通讯。采用该技术，能在不影响回路完整性的情况下，实现同时通讯和输出。

软件功能

HART协议使用户可以容易地使用3051型的组态，测试与具体设定的功能。

组态

使用HART手操器可以方便地对3051型进行组态。组态由两部分组成。首先，设定变送器的工作参数，包括：
零点与量程设定点
线性或平方根输出
阻尼工程单位选择

其次，可将信息性数据输入变送器，以便对变送器进行识别与物理描述，包括：

工位号：8个字母数字字符

描述符：16个字母数字字符

日期

一体化表头安装

法兰类型

排液 / 排气阀材料

O型环材料

远传信息

除以上讨论的可组态参数外，3051型软件中还包含一些用户不可变更的信息：变送器类型，传感器极限值，最小量程，灌注液，隔离膜片材料，膜头系列号及变送器软件版本号。

测试

3051型可以进行连续自检。当出现问题时，变送器将激活用户选定的模拟输出报警。HART手操器可以查询变送器，确定问题所在。变送器向手操器输出特定信息，以识别问题，从而快速而便捷地采取维修措施。若操作员确认是回路有问题，可让变送器给出特定输出，以供回路测试。

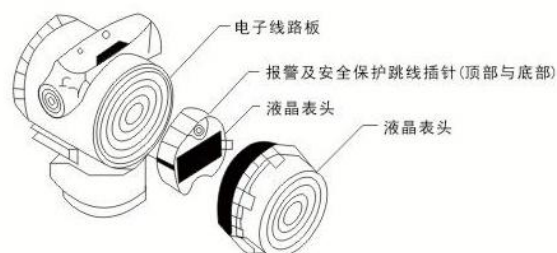
具体设定

在变送器初始化阶段和数字电子板维护时需进行具体设定。它允许对传感器与模拟输出进行微调，以符合工厂压力标准。此外，特性化功能令用户可防止模拟输出设定点被意外或故意调整。

选择

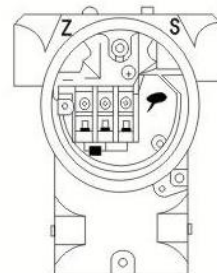
液晶表头

M5数字表头，液晶显示
直接显示数字数据，精度更高
按用户要求显示流量、液位、体积或压力单位
显示诊断信息，用于现场故障检修
可旋转90°，便于安装



本机量程与零点调整

作为标准配制，变送器带有本机量程与零点调整钮
非交互蔓外部零点与量程调整，易于校验
按钮代替标准电位计进行调整，以实现最佳性能



耐瞬变电压保护

一体化耐瞬变电压保护端子块

法兰与接头用螺栓

法兰与接头可配用不同材料的螺栓
标准材料为电镀碳钢

规格

性能指标

总体性能是基于参考精度，环境温度影响与量程静压影响的综合误差。

3051C型 (量程4-9)、3051T

参考精度 $\pm 0.075\%$ 量程

总体性能提高

$\pm 0.15\%$ 量程，在 $\pm 50^\circ \text{F} (28^\circ \text{C})$ 温度变化，最大 6.9MPa 静压 (仅限 CD)，1:1 至 5:1 量程比的条件下。

稳定性提高

$\pm 0.125\%$ URL，5年，在温度变化 $\pm 50^\circ \text{F} (28^\circ \text{C})$ ，静压最大为 6.9MPa 条件下。

动态性能总的响应时间(Td+Tc)

100毫秒(HART输出)

3051CD型，微差压(量程2-3)

参考精度 $\pm 0.10\%$ 量程

稳定性 $\pm 0.2\%$ URL，1年

3051L型—液位测量

参考精度 $\pm 0.075\%$ 量程

3051H型—高温、高压

稳定性

量程4~5: $\pm 0.1\%$ URL，12个月
量程6~9: $\pm 0.2\%$ URL，12个月

具体性能指标

(零基量程，参考条件。硅油充液，316不锈钢隔离膜片，20mA模拟输出。数字微调值等于量程设定点值。)

参考精度

(参考精度包括迟滞性、基于端子的线性、设定能力和重复性。)

3051 CD量程4-9和3051 CG

$\pm 0.075\%$ 量程
超过10:1的量程，精度=
 $\pm [0.015 + 0.005 \left(\frac{\text{URL}}{\text{量程}}\right)]\%$ 量程

3051 CD量程3

$+0.10\%$ 量程
超过15:1的量程，精度=
 $\pm [0.025 + 0.005 \left(\frac{\text{URL}}{\text{量程}}\right)]\%$ 量程

3051 CD量程2

$\pm 0.10\%$ 量程
超过2:1的量程

3051T / CA量程4-10

±0.075%量程
超过10:1的量程, 精度=
±[0.0075($\frac{URL}{量程}$)]%量程

3051 T量程3

±0.075%精度
超过10:1的量程, 精度=
±[0.0075($\frac{URL}{量程}$)]%量程

3051L

±0.1%量程
超过10:1的量程, 精度=
±[0.025+0.005($\frac{URL}{量程}$)]%量程

环境温度影响(每50° F(28°C)影响)

3051 CD / CG

1:1至5:1: ±(0.0125%URL+0.0625%量程)
5:1至100:1: ±(0.025%URL+0.125%量程)
量程0: ±(0.25%URL+0.05%量程)
量程1: ±(0.1%URL+0.25%量程)

3051T和3051 CA

1:1至100:1: ±(0.025%URL+0.125%量程)
3051T量程5: ±(0.1%URL+0.15%量程)
3051T量程1:
1:1至100:1: ±(0.025%URL+0.125%量程)

静压每变化6.9MPa的影响

3051CD

零点误差 (可标定消除)

静压从2至4, 13.7MPa时, ±0.05%URL
静压大于13.7MPa时, 见用户手册
量程2: ±0.125%量程 / 689kPa
量程3: ±0.25%URL

量程误差

量程4-5 ±0.1%读数
量程2: ±0.15%量程 / 689kPa
量程3: ±0.4%读数

动态性能

延迟时间和刷新速率适用于所有型号和量程, 仅限模拟输出。

延迟时间(Td):45毫秒(名义值)

刷新速率: 22闪/秒

总的影响时间(Td+Tc):

3051C 4-20mA/HART

量程4-9:100毫秒
量程3:255毫秒
量程2:700毫秒

3051T

量程3-10:100毫秒

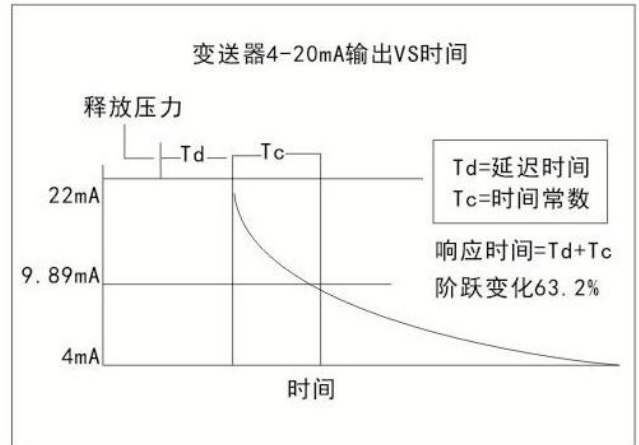


图1.典型的智能变送器的响应时间

安装位置影响

3051C

零点最多漂移 ±0.31 kPa, 可修正掉。无量程影响

3051L

若液位膜片处于垂直位置, 零点至多漂移0.25kPa。
若液位膜片处于水平位置, 零点至多漂移1.25kPa加上伸出装置的伸出长度。所有零点漂移均可修正掉。
无量程影响。

3051T/CA

零点最多漂移0.6kPa, 可修正掉。无量程影响。

振动影响

所有型号

只考虑谐振频率影响, 其它振动影响均忽略不计。
在谐振下, 与管道轴向成任意角度的方向施加15-2000Hz的振动进行测试, 振动影响小于 ±0.1%URL / g。

电源影响

所有型号

小于 ±0.01%量程/伏

射频干扰影响

所有型号

小于 ±0.1%量程, 20至1000MHz, 场强达到30伏/米

耐瞬变电压保护 (选项代码T1)

所有型号

6kV峰值(0.5 μs-100KHz)
3kV峰值(8 × 20ms)
6kV峰值(12 × 50ms); SWC2.5kV峰值, 1.25MHz波形

综合性能指标

响应时间: <1纳秒
浪涌峰值电流: 5,000安培, 对外壳
瞬变峰值电压: 100VDC
回路阻抗: <25Ω

注意:

按ASME Z210.1(ANSI)在68° F(20°C)下进行
校验。

量程与传感器极限值

表1.3051CD, 3051CG, 3051L, 3051H型的量程与传感器极限值

量程	最小量程		量程与传感器极限值					
	3051CD CG, L, H型	量程上限 (URL)	量程下限 (URL)					
			3051CD 差压	3051CG 表压	3051L 差压	3051L 表压	3051H 差压	3051H 表压
2	10mmH ₂ O (100Pa)	150mmH ₂ O (1500Pa)	-150mmH ₂ O (-1500Pa)	-150mmH ₂ O (-1500Pa)	NA	NA	NA	NA
3	12mmH ₂ O (0.12kPa)	750mmH ₂ O (7.5kPa)	-750mmH ₂ O (-7.5kPa)	-750mmH ₂ O (-7.5kPa)	-750mmH ₂ O (-7.5kPa)	-750mmH ₂ O (-7.5kPa)	-750mmH ₂ O (-7.5kPa)	-750mmH ₂ O (-7.5kPa)
4	40mmH ₂ O (0.4kPa)	4mH ₂ O (40kPa)	-4mH ₂ O (-40kPa)	-4mH ₂ O (-40kPa)	-4mH ₂ O (-40kPa)	-4mH ₂ O (-40kPa)	-4mH ₂ O (-40kPa)	-4mH ₂ O (-40kPa)
5	200mmH ₂ O (200kPa)	20mH ₂ O (200kPa)	-20mH ₂ O (-200kPa)	-10mH ₂ O (-100kPa)	-20mH ₂ O (-200kPa)	-10mH ₂ O (-100kPa)	-20mH ₂ O (-200kPa)	-10mH ₂ O (-100kPa)
6	700mmH ₂ O (7kPa)	70mmH ₂ O (700kPa)	-70mmH ₂ O (-700kPa)	-10mH ₂ O (-100kPa)	-70mmH ₂ O (-700kPa)	-10mH ₂ O (-100kPa)	-70mmH ₂ O (-700kPa)	-10mH ₂ O (-100kPa)
7	2.1mH ₂ O (21kPa)	210mH ₂ O (2.1MPa)	-210mH ₂ O (-2.1MPa)	-10mH ₂ O (-100kPa)	-210mH ₂ O (-2.1MPa)	-10mH ₂ O (-100kPa)	-210mH ₂ O (-2.1MPa)	-10mH ₂ O (-100kPa)
8	7.0mH ₂ O (70kPa)	700mH ₂ O (7MPa)	-700mH ₂ O (-7MPa)	-10mH ₂ O (-100kPa)	NA	NA	-700mH ₂ O (-7MPa)	-10mH ₂ O (-100kPa)
9	12mH ₂ O (120kPa)	2100mH ₂ O (21MPa)	-2100mH ₂ O (-21MPa)	-10mH ₂ O (-100kPa)	NA	NA	-2100mH ₂ O (-21MPa)	-10mH ₂ O (-100kPa)

表2.3051T型量程与传感器极限值

量程	最小量程	量程与传感器极限值		
		量程上限	最程下限 绝压	最程下限 表压
3	12mmH ₂ O (0.12kPa)	750mmH ₂ O (7.5kPa)	0mmH ₂ O (0kPa)	-750mmH ₂ O (-7.5kPa)
4	40mmH ₂ O (0.4kPa)	4mH ₂ O (40kPa)	0mmH ₂ O (0kPa)	-4mH ₂ O (-40kPa)
5	200mmH ₂ O (2.00kPa)	20mH ₂ O (200kPa)	0mmH ₂ O (0kPa)	-10mH ₂ O (-100kPa)
6	700mmH ₂ O (7kPa)	70mH ₂ O (700kPa)	0mmH ₂ O (0kPa)	-10mH ₂ O (-100kPa)
7	2.1mH ₂ O (21kPa)	210mH ₂ O (2.1MPa)	0mmH ₂ O (0kPa)	-10mH ₂ O (-100kPa)
8	10mH ₂ O (100kPa)	1000mH ₂ O (10MPa)	0mmH ₂ O (0kPa)	-10mH ₂ O (-100kPa)
9	40mH ₂ O (400kPa)	4000mH ₂ O (40MPa)	0mmH ₂ O (0kPa)	-10mH ₂ O (-100kPa)
10	120mH ₂ O (1.2MPa)	12kmH ₂ O (120MPa)	0mmH ₂ O (0kPa)	-10mH ₂ O (-100kPa)

设大气压为14ppsi

零点与量程调整要求

零点与量程值可在表1—表3中所标明的量程极限内任意设定。

量程必须大于或等于表1—表3中所标明的最小量程。

应用场合

液体，气体与蒸汽的测量场合

4—20mA(输出代码A)

输出

二线4—20mA，用户可选线性或平方根输出。数字过程变量叠加于4—20mA信号上，适用于任何使用HART协议的主机。

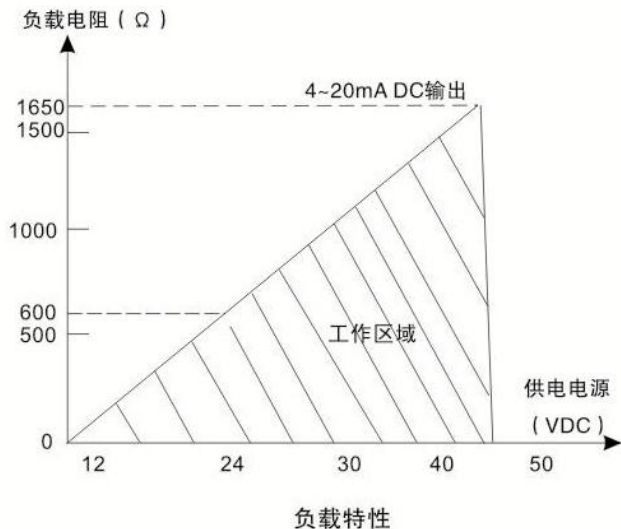
电源

需要外部电源。标准变送器(4—20 mA)空载时工作在10.5—55Vdc。

回路负载极限

最大回路电阻由外部电源供电电压决定，关系如下：

最大回路电阻=41.5(电源电压-10.5)



指示

可选教字液晶表头。

过压极限

变送器可承受以下极限压力而不致损坏

3051 CD/CG型

量程2—6: 3.5MPa

量程7: 13.8MPa

量程8: 40MPa

量程9: 100MPa

3051CA型

量程2—6: 3.5MPa

量程7: 13.8MPa

量程8: 40MPa

量程9: 100MPa

3051TG / TA型

量程3—6: 3.5MPa

量程7: 10MPa

量程8: 13.8MPa

量程9: 60MPa

量程10: 150MPa

对于3051 L型或选项代码为FA, FB, FC与FD的液位法兰, 极限值为0kPa至法兰额定值或传感器额定压力值中的小者。

表3 3051 L型与液位法兰额定压力极限

标准	类型	碳钢额定值	不锈钢额定值
ANSI / ASME	Class150	285psig	275psig
ANSI / ASME	Class300	740psig	720psig
ANSI / ASME	Class600	1480psig	1440psig
100°F(38°C)下, 额定值随温度升高而降低。			
DLN	PNL0-40	40BAR	40BAR
D1N	PNL0 / 60	16BAR	16BAR
DIN	PN25 / 40	40BAR	40BAR
248°F(120°C)下, 额定值随温度升高而降低。			

静压极限

仅限3051CD型

在3.45kPa至24.8MPa(选项P9为31.0MPa)的静压下, 工作在指标范围内。

量程3: 3.45kPa至5.1MPa

量程4: 3.45kPa至13.7MPa

冲击压力极限

3051T型; 冲击压力为:

量程3—6: 13MPa

量程7—10: 175MPa

温度极限

环境

-40至85°C

带一体化表头: -20至80°C

贮存

-40至100°C

带一体化表头: -40至85°C

过程

大于等于大气压下, 见表4。

表4. 3051型过程温度极限

3051 CD, 3051 CG, 3051 CA	
充硅油传感器	-40至121℃ ⁽²⁾
配传统法兰	-40至149℃ ⁽²⁾
配液位法兰	-40至149℃ ⁽²⁾
一体化阀组	
充惰性液传感器	-18至85℃ ^(3,4)
3051 H型(过程充液)	
D. C硅油200 ⁽¹⁾	-40至191℃
惰性液	-45至177℃ ⁽⁴⁾
Neobee M-20 ⁽¹⁾	-18至191℃
3051T型(过程充液)	
充硅油传感器	-40至121℃ ⁽²⁾
充惰性液传感器	-30至121℃ ⁽²⁾
3051 L型低压侧温度极限	
充硅油传感器	-40至121℃
充惰性液传感器	-18至85℃
3051 L型高压侧温度极限(过程充液)	
SylthermXLT	-100至300°F(-73至149℃)
Syltherm硅油704	60至572°F(15至300℃)
D.C.硅油200	-40至400°F(-40至205℃)
惰性液	-50至350°F(-45至177℃)

(1)过程温度超过185° F(85℃), 要求环境温度极限降低超出值的1/1.5(3051H型降低1/0.6)。

(2)真空环境下极限为220° F(104℃), 压力低于3.4kPa时极限为130° F(54℃)

(3)真空环境下极限为160° F(71℃)

(4)不适用于3051CA型。

(5)温度上限适用于使用毛细管, 远离变送器安装的远传密封装置

容积变化量

小于0.005in³(0.08cm³)

阻尼

模拟输出对阶跃输入变化的响应时间是由用户选择的一个时间常数(0—36秒)。该软件设定阻尼值不包括传感膜头的响应时间。

机械性能指标

电气接口

1/2-14NPT, PGI3.5, G1/2与M20 X 1.5(CM20)导线管。
HART接口固定于端子块上。

过程接口

所有型号(除3051 L与3051T)
1/4-18NPT, 中心距为21/8英寸。
1/2-14NPT, 中心距为2, 21/8或21/4英寸。

3051L型

高压侧: 2-, 3-或4-英寸, ANSI150、300或600级法兰; 50、80或100毫米, PN40

或10/16法兰。

低压侧: 法兰上, 1/4-18NPT

接头上, 1/2-14NPT

3051L型

1/4-18NPT、1/2-14NPT阴螺纹, G1/2A D1N16288阳螺纹(仅限不锈钢, 量程3-7变送器), 或压力反应罐F-250-C型(减压9/16-18压盖螺纹; 1/4OD高压60 锥型管; 仅限不锈钢, 量程7变送器)。

过程接液件

过程隔离膜片

隔离膜片材料	3051CD / CG	3051T	3051CA	3051H	3051 L
316L不锈钢	•	•	•	•	见后
哈氏金 C-276	•	•	•	•	
蒙乃尔	•		•		
钽	•			•	

排液 / 排气阀

316不锈钢, 哈氏合金C或蒙乃尔材料

过程法兰与接头

电镀碳钢, 316不锈钢, 哈氏合金C或蒙乃尔。

接液O型环

氟橡胶(或聚四氟乙烯)

3051 L型过程接液件

法兰式过程接口(变送器高压侧)

过程膜片, 包括过程垫圈接触表面

316L不锈钢, 哈氏合金C-276或钽

伸出部分

316L不锈钢, 或哈氏合金C。适用Schedule40与80管。

安装法兰

碳钢镀锌或不锈钢

参考侧过程连接(变送器低压侧)

隔离膜片

316L不锈钢或哈氏合金C-276

参考侧法兰与接头

316L不锈钢

非接液件

电子外壳

低铜铝或316L不锈钢, NENA4X, IP65, IP66

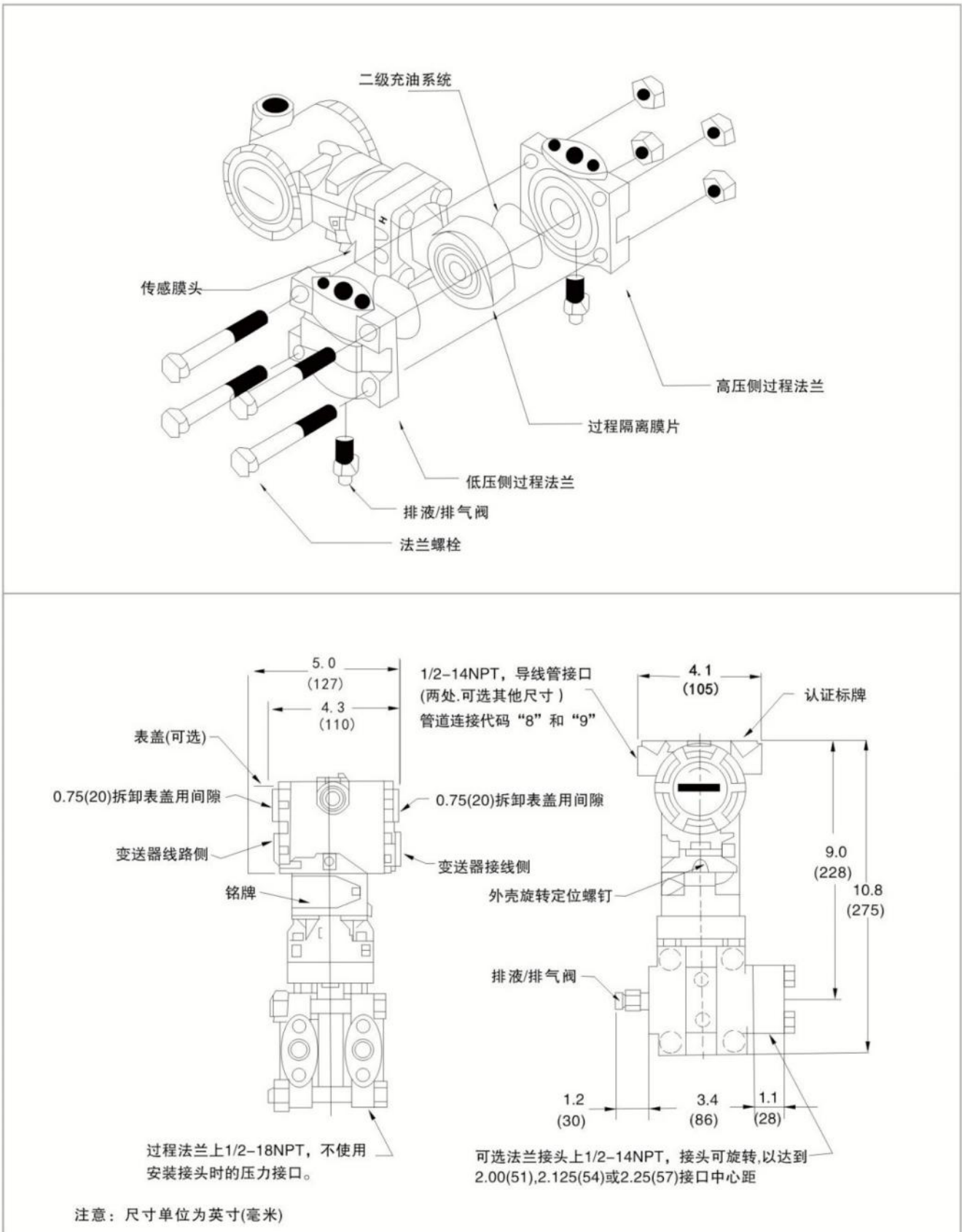
涂层 (仅限铝外壳)

聚氨酯

表盖O型环

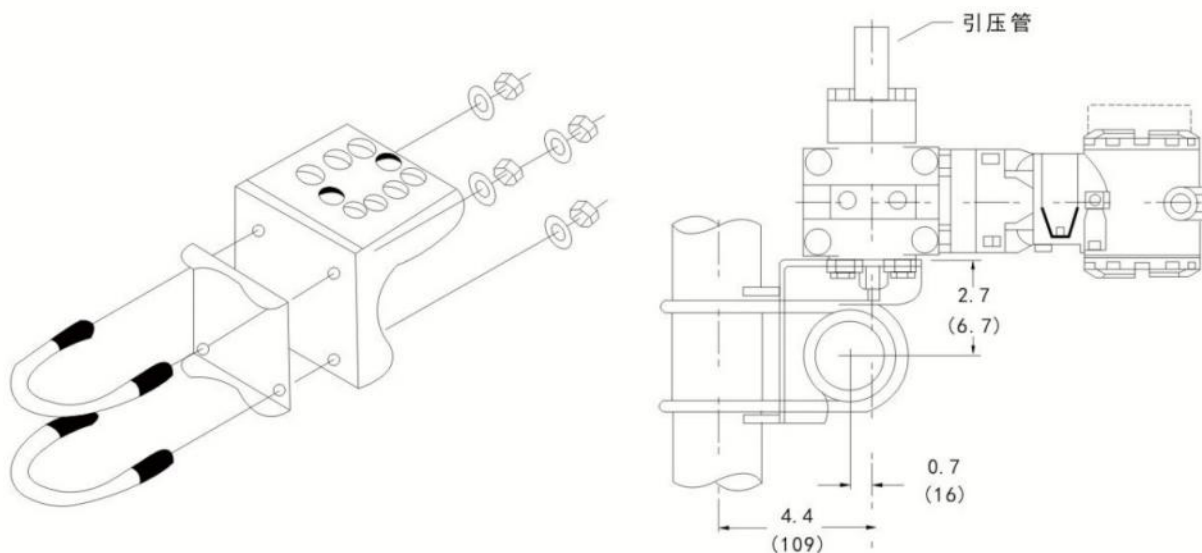
丁腈橡胶

3051C型压力变送器部件分解图与尺寸图

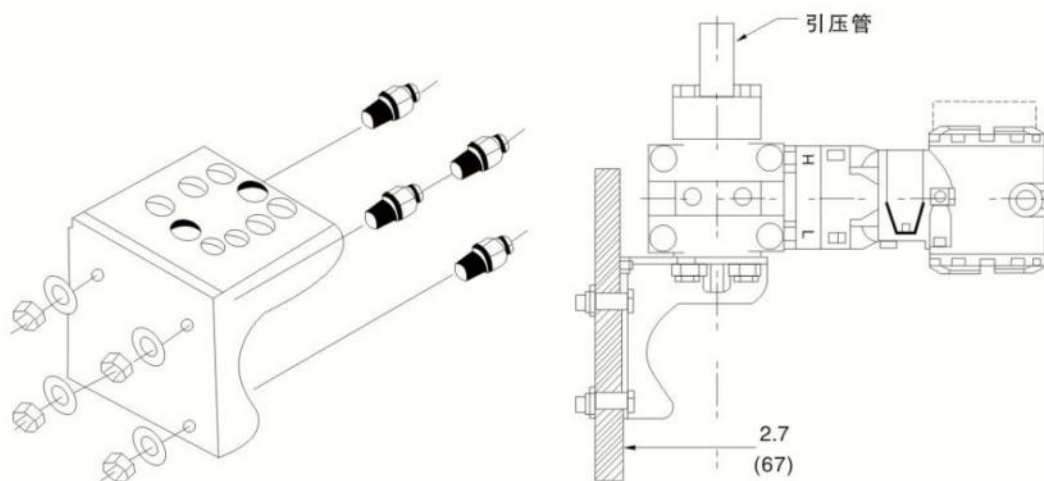


3051C型安装支架，用于2英寸管道安装和面板安装

管道安装结构图

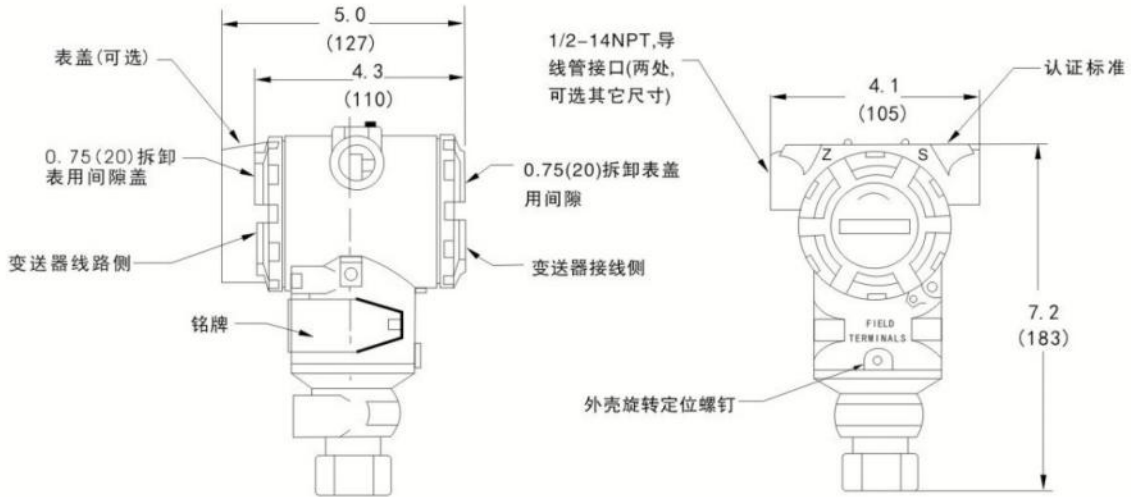


面板安装结构图提供7/16-20X3/4螺栓用于支架与变送器相连

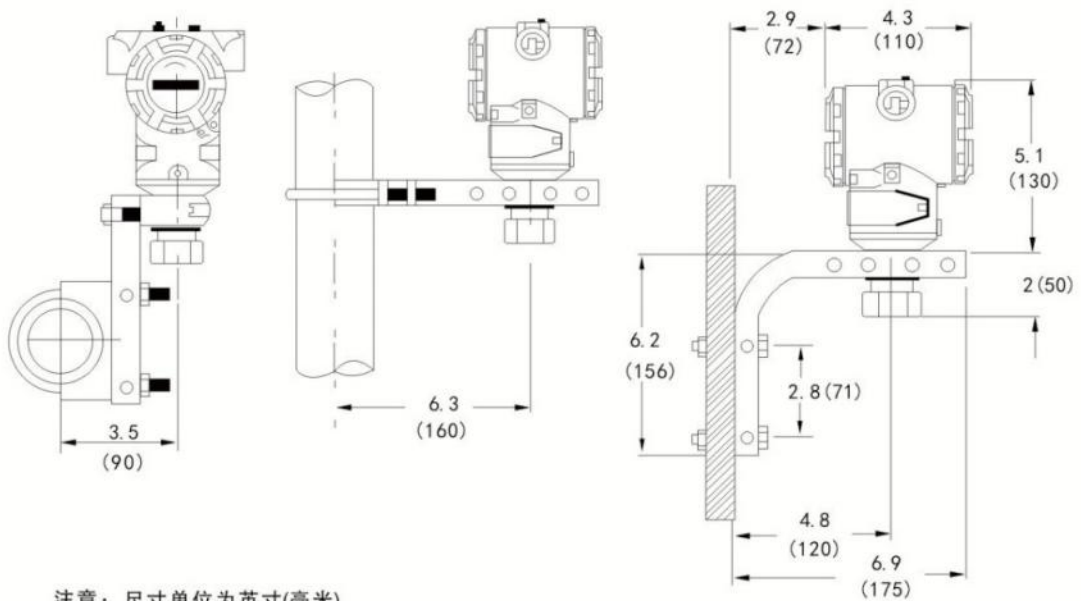


注意：尺寸单位为英寸(毫米)

3051C型典型安装结构，带有可选安装支架



3051C型尺寸图



注意：尺寸单位为英寸(毫米)

3051C型差压、表压与绝压变送器选型

型号	变送器类型(选其一)			CD	CG	CA
3051CD 3051CG 3051CA	差压变送器 表压变送器 绝压变送器			·	·	·
代码	压力范围(量程/最小量程)			CD	CG	CA
	3051CD型	3051CG型	3051CA型			
2	-150至150mmH ₂ O/10mmH ₂ O (-1500至1500Pa/100Pa)	不提供	不提供	·	—	—
3	-750至750mmH ₂ O / 12mmH ₂ O (-7500至7500Pa / 120Pa)	-750至750mmH ₂ O / 12mmH ₂ O (-7500至7500Pa / 120Pa)	-750至750mmH ₂ O / 12mmH ₂ O (-7500至7500Pa / 120Pa)	·	·	·
4	-4.0至40mH ₂ O/40mmH ₂ O (-40至40kPa / 0.4kPa)	-4.0至40mH ₂ O/40mmH ₂ O (-40至40kPa / 0.4kPa)	-4.0至40mH ₂ O/40mmH ₂ O (-40至40kPa / 0.4kPa)	·	·	·
5	-20至20mH ₂ O / 0.2mH ₂ O (-200至200kPa / 2.0kPa)	-10至20mH ₂ O / 0.2mH ₂ O (-100至200kPa / 2.0kPa)	-10至20mH ₂ O / 0.2mH ₂ O (-100至200kPa / 2.0kPa)	·	·	·
6	-70至70mH ₂ O / 0.7mH ₂ O (-700至700kPa / 7.0kPa)	-10至70mH ₂ O / 0.7mH ₂ O (-100至700kPa / 7.0kPa)	-10至70mH ₂ O / 0.7mH ₂ O (-100至700kPa / 7.0kPa)	·	·	·
7	-210至210mH ₂ O / 2.1mH ₂ O (-2.1至2.1MPa/21kPa)	-10至210mH ₂ O / 2.1mH ₂ O (-0.1至2.1MPa / 21kPa)	-10至210mH ₂ O / 2.1mH ₂ O (-0.1至2.1MPa / 21kPa)	·	·	·
8	-700至700mH ₂ O/7.0mH ₂ O (-7.0至7.0MPa / 70kPa)	-10至700mH ₂ O / 7.0mH ₂ O (-0.1至2.1MPa / 21kPa)	-10至700mH ₂ O / 7.0mH ₂ O (-0.1至2.1MPa / 21kPa)	·	·	·
9	-2100至2100mH ₂ O / 21mH ₂ O (-21至21MPa / 210kPa)	-10至2100mH ₂ O / 21mH ₂ O (-0.1至21MPa / 21kPa)	-10至2100mH ₂ O / 21mH ₂ O (-0.1至21MPa / 21kPa)	·	·	·
注: 3051CG型的量程下限随大气压的变化而改变。						
代码	输出			CD	CG	CA
A	4-20mA, 带有基于HART协议的数字信号			·	·	·
代码	结构件材料			CD	CG	CA
	法兰材料	排液/排气阀	法兰接头材料			
5	电镀碳钢	不锈钢	电镀碳钢	·	·	·
2	不锈钢	不锈钢	不锈钢	·	·	·
3	不锈钢	哈氏合金C	哈氏合金C	·	·	·
8	电镀碳钢	哈氏合金C	电镀碳钢	·	·	·
7	不锈钢	哈氏合金C	不锈钢	·	·	·
代码	隔离膜片材料			CD	CG	CA
2	316L不锈钢			·	·	·
3	哈氏合金C-276			·	·	·
4	蒙乃尔			·	·	·
5	钽(仅适用于3051CD与CG型, 量程4-9。不适用于3051CA型)			·	·	·
代码	O型环			CD	CG	CA
A	氟橡胶			·	·	·
B	聚四氟乙烯			·	·	·
代码	灌充液			CD	CG	CA
1	硅油			·	·	·
2	隋性液(卤代烃)			·	·	·
代码	外壳材料 导线管入口尺寸			CD	CG	CA
B	铝, 覆聚酯涂层 M20x1.5(CM20)			·	·	·

注意: 特殊选项请与销售代表联系。

◉ (续) 选项

代码	阀组一体化安装选项	CD	CG	CA
S5	一体化安装型阀组	.	.	.
代码	远传(可远) 注:标准法兰和接头螺栓是316不锈钢	CD	CG	CA
S1	一个远传(直接安装式或毛细管式)	.	.	.
S2	两个远传(直接安装式或毛细管式)	.	.	.
代码	可选全焊接远传(用于高真空场合) 注:标准法兰和接头螺栓是不锈钢	CD	CG	CA
S7	一个远传. 全焊接系统(毛细管式)	.	.	.
S8	两个远传. 全焊接系统(毛细管直)	.	.	.
S0	一个远传, 全焊接系统(直接安装式)	.	.	.
S9	两个远传, 全焊接系统 (一个直接安装式, 一个毛细管式)	.	.	.
代码	安装支架选项	CD	CG	CA
B1	传统法兰支架, 用于2英寸管道安装, 碳钢螺栓	.	.	.
B2	传统法兰支架, 用于面板安装, 碳钢螺栓	.	.	.
B7	传统法兰平支架, 用于2英寸管进安装. 碳钢螺栓	.	.	.
B8	B1支架. 配不锈钢螺栓	.	.	.
B9	B2支架. 配不锈钢螺栓	.	.	.
BA	B3支架. 配不锈钢螺栓	.	.	.
BC	不锈钢B1支架, 配不锈钢螺栓	.	.	.
	不锈钢B3支架, 配不锈钢螺栓	.	.	.
代码	螺栓选项	CD	CG	CA
L4	316不锈钢螺栓	.	.	.
L5	碳钢镀锌螺栓	.	.	.
代码	表头选项	CD	CG	CA
M5	液晶表头, 用于铝制外壳	.	.	.
代码	其它选项	CD	CG	CA
Q4	校证书	.	.	.
Q16	卫生型远传膜片表面光洁认证	.	.	.
Q3	安全型仪表系统的质量认证	.	.	.
J1	有本机零点或量程调整	.	.	.
J3	无本机零点或量程调整	.	.	.
T1	耐瞬变电压保护端子块	.	.	.
C1	定制软件组态	—	—	.
P1	静压测试	.	.	.
P2	清洗, 用于特殊应用场合	.	.	.
DF	1/2-14NPT过程接口(法兰按头)-材料与法兰材料相同	.	.	.
P9	30.1MPa静压极限 (仅限3051 CD型, 量程3-9)	.	—	—
V5	外部接地螺钉组件	.	.	.
代码	危险场所认证	CD	CG	CA
E5	本安IaII CT4/CT6			
K5	隔爆dIICT4/CT6			
			-46至110°C	
			带一体化表头: -40至85°C	

3051L型液位变送器选择型

型号	变送器类型				
3051L	法兰安装液位变送器				
代码	压力范围 (量程/最小量程)				
3	-750至750mmH ₂ O / 12mmH ₂ O(-7500至7500Pa / 4kPa)				
4	-4.0至4.0mH ₂ O / 40mmH ₂ O(-40至40kPa / 6kPa)				
5	-20至20mH ₂ O / 0.2mH ₂ O(-200至200kPa / 20kPa)				
6	-70至70mH ₂ O / 0.7mH ₂ O(-700至700kPa / 70kPa)				
7	-210至210mH ₂ O / 2.1mH ₂ O(-2.1至2.1MPa / 21 kPa)				
代码	输出				
A	4-20mA带有基于HART协议的数字信号				
代码	高压侧	材料	伸出长度	<p>注意:</p> <p>伸出直径符合SchedU1e80管。</p> <p>请向工厂咨询SchedU1e40管。</p>	
	隔膜片尺寸				
GO	2英寸 / DN50	316L不锈钢	只有平膜片式		
H0	2英寸 / DN50	哈氏合金	只有平膜片式		
J0	2英寸 / DNSO	钽	只有平膜片式		
AO	3英寸 / DNSO	316L不锈钢	平膜片式		
A2	3英寸 / DNSO	316L不锈钢	2英寸 / 50mm		
A4	3英寸 / DN80	316L不锈钢	4英寸 / 150mm		
A6	3英寸 / DN80	316L不锈钢	6英寸 / 150mm		
BO	4英寸 / DM100	316L不锈钢	平膜片式		
B2	4英寸 / DN100	316L不锈钢	2英寸 / 50mm		
B4	4英寸 / DM100	316L不锈钢	4英寸 / 100mm		
B6	4英寸 / DN100	316L不锈钢	6英寸 / 150mm		
C0	3英寸 / DN80	哈氏合金	平膜片式		
C2	3英寸 / DN80	哈氏合金	2英寸 / 50mm		
C4	3英寸 / DN80	哈氏合金	4英寸 / 100mm		
C6	3英寸 / DN80	哈氏合金	6英寸 / 150mm		
DO	4英寸 / DN100	哈氏合金	平膜片式		
D2	4英寸 / DN100	哈氏合金	2英寸 / 50mm		
D4	4英寸 / DN100	哈氏合金	4英寸 / 100mm		
D6	4英寸 / DN100	哈氏合金	6英寸 / 150mm		
EO	3英寸 / DN80	钽	只有平膜片式		
FO	4英寸 / DN100	钽	只有平膜片式		
代码	安装法兰尺寸	ANSI或DIN 法兰等级	材料	可适用的高压侧膜片尺寸	
M	2英寸	150级	ANSI	2英寸 DN50	
A	3英寸	150级		碳钢	3英寸 DNSO
B	4英寸	150级		碳钢	4英寸 DN100
N	2英寸	300级		碳钢	2英寸 DN50
C	3英寸	300级		碳钢	3英寸 DN80
D	4英寸	300级		碳钢	4英寸 DN100
p	2英寸	600级		碳钢	2英寸 DN50
E	3英寸	600级		碳钢	3英寸 DN80
X	2英寸	150级		不锈钢	2英寸 DN50
F	3英寸	150级		不锈钢	3英寸 DN80
G	4英寸	150级		不锈钢	4英寸 DN100
Y	2英寸	300级		不锈钢	2英寸 DN50
H	3英寸	300级		不锈钢	3英寸 DNSO
J	4英寸	300级		不锈钢	4英寸 DN100
Z	2英寸	600级		不锈钢	2英寸 DN50
L	3英寸	600级		不锈钢	3英寸 DN80
Q	DN50	PN10/16	DIN	2英寸 DN50	
R	DN80	PN40		碳钢	3英寸 DNSO
S	DN100	PN40		碳钢	4英寸 DN100
V	DN100	PN10/16		碳钢	4英寸 DN100
K	DN50	PN10/40		不锈钢	2英寸 DN50
T	DN80	PN40		不锈钢	3英寸 DN80
U	DN100	PN40		不锈钢	4英寸 DN100
W	DN100	Pn10/16		不锈钢	4英寸 DN100
代码	过程充液-高压侧	温度极限			
A	Syltherm XLT	-100至300° F(-73至135°C)			
C	Syltherm硅油704	60至572° F(15至300°C)			
D	D.C.硅油200	-40至400° F(-40至205°C)			

续选项

代码	低压侧结构	法兰接头	膜片材料	传感器充液		
11	表压	不锈钢	316L SST	硅油		
21	差压	不锈钢	316L SST	硅油		
22	差压	不锈钢	哈氏合金C-276	硅油		
23	差压	不锈钢	钽	硅油		
2A	差压	不锈钢	316L SST	惰性液 (卤代烃)		
2B	差压	不锈钢	哈氏合金C-275	惰性液 (卤代烃)		
2C	差压	不锈钢	钽	惰性液 (卤代烃)		
31	远传	不锈钢	316L SST	硅油 (要求选代码S1)		
代码	O型环材料					
A	氟橡胶					
代码	外壳材料	导管入口尺寸				
B	铝, 覆聚氨酯涂层 M20X1.5(CM20)					
代码	远传 (可选)					
S1	一个远传(低压侧代码应为31, 采用毛细管式远传)					
代码	法兰与接头用螺栓 (可选)					
L5	碳钢镀锌螺栓					
代码	表头 (选项)					
M5	液晶表头, 用于铝制外壳					
代码	其它选项					
Q4	校验数据单					
Q8	材料可跟踪性证书					
C1	定制软件组态					
CN	外部接地螺钉组件					
V5	下套冲洗连接选项					
代码	冲洗连接环材料	冲洗连接数量	尺寸	2英寸	膜片尺寸 3英寸	4英寸
F1	不锈钢	1	1/4	•	•	•
F2	不锈钢	2	1/4	•	•	•
F3	哈氏合金	1	1/4	•	•	•
F4	哈氏合金	2	1/4	•	•	•
F7	不锈钢	1	1/4	•	•	•
F8	不锈钢	2	1/4	•	•	•
F9	哈氏合金	1	1/4	•	•	•
F0	哈氏合金	2	1/4	•	•	•
(1) 注: F3, F4不适用于选项代码A0 B0, G0。						
典型型号: 3051 L 2 A A0 AD 21 A AM5						
代码	危险场所认证					
E5	本安iallCT4/CT6					
K5	隔爆dllCT4/CT6					

3051H高温高压变送器

型号	变送器类型 (选其一)			HD	HG
3051HD	差压变送器, 用于高温高压过程			.	.
3051HG	表压变送器, 用于高温高压过程			.	.
代码	压力范围 (量程/最小量程)			HD	HG
	3051HD型			3051HG型	
3	-750至750mmH ₂ O / 12mmH ₂ O (-7500至7500Pa / 120Pa)		-750至750mmH ₂ O / 12mmH ₂ O (-7500至7500Pa / 120Pa)	.	.
4	-4.0至4.0mH ₂ O / 40mmH ₂ O (-40至40kPa / 0.4kPa)		-4.0至4.0mH ₂ O / 40mmH ₂ O (-40至40kPa / 0.4kPa)	.	.
5	-20至20mH ₂ O / 0.2mH ₂ O (-200至200kPa / 2.0kPa)		-10至20mH ₂ O / 0.2mH ₂ O (-100至200kPa / 2.0kPa)	.	.
6	-70至70mH ₂ O / 0.7mH ₂ O (-700至700kPa / 7.0kPa)		-10至70mH ₂ O / 0.7mH ₂ O (-100至700kPa / 7.0kPa)	.	.
7	-210至210mH ₂ O / 2.1mH ₂ O (-2.1至2.1MPa/21kPa)		-10至210mH ₂ O / 2.1mH ₂ O (-0.1至2.1MPa/21kPa)	.	.
8	-700至700mH ₂ O / 7.0mH ₂ O (-7.0至70MPa / 70kPa)		-10至700mH ₂ O / 7.0mH ₂ O (-0.1至7.0MPa / 70kPa)	.	.
9	-2100至2100mH ₂ O / 21mH ₂ O (-21至21MPa/210kPa)		-10至2100mH ₂ O / 21mH ₂ O (-0.1至21MPa / 210kPa)	.	.
注: 3051HG型的量程下限随大气压的变化而改变。					
代码	输出			HD	HG
A	4-20mA, 带有基于HART协议的数字信号			.	.
代码	结构件材料			HD	HG
	法兰材料	排液/排气阀	法兰接头材料		
2	不锈钢	不锈钢	不锈钢	.	.
7	不锈钢	哈氏合金C	不锈钢	.	.
代码	隔离膜片材料			HD	HG
2	316L不锈钢			.	.
3	哈氏合金C-276			.	.
5	钽			.	.
代码	O型环			HD	HG
A	氟橡胶			.	.
代码	灌充液			HD	HG
1	硅油			.	.
2	惰性液(卤代烃)			.	.
代码	外壳材料	导线管入口尺寸		HD	HG
B	铝, 覆聚氨基酯涂层 M20x1.5(CM20)			.	.

续选项

代 码	安 装 支 架 选 项	HD	HG
B1	传统法兰支架, 用于2英寸管道安装, 碳钢螺栓	•	•
B2	传统法兰支架, 用于面板安装, 碳钢螺栓	•	•
B3	传统法兰平支架, 用于2英寸管过安装碳钢螺栓	•	•
B7	B1支架, 配不锈钢螺栓	•	•
B8	B2支架, 配不锈钢螺栓	•	•
B9	B3支架, 配不锈钢螺栓	•	•
BA	不锈钢B1支架, 配不锈钢螺栓	•	•
BC	不锈钢B3支架, 配不锈钢螺栓	•	•
代 码	螺 栓 选 项	HD	HG
L4	3164不锈钢螺栓	•	•
L5	碳钢镀锌螺栓	•	•
代 码	表 头 可 选	HD	HG
M5	液晶表头, 用于铝制外壳	•	•
代 码	其 它 选 项		
Q4	校验证书	•	•
Q16	卫生型远传膜片表面光洁认证 -	•	•
Q3	安全型仪表系统的质量认证	•	•
J1	有本机零点或量程调整	•	•
J3	无本机零点或量程调整	•	•
T1	耐瞬变电压保护端子块	•	•
C1	定制软件组态	—	—
P1	静压测试	•	•
P2	清洗, 用于特殊应用场合	•	•
DF	1 / 2-14NPT过程接口 (法兰按头)-材料与法兰材料相同	•	•
P9	31MPa静压极限(仅限305 I CD型, 量程2-5)	•	—
V5	外部接地螺钉组件	•	•
代 码	危 险 场 所 认 证		
E5	本安iaIICT4/CT6		
K5	隔爆dIICT4 / CT6		

3051T型表压与绝压变送器选型

型号	变送器类型	
3051T	压力变送器	
代码	压力类型	
G	表压	
A	绝压	
代码	压力量程 (量程/最小量程)	
	3051TG	3051TA
3	-750至750mmH ₂ O / 12ramH ₂ O(-7500至7500Pa / 120Pa)	0至750mmH ₂ O/12mmH ₂ O(0至7500Pa / 120Pa)
4	-4.0至40mH ₂ O/0mmH ₂ O(-40至40kPa/4kPa)	0至4.0mH ₂ O / 40mmH ₂ O(0至40kPa / 0.4kPa)
5	-10至220mH ₂ O/0.2mH ₂ O(-100至200kPa / 2.0kPa)	0至120mH ₂ O / 0.2mH ₂ O(0至200kPa / 2.0kPa)
6	-10至70mH ₂ O/0.7mH ₂ O(-100至700kPa / 7.0kPa)	0至70mH ₂ O / 0.7mH ₂ O(0至700kPa / 7.0kPa)
7	-10至210mH ₂ O / 2.1mH ₂ O(-0.1/21MPa / 21 kPa)	0至210mH ₂ O / 2.1mH ₂ O(0至2.1MPa/21kPa)
8	-10至1000mH ₂ O / 10.0mH ₂ O (-0.1至10.0MPa / 100kPa)	0至1000mH ₂ O / 10.0mH ₂ O(0至100MPa / 100kPa)
9	-10至4000mH ₂ O/40mH ₂ O (-0.1至40MPa/400kPa)	0至4000mH ₂ O/0mH ₂ O(0至40MPa / 400kPa)
10	-10至12000mH ₂ O / 120mH ₂ O (-0.1至120MPa/1200kPa)	0至12000mH ₂ O / 120mH ₂ O(0至120MPa/1200kPa)
注: 3051TG的量程下限随大气压变化而变化		
代码	输出	
A	4-20mA, 带有基于HART协议的数字信号	
代码	过程连接型式	
2B	1 / 2—14NPT阴螺纹	
2C	G1 / 2A DIN 16288阳螺纹	
2G	M20 × 1.5 DIN16288阳螺纹	
2F	锥形和螺纹方式. 适用于F-250—C型压力反应罐(包括压盖与箍. 仅限不锈钢, 量程5)	
代码	隔离膜片	过程连接液件材料
2	316L SST	316L SST
3	哈氏合金C—276	哈氏合金C—276
注: 符合NACE Mr01—75要求。		
代码	灌充液	
1	硅油	
2	惰性液	
代码	表头 (选项)	
M5	液晶表头, 用于铝制外壳	
代码	远传 (可选)	
A	一个远传 (直接安装式或毛细管式)	
代码	安装支架 (可选)	
B4	2英寸管道安装或面板安装支架, 全部为不锈钢	
代码	危险场所认证	
E5	本安IaIICT4/CT6	
K5	隔爆IICT4/CT6	

注: 如果加远传装置, 量程比为10: 1

1199远传膜片密封件系统

HN3051DP/3051GP/3051T变送器带远传密封装置后，就成为3051DP/GP/T远传差压/压力变送器

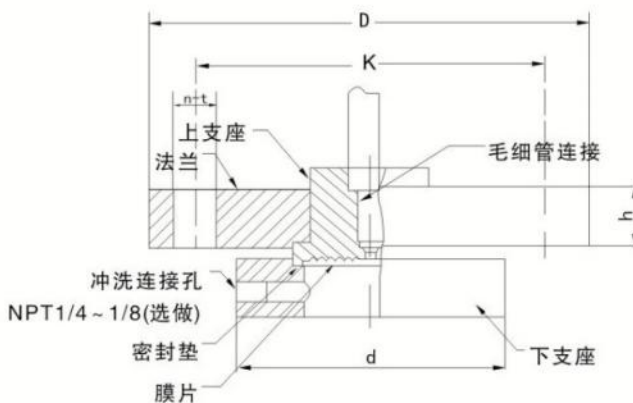
HN3051DP/GP/T远传差压/压力变送器，可避免被测介质直接和变送器的隔离膜片接触的可靠测量方法，它适用于下面几种情况：

- 1、被测介质对变送器接头和敏感元件有腐蚀作用时；
- 2、需要将高温被测介质与变送器隔离时；
- 3、被测介质中有固体悬浮物或高粘度易堵塞变送器接头和压力容室时；
- 4、被测介质用引压管引出易固化或结晶时
- 5、更换被测介质需要冲洗而不容交混时，
- 6、必须保持卫生条件，防止污染时。

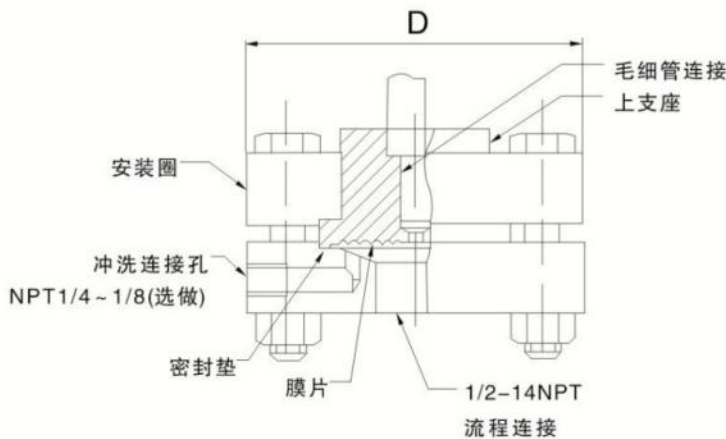
HN3051DP / GP/T型带传密封装置的远传差压 / 压力变送器，仍具有HN3051DP / GP/T型差压 / 压力变送器的各种特点：

提供多种结构材料，远传装置组件焊接结构可靠性强。充液腔低容积设计，减少温度影响，根据温度要求使用相应的灌充液。

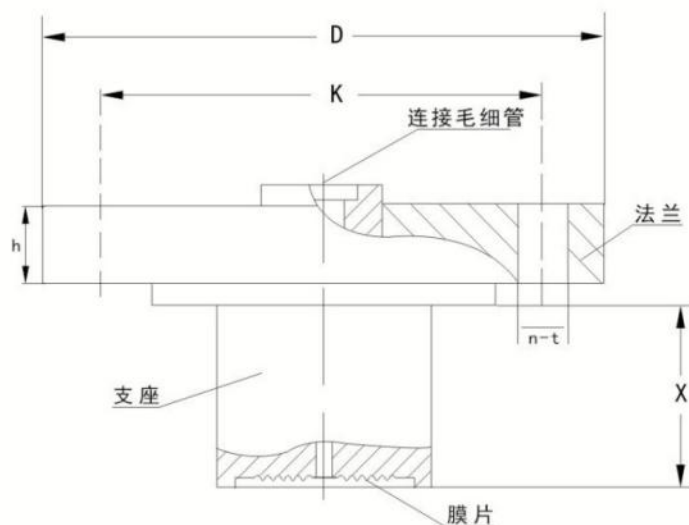
1199RTW型螺纹安装式远传装置（外形尺寸）



1199PFW型扁平式远传装置（外形尺寸）



1199EFW型插入筒式远传装置 (外形尺寸)



法兰安装尺寸表

管道尺寸	等级法兰	D (mm)	h (mm)	d (mm)	螺栓孔		
					K (mm)	n	t (mm)
1"	150lb	108	14.3	66.5	79.4	4	15.7
	300lb 600lb	124	17.5	66.5	88.9	4	19.1
1 1/2"	150lb	127	17.5	78.7	98.4	4	15.7
	300lb 600lb	156	20.6 22.2	78.7	114.3	4	22.4
3"	150lb	127	17.5	78.7	98.4	4	19.1
	300lb 600lb	165	22.2 25.4	95.2	127	4	19.1
4"	150lb	190	23.8	127	152.4	4	19.1
	300lb 600lb	210	28.6 31.8	127	168.3	4	22.4
DIN PN10/40	DN25	115	18	68	85	4	14
	DN40	150	18	88	110	4	18
	DN50	165	20	102	125	4	18
	DN80	200	24	138	160	8	18
DIN PN10/16	DN100	220	20	158	180	8	18
DIN PN25/40	DN100	235	24	162	190	8	22

注: 150# (工作压力为1.97Mpa), 300# (工作压力为5.1Mpa) 600# (工作压力为9.9Mpa)

● 法兰安装远传法兰

型号	安装法兰类型		
1199RFW型	法兰安装远传法兰		
代号	冲洗备用孔		
11	无		
21	有		
代号	远传装置膜片材料		
A	316LSST		
B	哈氏合金C		
C	钽		
代号	结构件材料		
11	上套为316SS, 法兰为碳钢(电镀)		
代号	下套尺寸和材料		
A21	1"	150lb	316SS
B21	1"	150lb	哈氏合金C
E21	1"	150lb	碳钢
A41	1-1/2"	150lb	316SS
B41	1-1/2"	150lb	哈氏合金C
E41	1-1/2"	150lb	碳钢
A51	1-1/2"	150lb	316SS
B51	2"	150lb	哈氏合金C
E51	2"	150lb	碳钢
A71	2"	150lb	316SS
B71	3"	150lb	哈氏合金C
E71	3"	150lb	碳钢
A22	3"	150lb	316SS
B22	1"	300lb	哈氏合金C
E22	1"	300lb	碳钢
A42	1"	300lb	316SS
B42	1-1/2"	300lb	哈氏合金C
E42	1-1/2"	300lb	碳钢
A52	1-1/2"	300lb	316SS
B52	2"	300lb	哈氏合金C
E52	2"	300lb	碳钢
A72	2"	300lb	316SS
B72	3"	300lb	哈氏合金C
E72	3"	300lb	碳钢
A24	3"	300lb	316SS
B24	1"	600lb	哈氏合金C
E24	1"	600lb	碳钢
A44	1"	600lb	316SS
B44	1-1/2"	600lb	哈氏合金C
E44	1-1/2"	600lb	碳钢
A54	1-1/2"	600lb	316SS
B54	2"	600lb	哈氏合金C
E54	2"	600lb	碳钢
A74	2"	600lb	316SS
B74	3"	600lb	哈氏合金C
E74	3"	600lb	碳钢
1199RFW 11 A 11 A71—典型型号			

RTW型螺纹安装远传法兰

型号	法兰过程连接型式
1199RTW型	螺纹安装远传法兰
代号	清洗连接孔
11	无
21	有
代号	远传装置膜片材料
A	316LSST
B	哈氏合金C—276
C	钽
代号	结构件材料
11	上套为316LSST, 安装环为碳钢
代号	下套材料
A	316LSST
B	哈氏合金C
C	碳钢(电镀)
代号	引压连接孔
11	1/4"NPT(锥管螺纹)
12	3/8"NPT(锥管螺纹)
13	1/2"NPT(锥管螺纹)
15	1"NPT(锥管螺纹)
17	1-1/2"NPT(锥管螺纹)(不带清洗备用孔)
1199RTW 11 A 11 A 17	—典型型号

RTW型扁平式远传法兰

型号	法兰过程连接型式
1199RTW型	扁平式远传法兰
代号	型式
11	标准3"-150和300 lb
代号	远传装置膜片材料
A	316LSST
B	哈氏合金C—276
C	钽
代号	结构件材料
11	上套为316LSST, 安装环为碳钢
代号	壳体材料
11	316LSST
1199RTW 11 A 11	—典型型号

EFW型插入筒式远传法兰

型号	法兰过程连接型式
1199RTW型	插入远传法兰
代号	插入筒直径和接液部材料
11	3#316SST 不锈钢
12	3#哈氏合金C 不锈钢
13	4#316SST 不锈钢
14	4#哈氏合金C 不锈钢
代号	远传装置膜片材料
A	316LSST
B	哈氏合金C
C	钽
代号	插入筒长度
20	50mm
40	100mm
60	150mm
代号	法兰规格和材料
A11	50#有镀层碳钢, 最大工作压力=1.97MPa
A12	300#有镀层碳钢, 最大工作压力=5.1MPa
C13	600#有镀层碳钢, 最大工作压力=9.9MPa
1199EFW 11 A 20 A11	—典型型号

注: 法兰规格、材料和工作压力, 如有特殊需求可另行定制;

毛细管型号规格表

型号	名称
199CAP型	毛细管
代号	毛细管材料和尺寸
11	316SST, 内径为c0.71mm
13	316SST, 内径为c1.09mm
代号	变送器端配件
D	1/2-20UNF-2A螺纹
代号	结构件材料
11	上套为316SST, 安装环为碳钢
代号	毛细管长度
05	1.5米
10	3.0米
15	4.5米
20	6.0米
25	7.5米
30	10米
代号	远传法兰端配件
A	1/2-20UNF-2A螺纹
C	1/2-20UNF-2A螺纹
代号	保护套管
11	铠装300SST系列不锈钢
12	PVC护套, 铠装300SST系列不锈钢
1199 CAP 11 D 15 A 11 一典型型号	

远传法兰灌充液

代号	远传法兰的灌充液
C10485-0007 01199-0032-0004 01199-0032-0012	DC-200硅油-稳定范围-40~+149℃ (比重0.934) Slyatherm 704硅油 稳定范围-15~+300℃ (比重0.934) 丙油 稳定范围-45~205℃ (比重1.85)
C10480007	——典型型号

注：不能用于测理真空+测真空时温度极限应降低

HN3051F卫生型压力变送器

优异的产品

绝压和表压测量范围: 0-5512kPa
 0.2%参考精度, 包括线性、迟滞性和重复性影响
 量程比20:1
 稳定性0.1%URL/年
 用于CIP, sIP应用场合. 温度上限248°F(140°C)
 采用HART通讯协议通讯
 基于微处理器的电子线路板
 双室结构外壳(水密性电性电子外壳)
 模块化设计, 令维修快速且经济
 抗射频干扰能力
 变送器逐台特性和数字化补偿, 可优化变送器在整个工作范围内的性能
 外部零点和量程调整

专业卫生型应用场合设计

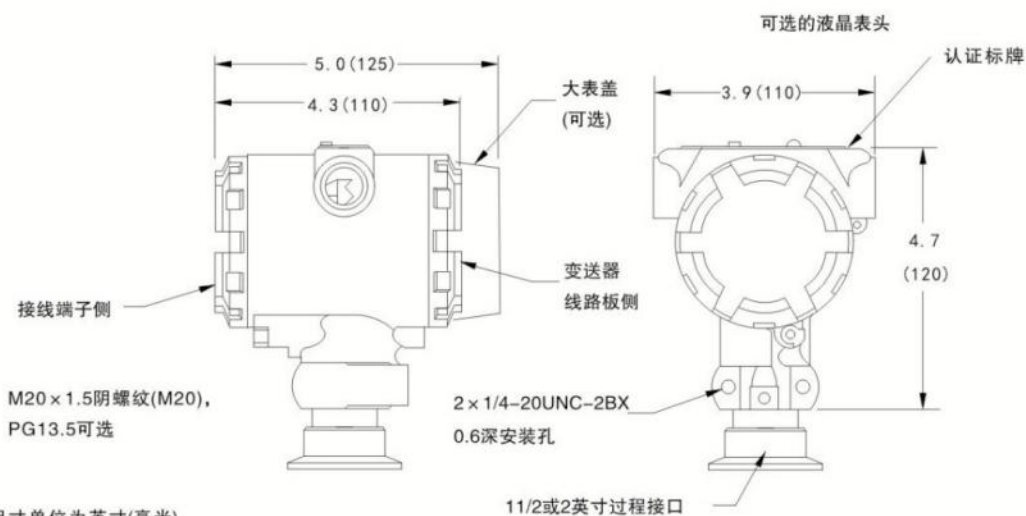
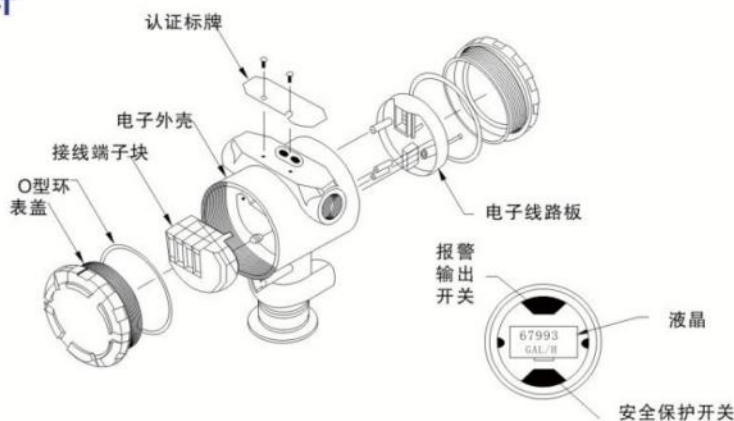
符合卫生标准
 安装接口方式: 2英寸

简介

3051F卫生型压力变送器符合卫生标准, 产品接触表面为CIP清洗而设计, 结构件材料符合卫生要求。

应用

3051F型小巧、稳定、可靠, 是食品和制药行业的理想产品, 可直接安装在过程管线或罐上, 无需支架。过程温度上限为140°C, 令3051F型变送器适用于有高温蒸汽清洗的场合。



注释: 尺寸单位为英寸(毫米)

规格

功能指标

应用场合

液体、气体、蒸汽和高粘度应用场合。

量程

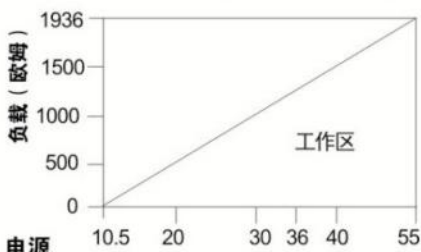
量程	量小量程 (智能)	UPL/最大量程/传感器上限
1	10.3kPa (103mbar)	200kPa (2.06mbar)
2	51.7kPa (517mbar)	1034kPa (10.34mbar)
3	276kPa (103mbar)	2068kPa (20.68mbar)

输出: 4—20mA dc / HART数字通讯

量程比: 20:1

负载限制

最大回路负载=43.5(电源电压-10.5)



要求外部电源供电, 无负载时变送器工作电压10.5—36V, 反向保护是标准的。

零点正、负迁移

零点可在大气压与量程上限之间(3051 FG型)或0kPa与量程上限之间(3051 FA型)进行迁移, 且校验量程大于或等于最小量程, 最程上限值不大于URL(量程上限)。3051FG型不可真空校验。

过压极限

量程1: 826.8kPa
其它: 2URL

温度极限

过程: -4至284° F(-20至140°C)
环境: -4至185° F(-20至85°C)
贮存: -22至185° F(-30至85°C)

过程温度高于185° F(85°C), 要求环境温度极限降低超出值的1/1.5。

$$\text{最大环境温度 (}^{\circ}\text{C)} = 85 - \frac{(\text{过程温度} - 85)}{1.5}$$

$$\text{最大环境温度 (}^{\circ}\text{F)} = 185 - \frac{(\text{过程温度} - 85)}{1.5}$$

湿度极限: 0~100%相对湿度

容积变化量: 小于0.00042cm³

启动时间: 2秒, 无需预热

故障报警

如自诊断出传感器或微处理故障, 变送器则驱动输出一个高或低的报警信号以提醒用户。高或低的报警方式由用户改变变送器的跳线插针术选择。报警输出值取决于变送器的工厂组态方式: 是标准操作还是符合NAMUR的操作。

标准操作

线性输出: $3.9 \leq 1 \leq 20.8$

故障高: $1 \geq 21.75\text{mA}$

故障低: $1 \leq 3.75\text{mA}$

符合NAMUR的操作

线性输出: $3.8 \leq 1 \leq 20.5$

故障高: $1 \geq 22.5\text{mA}$

故障低: $1 \leq 3.6\text{mA}$

变送器安全保护

启动变送器安全保护功能可防止对变送器组态的修改, 包括本机零点和量程调整功能。调整内部的安全保护开关可启动保护功能。

功能指标

(零基量程, 参考条件, 316SST隔离膜片)

参考精度

$\pm 0.2\%$ 校验量程, 包括线性、迟滞性和重复性影响

环境温度影响(每100° F (56°C)影响)

$\pm (0.3\% \text{URL} + 0.3\% \text{量程})$, -40至185° F(-40至85°C)

稳定性

$\pm 0.10\% \text{URL}$, 12个月

时间响应

时间常数小于200毫秒(阶跃压力变化输出达到63.2%的响应时间)

振动影响

小于 $\pm 0.10\% \text{URI}$, 振动测试条件: 峰—峰值4mm(5—15Hz)

加速度2g(15—150Hz), 及1g(150~2000Hz)

电源影响

小于 $\pm 0.01\%$ 校验量程/伏

安装位置影响

零点最多漂移0.3kPa, 可修正掉。无量程影响。

射频干扰 (RFI) 影响

$< \pm 0.25\% \text{URI}$, 在20~100MHz, 30伏/米场强下, 引线在导线管内; $< \pm 0.25\% \text{URL}$, 10伏/米场强下, 使用不带屏蔽的双绞线(无导线管)

机械性能指标

电气接口

1/2—14NPT, M20x1.5(CM20)或PGI3.5导线管入口

过程接液件

隔离膜片: 316L不锈钢

过程接头: 316L不锈钢

非接液件

电子外壳: 低铜铝, NEMA 4X, IP65, IP67。

喷涂: 聚氨酯

表盖O型环: 丁腈橡胶

重量: 约1.24公斤

3051F型订货信息表

型号	产品描述		
3051FA 3051FG	卫生型绝压变送器 卫生型绝压变送器		
代码	量程		
1	0-200kPa (0-2bar)	量程	量小量程 (智能)
2	0-1030kPa (0-10.3bar)	1	10.3kPa(103mbar)
3	0-5515kPa (0-55.15bar)	2	51.7kPa(517mbar)
		3	276kPa(2.76mbar)
			UPL/最大量程/传感器上限
			200kPa(2.06bar)
			1034kPa(10.34bar)
			2068kPa(20.68bar)
代码	输出		
S	4-20mA/HART数字通讯		
代码	结构件材料	隔离膜片	
2D	316SST	316SST	
代码	过程接口		
F	2英寸Tri-clamp接口		
代码	导线管入口螺纹		
2	M20X1.5 (CM20)		
代码	表头 (选项)		
M5	液晶表头		
代码	危险场所认证		
E5	本安IaIICT4/CT6		
K5	隔爆dIICT4 / CT6		
典型型号: 3051FG 2 S 2D F 1			

校验

变送器由工厂按用户指定量程校验。如果不指定校验范围，则按变送器所选量程的最大测量范围校验。校验在环境温度和常压下进行。

HN3051P高温防腐型压力变送器

概述

该型号是3051T型标准智能压力变送器的变形产品，在3051T的基础上加装密封隔离膜结构。过程连接方式为螺纹旋入式，平型法兰式、延伸凸型法兰式及焊接螺纹式。法兰式隔离膜片可用多种合金材料和塑料涂层合金制作。加装温度隔离器或毛细管，可耐300℃介质。极大扩展了应用范围、适用于高温、强腐蚀和粘度大介质的测量，除温度影响指标与3051T型有所不同外，其它性能基本一致。

测量范围

3051 P型

相对压力：

最大测量范围0 ~ 40MPa

最小测量范围0 ~ 4kPa

绝对压力：

最大测量范围0 ~ 4MPa

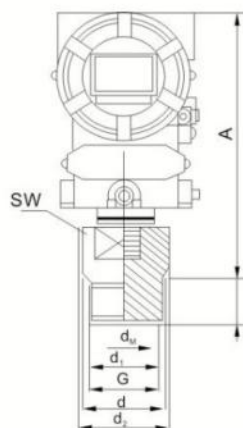
最小测量范围0 ~ 50kPa

负相对压力：

最大测量范围-0.1 MPa~39.9MPa

最小测量范围-50kPa ~ 0kPa

外型结构[一]



图中数据详见“过程”连接（一）栏

过程连接[一]

外螺纹旋入式焊接密封隔膜结构连接

螺纹标准G1A、G11/2A、G2A PN40MPa

【特殊要求可供NPT标准】

3051P高温防腐型连接件数据

选型代码	连接螺纹						密封隔离膜片				
	公称通径 G	公称压力 PN	直径 d_1 mm	直径 d mm	直径 d_2 mm	螺纹长度 X_1 mm	外侧平面 间距 SW mm	膜片直径 d_m mm	推荐最小 测量侧 mm	高度 A mm	总重量 kg
AF	G1/A	40Mpa	29	39	[SW41]	21	41	27	1	175	1.6
AG	G11/2A	40Mpa	42	54.5	58	30	41	38	0.04	177	2.3
AR	G2A	40Mpa	56	68	78	30	60	44	0.01	182	3.3

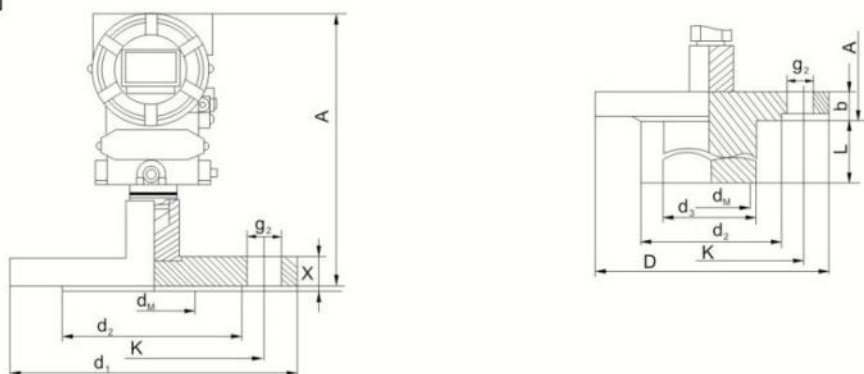
隔膜材料[一]

过程连接件螺纹部分不锈钢1Cr18Ni9Ti
 [特殊要求可供不锈钢316L, 哈氏合金C276]
 波纹膜片不锈钢316L
 哈氏合金C276

温度影响[一]

隔离膜片G1A +1200Pa/10K
 隔离膜片G11/2A +600Pa/10K
 隔离膜片G2A +300Pa/10K

外型结构[二]



过程连接[2]

平法兰或延伸平法兰式焊接密封隔膜结构连接。
 法兰标准 GB9123-88

3051P高温防腐型DN50、DN80、PN1/4MPa
 DN25、DN50、PN6/40MPa
 [结构见上图数据见下表]
 [特殊要求可供DIN、ANSI标准]

3051P高温防腐型连接件数据

3051P型连接件数据

选型代码		DK	AK	BK	CK	SU	NU	NU	PU	FC	FD	FM	FN
法 兰	公称直径 DN	50	50	50	50	80	80	80	80	25	25	25	25
	公称压力 PN Mpa									5/10	15/10	5/15	15/25
	压径[D] d mm	165	165	165	165	200	200	200	200	125	150	165	215
	厚度[X] b mm	20	20	20	20	24	24	24	24	17.5	20*	20*	20*
	延伸膜长度 l mm	-	50	100	200	-	50	100	200	-	-	-	-
	延伸膜直度 d ₃ mm	-	48.3	48.3	48.3	-	76.5	76.5	76.5	-	-	-	-
	凸台直径 l mm	99	99	99	99	132	132	132	132	50.8	50.8	92.1	92.1
螺 孔	孔数	4	4	4	4	4	4	4	4	4	4	8	8
	孔数 g mm ₂	18	18	18	18	18	18	18	18	20	26	20	26
	孔中心距 k mm	125	125	125	125	160	160	160	160	89	101.5	127	165
密封隔离 膜片	膜片直径 d _v mm	46	46	46	46	70	70	70	70	28	28	46	46
	高度 A mm	200	204	204	204	204	204	204	204	204	204	204	204
	总重量 kg	3.72	4.48	8.11	3.72	6.23	6.23	4.48	4.48	2.90	5.45	11.4	16.90

外型结构[一]

过程连接件:

平法兰, 延伸平法兰部分, 不锈钢
1Cr18Ni9Ti[特殊要求可供不锈钢316L]

温度影响1[一]

3051P型:

DN25 2kPa/10K; DN50 300Pa/10K

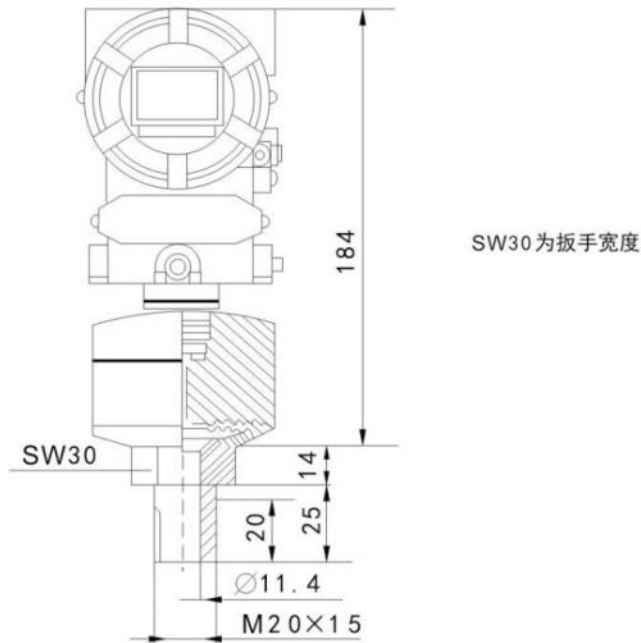
DN50[包括延伸50mm、100mm、200mm]300Pa/10K

DN80[包括延伸50mm、100mm、200mm]200Pa/10K

外形结构[三]

隔离波纹膜片部分:

不锈钢316L哈氏合金C276、钽及不锈钢316带
PTFE涂层。



过程连接[三]

焊接式外螺纹焊接密封隔膜结构连接
螺纹标准外螺纹G1 / 2A内孔 ϕ 11.4mm
PN4MPa[特殊要求可供NPT标准]

隔膜材料[三]

过程连接件焊接螺纹部分: 不锈钢
1Cr18Ni9Ti[特殊要求可供不锈钢316L、哈氏合金c-276]
隔离波纹膜片部分: 不锈钢316L、哈氏合金C 276、钽、
不锈钢316L带PTFE涂层。

温度影响[三]

200Pa/10K

HN3051P高温防腐型压力变送器

选型表

型号	变送器类型	
R	标准型	
G	本安型IICT4/T6	
I	隔爆型dIICT4/T6	
代号	外壳、显示	
3	铝外壳、电缆孔M20X1.5M20X1.5带数字显示器	
4	铝外壳，电缆孔M20X1.5	
9	约定的特殊要求	
代号	传感器标准量程[量程比10: 1]	最大过压
1F	——表压传感器——	
1K	传感器40kPa	1MPa
1P	传感器200kPa	2MPa
1S	传感器1MPa	4MPa
1G	传感器4MPa	6MPa
1L	传感器7MPa	10MPa
1I	传感器10MPa	15MPa
1X	传感器20MPa	30MPa
1H	传感器40MPa	60MPa
2F	——表压传感器——	
2K	传感器40kPa	1MPa
2L	传感器200kPa	2MPa
2P	传感器1MPa	4MPa
2S	传感器4MPa	6MPa
代号	标定、压力单位	
2	0~标准量程，标定kPa/MPa	
9	约定的特殊要求	
代号	电子部件、通讯协议	
H	输出4~20mA，HART协议	
S	输出4~20mA，	
Y	约定的特殊要求	
代号	隔膜中介液	
A	硅油	
G	高温油+温度隔离器100mm	
K	高温油，1m毛细管	
L	硅油，1m毛细管	
Y	约定的特殊要求	
代号	过程连接标准	
AF	外螺纹G1A，推荐最小测量值200kPa	
AG	外螺纹G11 / 2A，推荐最小测量值40kPa	
AR	外螺纹G2A，推荐最小测量值10kPa	
CA	焊接螺纹外螺纹G1 / 2A内孔φ 11.4mm	
DK	平法兰GB9123-88 DN50，PNIMPa / 4MPa	
SU	平法兰GB9123-88 DN80，PNIMPa/4MPa	
AK	平法兰GB9123-88 DNS0，PNIMPa/4MPa,延伸50mm	
BK	平法兰GB9123-88 DN50，PNIMPa/4MPa，延伸100mm	
OK	平法兰GB9123-88 DN50，PNIMPa / 4MPa，延伸200mm	
MU	平法兰GB9123-88 DN50，PNIMPa / 4MPa，延伸50mm	
NU	平法兰GB9123-88 DNS0，PNIMPa / 4MPa，延伸100mm	
PU	平法兰GB9123-88 DNS0，PNIMPa / 4MPa，延伸200mm	
YY	约定的特殊要求	
代号	波纹膜片材料	
1	不锈钢316L	
2	哈氏合金C276	
5	钽	
7	不锈钢316L带PTFE涂层	
9	约定的特殊要求	
3051P-R3 1F 2 H A DK 1		

HN系列变送器

HN系列变送器用于工业过程全系列差压、压力、绝对压力的测量，具有模拟或数字输出信号。广泛直接用于石油、化工、电力、食品、造纸、市政工程等行业。

HN系列产品：

110A型差压变送器
120A微差压变送器
130A高静压变送器
210A、220A法兰安装式差压变送器
310A绝对压力变送器
430A压力变送器
510A&530A绝对压力/压力变送器
118W、N、Y隔膜密封式差压变送器
438W、438N隔膜密封式压力变送器

主要技术指标：

量程比：100：1
精度高： $\pm 0.075\%$
智能：HART现场总线协议
低温漂：数字温度传感器自动补偿
规格全： $-100\text{Pa}-0-100\text{Pa}-100\text{Mpa}$
耐压性能好：常规14MPa
 高静压32MPa
耐腐蚀：提供316L、哈氏合金、钽等
防爆：本安型(ia II CT4/T6)
 隔爆型(d II CT4/T6)

概述

系列电容式变送器是我厂引进国外先进技术和设备，关键原材料、元器件和零部件均采用进口，整机经过严格组装和测试，具有设计原理先进品种规格齐全、安装使用简便。外形美观等特点。该产品分智能和普通型两种类型，满足用户的多种选择要求，具有很强的使用价值，目前该系产品已广泛应用于石油、化工、冶金、电力、食品、造纸、医药、机械制造等行业。

特点

- 1、精度高；
- 2、稳定性好；
- 3、二线制；
- 4、固体元件，接插式印刷电路板；
- 5、小型、重量轻、坚固抗振；

- 6、量程、零点外部连续可调；
- 7、阻尼可调；
- 8、单向过载保护特性好；
- 9、无机械可动部件，维修工作量少；
- 10、全系列统一结构，零部件互换性强；
- 11、接触介质的膜片材料可选择；(316L、TAN、HAST-CMONEL等耐腐蚀材料)
- 12、防爆结构，全天候使用。

智能变送器除了一般电容式变送器固有特点外还具有如下特点：

- 1、智能电子部件仅由一块板组成
- 2、量程比100：1
- 3、 $-100\text{Pa}-0-100\text{Pa}-100\text{MPa}$
- 4、就地按键调整量程和零点
- 5、可更新现存的各种模拟式变送器为智能式仪表
- 6、符合FHART协议，可用HART通讯器388、275、475与本智能表进行双向能讯而不中断输出信号
- 7、在采用FHART协议的分散控制系统中同主机进行双向通讯
- 8、具有自诊断和远程诊断功能
- 9、带有EEPROM非易失性存储器不怕断电丢失数据

工作原理

过程压力通过两侧或一侧的隔离膜片、灌注液传至6室的中心测量膜片。中心膜片是一个张紧的弹性元件，它对于作用在其上的两侧压力差产生相应变形位移，其位移与差压成正比，最大位移约0.1mm，这种位移转变为差动信号，由电子线路差动信号转换成二线制的4-20mA DC输出信号。

功能参数

使用对象：液体、气体和蒸汽
输出信号：4-20mA DC
供电电源：12~45V DC，一般为24V DC(见负载特性)
负载特性：与供电电源有关，在某一电源电压时带负载能力，负载阻抗 R_1 与电源电压 V_S 关系式为 $R_1 \leq 50(V_S - 12)$
指示表：指针式线性指示0~100%刻度和平方根指示0~10刻度，以及LCD液晶式显示(0~100%线性)
防爆：a.隔爆型d II CT4/T6
 b.本质安全型ia II CT4/T6
量程和零点：外部连续可调，智能型通过就地按钮或通过HART通讯器进行调整。

温度范围：放大器工作温度范围：-38~+93℃，灌充硅油的测量元件：-40~+120℃。法兰式变送器灌充高温硅油时：+1~+300℃普通硅油：-40~+180℃

静压和过载压力：4、10、25、32MPa

湿度：相对湿度0~100%

容积吸取量：<0.16cm³。

阻尼(阶跃响应)：充硅油时，一般在0.2s到1.67之间连续可调
启动时间：2s，不需预热

技术数据

(不带迁移，在标准工作条件下，充硅油，6不锈钢隔离膜片)

精确度：±0.075%

死区：无(≤0.1%)

稳定性：12个月内不超过最大量程的基本误差绝对值

故障报警：(智能型具有)自诊断程序检测出故障，模拟输出高于22mA或低于38mA报警，报警高低可通过电子部件上开关进行选择。

变送器状态写保护：(智能型具有)拨动电子部件上开关可以防止变送器组的改变。

振动影响：在任意轴向上，振动频率为200Hz时，误差为测量范围上限的±0.05%/g

电源影响：小于输出量程的0.005%/V。

负载影响：电源如果稳定，则负载没有影响。

安装位置影响：最大可产生0.24kPa的零点误差，但可校正，对量程没有影响。

其它

结构材料：

隔离膜片：316L不锈钢，哈氏合金C，蒙乃尔合金或钽排气/排液稠：316不锈钢，哈氏合金C，蒙乃尔合金

法兰和接头：碳钢镀镍，316不锈钢，哈氏合金C或蒙乃尔合金

接触介质“O”形环：丁睛橡胶，氟橡胶

灌充液：硅油或惰性油

螺栓：碳钢镀镍

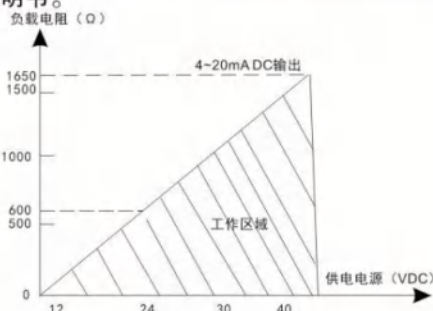
电子壳体材料：低铜铝合金

引压连接件：法兰NPT1/4，中心距54mm；接头NPT1/2或M20×1.5螺纹球锥面密封。带接头时中心距50.8、54、57.2mm(NPT锥管螺纹符合GB/T12716-91)

电气接口：M20×1.5 NPT1/2

重量：约5.4kg(不带附件)

标准附件：所有型号出厂时都带有法兰接头，排气、排液阀及一份说明书。



智能电子部件

采用先进的集成电路及表面贴装(SMT)技术，变送器的电子部件由一块电路板组成。

变送器的微处理控制A/D和D/A转换的工作，也能完成自诊断及实现数字通讯。

工作时一个数字压力值被微处理器所处理，并作为数字储存，以确保精密的修正和工程单位的转换。此外，微处理器也能完成传感器的特征化、量程化、阻尼时间以及其它的功能，EEPROM存储所有的组态，特征化及数字微调的参数，存储器为非易失性的，因此即使断电，所存储的数据仍能完好保持，以随时实现智能的通讯。

软件

通过手操器对智能型变送器进行测试和组态。或者通过任意的支持HART通讯协议上位系统主机完成通讯。HART协议使用工业标准的Bell202 移频键控(FST)技术，以1200H或2200H的数字信号叠加在4~20mA的信号上实现通讯。通讯时频率信号对4~20mA的过程信号不产生任何干扰。

自诊断

智能型变送器可完成连续地自诊断。如果变送器被检测出故障，则变送器的输出由用户可选择22mA或38mA的其中一个值。并且任何的HART的上位机设备均能显示该变送器自诊断的特殊信息代码。

格式化

格式化功能是在变送器的初始化设定和数字电子部件进行维护时使用的。需标准的格式化菜单提供了两个功能：特征化和数字微调。

特征化：尽管智能型变送器在出厂时就被特征化处理好的，但用户仍可以使用这一功能，将现有的模拟变送器作一些简单的更新，使它转换成智能型。特征化功能：调节智能型变送器的电子部件，让它正确地反映传感器组件的输出。

数字微调：本功能允许对变送器的特征调节进行数字标定，以达到制造厂标定的压力标准值。数字微调包括两种独立的操作。

传感器微调：可以调节数字过程变量的读数，使之精确反映压力输入：4~20mA微调：是处理电子部件输出量的调整。

组态

标准组态：除非特别指定，否则将按下列组态供货：工程单位kPa；4mA 0kPa；20mA量程上限值；输出线性。

软件标签空白[软件标签(8个字符)，除非指明，否则是空白。

HN110A型差压变送器



概要

HN110A差压变送器用于测量液体、气体或蒸汽液位密度和压力、然后将其转变威4~20mADC的电流信号输出，HN110A也可与HART[®]手操器互通讯、通过它们进行设定、监控等。

功能规格

输出

2线制，4~20mA DC输出，数字通讯，可编程设定线性或平方根输出方式，HART协议加载在4~20mADC信号上。

电源电压

- 10.5~42V DC(工作状态)
- (0.5~30V DC本安型)
- 16.4~42V DC(数字通讯和HART协议)
- (16.4~30V DC本安型)

负载 (输出信号代码为D和E时)

- 0 ~ 1335 Ω 工作状态
- 250 ~ 600 Ω 数字通讯

HART

通讯距离

用多芯双绞线，通讯距最大可达1.5km，通讯距离因电缆类型而异。

用下述公式确定电缆长度

$$L = \frac{65 \times 10^6}{(RXG)} \cdot \frac{(C_c + 10,000)}{C}$$

L=长度(m和ft)

R=阻抗(Ω，包括电源阻抗)

c=电缆电容(pF / m或pF/ft)

c_i=最大并联电容(pF / m或pF/ft)

环境温度

- 40~85 °C (-40 ~ 185° F)
- 30~80 °C (-22 ~ 176° F) [带LCD表头]

接液温度

- 40 ~ 120 °C (-40~248° F)

性能规格

调量程的参考精度

- (包括从零点开始的线性、滞后性和重复性)
- ± 0.015%~ ± 0.5%

静压影响

L膜盒

- ± [0.07% 量程+0.052% 量程上限]/3.4MPa{500psi}

M、H和V膜盒

- ± [0.1% 量程+0.028% 量程上限]/6.9MPa{1000psi}

过压影响(M、H和V膜盒)

- ± 0.03% 量程上限 / 6.9MPa{2000psi}

稳定性 (M、H和V膜盒)

- ± 0.1% 量程上限/12个月

型号和规格代码表

型号	规格代码	说明
HN110A	差压变送器
输出信号	-D	4-20mA
	-E	4-20mA, HART协议数字通讯
测量量程 (膜盒)	L	0.12-7.5kPa(12-750mmHg)
	M	0.40-40kPa(40-4000mmHg)
	H	2-200kPa(0.02-2kgf/cm ²)
	A	7-700kPa(0.07-7kgf/cm ²)
	B	0.021-2.1MPa(0.21-21kgf/cm ²)
	V	0.07-7MPa(0.7-70kg/cm ²)
	W	0.21-21MPa(2.1-210kgf/cm ²)
接液部分材质	S	[本体](注2) [膜盒] [排气螺钉] SCS4A SUS316L SUS316
	H	SCS4A 哈氏合金C-276(注3) SUS316
	M	SCS4A 蒙乃尔(注3) SUS316
	T	SCS4A 钽(注3) SUS316
	A	哈氏合金C-276 哈氏合金C-276(注3) 哈氏合金C-276
	D	哈氏合金C-276 钽(注3) 哈氏合金C-276
管道连接	2	带M20 X 1.5 DIN 16 288外螺纹的过程接头
	3	带1 / 4NPT内螺纹的过程接头
	4	带1 / 2NPT内螺纹的过程接头
	5	无过程接头(容室法兰上1/4NPT内螺纹)
螺栓、螺母材质		【最大工作压力】
	A	L膜盒(注6) L、M、H、V膜盒
	B	SCM435 3.5MPa 16MPa(160kgf/cm ²)
	C	SUS630 3.5MPa 16MPa(160kgf/cm ²) SUH660 3.5MPa 16MPa(160kgf/cm ²)
安装方式	-2	垂直安装, 右面高压, 过程接头在上(注4)
	-3	垂直安装, 右面高压, 急程接头在下(注4)
	-6	垂直安装, 左面高压, 过程接头在上(注4)
	-7	垂直安装, 左面高压, 过程接头在下(注4)
	-8	水平安装, 右面高压(注5)
	-9	水平安装, 左面高压(注5)
接线口	2	M20 x 1.5内螺纹, 2处接线口
	5	M20 x 1.5内螺纹, 两个电气接口, 一个盲塞
显示表头	D	线性表头
	E	带设定按钮的数字表头
	N	(无表头)
2-inch管安装支架	A	SECC 平托架
	B	SUS304 平托架
	C	SECC L型托架
	D	SUS304 L型托架
	N	无安装支架
危险场所认证	B	本安型 (ia II CT4/T6)
	F	隔爆型 (d II CT4/T6)

例: HN110-EMS5A-92EN

注1: 接液部分材质代码为H、M、T、A、D的测量范围为0~21MPa。

注2: 容室法兰和过程接头材质。

注3: 指膜片和其它接液部材质。

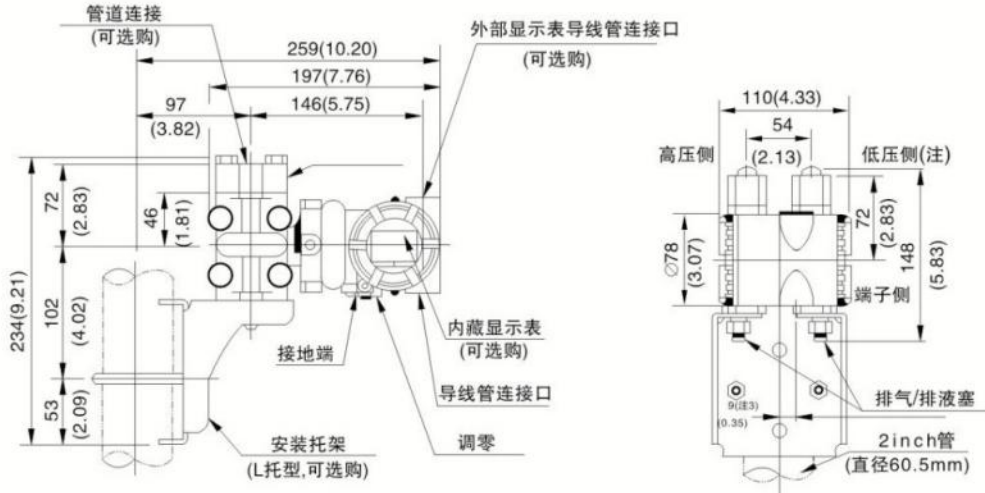
注4: 必要时, 选代码为C和D的安装支架。

注5: 必要时, 选代码为A和B的安装支架。

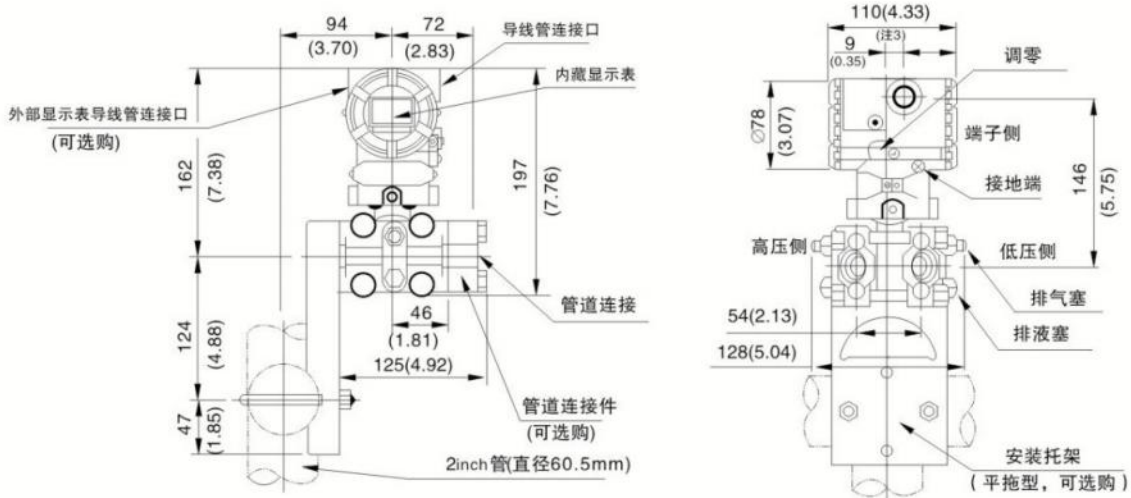
注6: 适用于接液材质代码为H、M、T、A和D时。

外型尺寸

垂直配管安装方式 单位mm (inch)



水平配管安装方式 单位mm (inch)



端子侧接线图



接线端子

SUPPLY	供电电源和输出端
CHECK	外接指示计(安培表)接线端
⊖	接地端

注: 用外部指示计或检测计时的阻抗应 ≤ 10Ω

HN120A微差压变送器



概要

HN120A微差压变送器用于测量微小差压，然后转变成4~20mADC的电流信号输出。

HN120A也可与HART[®]手操器互通讯、通过它们进行设定、监控等。

功能规格

输出

2线制，4~20mA DC输出，数字通讯，可编程设定线性或平方根输出方式，HART协议加载在4~20mADC信号上。

电源电压

10.5~42V DC(工作状态)

(0.5~30V DC本安型)

16.4~42V DC(数字通讯和HART协议)

(16.4~30V DC本安型)

负载 (输出信号代码为D和E时)

0~1335 Ω 工作状态

250~600 Ω 数字通讯

HART

通讯距离

用多芯双绞线，通讯距最大可达1.5km，通讯距离因电缆类型而异。

用下述公式确定电缆长度

$$L = \frac{65 \times 10^6}{(RXC)} \cdot \frac{(C_i + 10,000)}{C}$$

L=长度(m和ft)

R=阻抗(Ω，包括电源阻抗)

c=电缆电容(pF / m或pF/ft)

c_i=最大并联电容(pF / m或pF/ft)

阻尼时间常数

放大器部件和膜盒的阻尼时间常数之和。放大器部件阻尼时间常数在0.2~64秒范围可调。

工作压力

-50 ~ 50kPa(-7.25~7.25psi)

环境温度

-25~80°C (13 ~ 176° F)

接液温度

-25~80°C (-13 ~ 176° F)

性能规格

调量程的参考精度

(包括从零点开始的线性、滞后性和重复性) ± 0.2%

型号和规格代码表

型号	规格代码	说明
HN120A		微差压变送器
输出信号	-D	4-20mA
	-E	4-20mA, HART协议数字通讯
测量量程 (膜盒)	E	0.1-1.5kPa(10-150mmHg)
接液部分材质	S	[本体] [膜盒] [排气螺钉] SCSI4A(注1) SUS316L SUS316
	H	SCSI4A 哈氏合金C-276 SUS316
管道连接	2	带M20 X 1.5 DIN 16 288外螺纹的过程接头
	3	带1 / 4NPT内螺纹的过程接头
	4	带1 / 2NPT内螺纹的过程接头
	5	无过程接头(容室法兰上1/4NPT内螺纹)
螺栓、螺母材质	A	【最大工作压力】 SCM435 50kPa(0.5kgf/cm ²)
	B	SUS630 50kPa(0.5kgf/cm ²)
	C	SUH660 50kPa(0.5kgf/cm ²)
安装方式	2	垂直安装, 右面高压, 过程接头在上(注2)
	3	垂直安装, 右面高压, 急程接头在下(注2)
	6	垂直安装, 左面高压, 过程接头在上(注2)
	7	垂直安装, 左面高压, 过程接头在下(注2)
	8	水平安装, 右面高压(注3)
	9	水平安装, 左面高压(注3)
接线口	2	M20 x 1.5内螺纹, 2处接线口
	5	M20 x 1.5内螺纹, 两个电气接口, 一个盲塞
显示表头	D	线性表头
	E	带设定按钮的数字表头
	N	(无表头)
2-inch管安装支架	A	SECC 平托架
	B	SUS304 平托架
	C	SECC L型托架
	D	SUS304 L型托架
	N	无安装支架
危险场所认证	B	本安型 (ia II CT4/T6)
	F	隔爆型 (d II CT4/T6)

例: HN120A-EES5A-92EN

注1: 指容室法兰和过程接头的材质。

注2: 必要时, 选代码为C和D的安装支架。

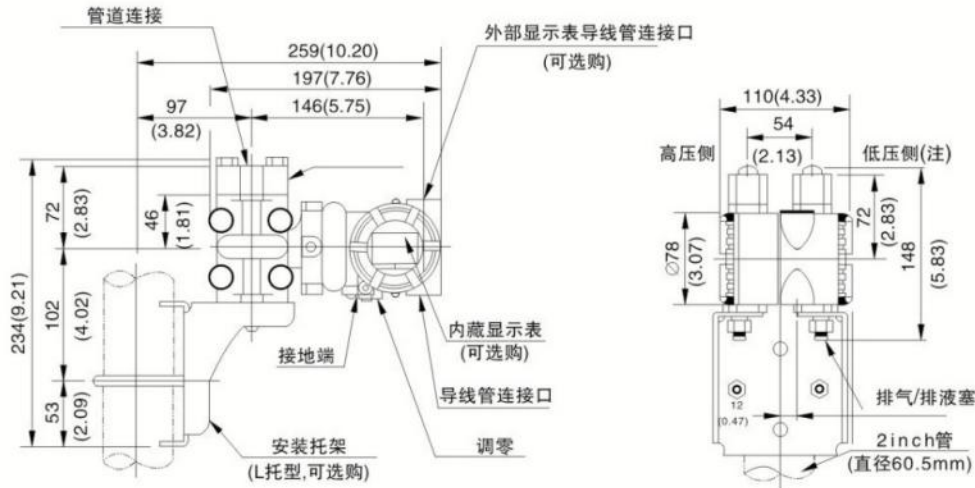
注3: 必要时, 选代码为A和B的安装支架。

外型尺寸

HN120A

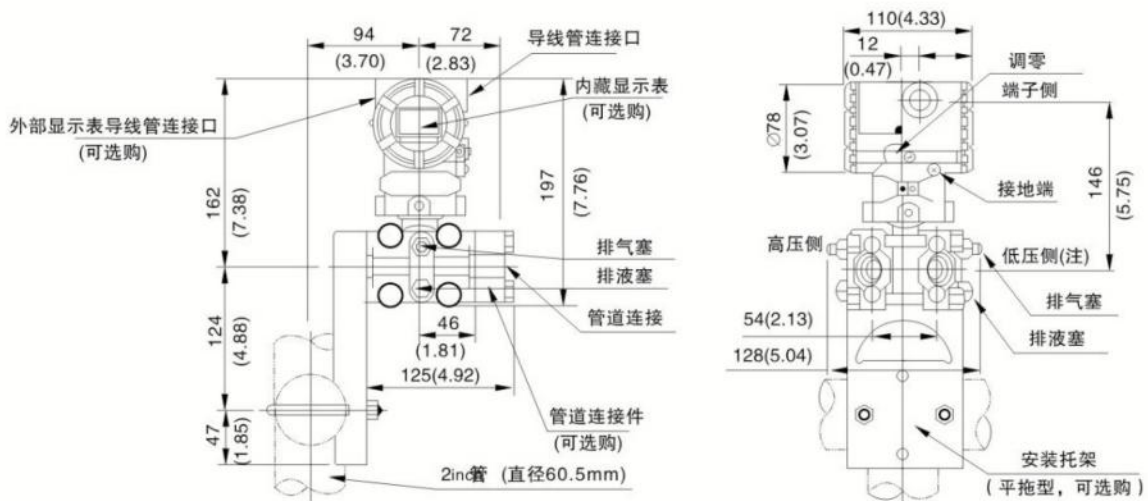
垂直配管安装方式 单位mm (inch)

管道连接件在 (安装代码为6) (对于代码2, 3或7, 参见后面注释)



水平配管安装方式 单位mm (inch)

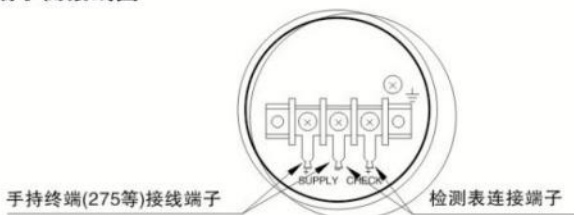
(安装代码为9) (对于代码8, 参见后面注释)



注1: 当选安装为2, 3或8时, 高、低压侧与上图相反

注2: 当选安装为3或7时, 过程安装支架与上图相反

端子侧接线图



接线端子

SUPPLY*	供电电源和输出端
CHECK*	外接指示计(安培表)接线端
⊕	接地端

注: 用外部指示计或检测计时的阻抗应 $\leq 10\Omega$

HN130A高静压差压变送器



概要

130A高静压变送器用于测量液体、气体或蒸汽液位、密度和压力、然后转变成4~20mADC的电流信号输出，130A也可与HART®手操器互通讯、通过它们进行设定、监控等。

功能规格

输出

2线制，4~20mADC输出，数字通讯，可编程设定线性或平方根输出方式，HART协议加载在4~20mADC信号上。

电源电压

- 10.5~42V DC(工作状态)
- (10.5~30V DC本安型)
- (16.4~42V DC(数字通讯))
- (16.4~30V DC本安型)

负载(输出信号代码为D和E时)

- 0~1335 Ω 工作状态
- 250~600 Ω 数字通讯

HART

通讯距离

用多芯双绞线时可通讯距最大可达1.5KM，通讯距离因电缆类型而异。

用下述公式确定电缆长度

$$L = \frac{65 \times 10^6}{(RXC)} \cdot \frac{(C_i + 10,000)}{C}$$

L=长度(m和ft)

R=阻抗(Ω, 包括电源阻抗)

C=电缆电容(pF/m或pF/ft)

C_i=最大并联电容(pF/m或pF/ft)

环境温度

- 40~85 °C (-40~185 ° F)
- 30~80 °C (-22~176 ° F) [带LCD表头]

接液温度

- 40~120 °C (-40~248 ° F)

性能规格

调量程的参考精度

- (包括从零点开始的线性、滞后性和重复性)
- ±0.075%

过压影响

- ±0.03%量程上限 / 32MPa{4500psi}

稳定性

- ±0.1%量程上限/12个月

型号和规格代码表

型号	规格代码	说明
HN130A		高静压差压变送器
输出信号	-D -E	4~20mA 4~20mA, HART协议数字通讯
测量量程 (膜盒)	L M H A B V	0.12~7.5kPa{12~750mmH ₂ O} 0.40~40kPa{40~4000mmH ₂ O} 2~200kPa{0.02~2kgf/cm ² } 7~700kPa{0.07~7kgf/cm ² } 0.021~2.1MPa{0.21~21kgf/cm ² } 0.07~7MPa{0.7~70kg/cm ² }
接液部分材质	S H	[本体] [膜盒] [排气螺钉] SCS14A(注1) SUS316L SUS316 SCS14A 哈氏合金C-276 SUS316
管道连接	2 3 4 5	带M20 X 1.5 DIN 16 288外螺纹的过程接头 带1/4NPT内螺纹的过程接头(注5) 带1/2NPT内螺纹的过程接头(注5) 无过程接头(容室法兰上1/4NPT内螺纹)
螺栓、螺母材质	A B C	【最大工作压力】 SCM435 32MPa{320kgf/cm ² } (42MPa{420kgf/cm ² })(注4) SUS630 32MPa{320kgf/cm ² } (42MPa{420kgf/cm ² })(注4) SUH660 32MPa{320kgf/cm ² } (42MPa{420kgf/cm ² })(注4)
安装方式	-2 -3 -6 -7 -8 -9	垂直安装, 右面高压, 过程接头在上(注2) 垂直安装, 右面高压, 急程接头在下(注2) 垂直安装, 左面高压, 过程接头在上(注2) 垂直安装, 左面高压, 过程接头在下(注2) 水平安装, 右面高压(注3) 水平安装, 左面高压(注3)
接线口	0 2	M20 × 1.5内螺纹, 2处接线口 M20 × 1.5内螺纹, 两个电气接口, 一个盲塞
显示表头	D E N	线性表头 带设定按钮的数字表头 (无表头)
2-inch 管安装支架	A B C D N	SECC 平托架 SUS304 平托架 SECC L型托架 SUS304 L型托架 无安装支架
危险场所认证	B F	本安型 (ia II CT4/T6) 隔爆型 (d II CT4/T6)

例: HN130-EMS5A-92NN

注1: 指容室法兰材料。过程连接件材质是SCS14A(等价于SUS316)。

注2: 如果需要, 可指定安装托架“C”或“D”。

注3: 如果需要, 可指定安装托架“A”或“B”。

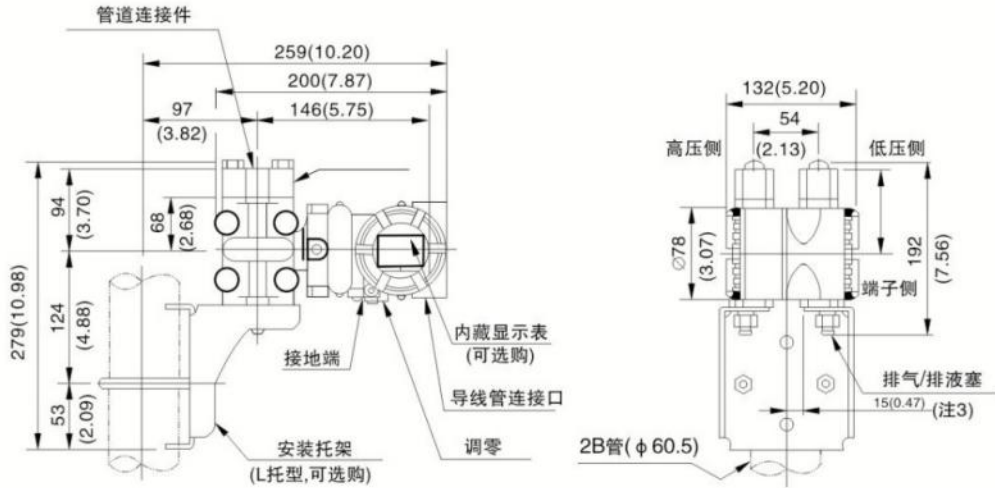
注4: 客户需要42MPa的工作压力时, 请在订货时注明。

注5: 环境温度和接液温度下限-15℃。

外型尺寸

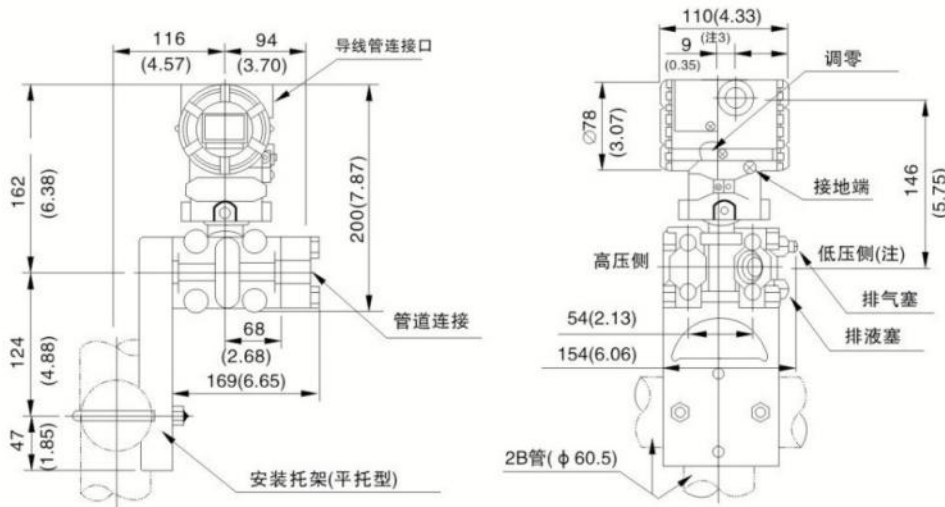
HN130A垂直配管安装方式 单位mm (inch)

管道连接件在 (安装代码为6) (对于代码2, 3或7, 参见后面注释)



HN130A水平配管安装方式 单位mm (inch)

(安装代码为9) (对于代码8, 参见后面注释)



注1: 当选安装为2, 3或8时, 高、低压侧与上图相反

注2: 当选安装为3或7时, 过程安装支架与上图相反

注3: 对于代码2、3或8, 尺寸为15mm (左侧高压)

端子侧接线图



接线端子

SUPPLY	供电电源和输出端
CHECK	外接指示计 (安培表) 接线端
≡	接地端

注: 用外部指示计或检测计时的阻抗应 $\leq 10\Omega$

HN210A、220A法兰安装式差压变送器



概要

210A和220A法兰安装式差压变送器用于测量液体、气体和蒸汽压力、并将其转变成4~20mADC的电流信号输出，210A和220A也可HART[®]手操器互通讯，通过它们进行设定、监控等。

功能规格

输出

2线制，4~20mADC输出，数字通讯，可编程设定线性或平方根输出方式，HART协议加载在4~20mADC信号上。

电源电压

10.5~42V DC(工作状态)
16.4~42V DC(数字通讯)
(16.4~30V Dc本安型)

负载 (输出信号代码为D和E时)

0~1335 Ω 工作状态
250~600 Ω 数字通讯

HART

通讯距离

用多芯双绞线时可通讯距最大可达1.5km，通讯距离因电缆类型而异。

用下述公式确定电缆长度

$$L = \frac{65 \times 10^6}{(RXC)} \cdot \frac{(C_1 + 10,000)}{C}$$

L=长度(m和ft)

R=阻抗(Ω，包括电源阻抗)

C=电缆电容(pF / m或pF/ft)

C₁=最大并联电容(pF / m或pF/ft)

阻尼时间常数

放大器部件和膜盘的阻尼时间常数之和。放大器部件阻尼时间常数在0.2~64秒范围可调。

环境温度

-40~85℃ (-40~248° F)
-30~80℃ (-22~176° F)[带LCD表头]

接液温度

-40~120℃ (-40~248° F)

性能规格

调量程的参考精度

(包括从零点开始的线性、滞后性和重复性) ±0.1%

稳定性

±0.1%量程上限/12个月

型号和规格代码表

HN210A[法兰尺寸: 3inch(80mmDN80)]

型号	规格代码	说明
HN210A		法兰安装式差压变送器(平膜片型)
输出信号	-D	4~20mA
	-E	4~20mA, HART协议数字通讯
测量量程 (膜盒)	M	4~40kPa(400~4000mmH ₂ O)
	H	20~200kPa(0.2~2kgf/cm ²)
	A	70~700kPa(0.7~7kgf/cm ²)
	B	0.21~2.1MPa(2.1~21kgf/cm ²)
高压侧 (法兰侧) 接液部分材质 (注1)	S	[膜片] SUS316S
	H	哈氏合金C-276
	T	钽
法兰规格	J1	JIS 10K
	J2	JIS 20K
	A1	ANSI 150
	A2	ANSI 300
	P1	JPI 150
	P2	JPI 300
	D1	DIN PN10/16
	D4	DIN PN25/40
	G2	GB PN10/16 (GB/T9115.1-2000)
	G4	GB PN25/40 (GB/T9115.1-2000)
法兰尺寸/材质	D	3-inch(80mm, DN80)/S25C
	E	3-inch(80mm, DN80)/SUS304
	F	3-inch(80mm, DN80)/SUS316
侧压侧管道连接	2	带M20 X 1.5 DIN 16 288外螺纹的过程接头
	3	带1 / 4NPT内螺纹的过程接头
	4	带1 / 2NPT内螺纹的过程接头
	5	无管道过程连接件(1/4NPT内螺纹在容室法兰上)
法兰螺栓材料	A	SUM435
	B	SUS630
	C	SUH660
安装	-9	水平配管连接, 左边高压
接线口	2	M20 x 1.5内螺纹, 2处接线口
	5	M20 x 1.5内螺纹, 两个电气接口, 一个盲塞
显示表头	D	线性表头
	E	带设定按钮的数字表头
	N	(无表头)
-	N	通常为N
危险场所认证	B	本安型 (ia II CT4/T6)
	F	隔爆型 (d II CT4/T6)

例: HN210A-EMSA1A5A-92NN

注: 低压侧接液总部分材质: 容室法兰: SCS14A, 管道接件: SCS14A 膜盒: SUS316L, 排气螺钉: SUS316L

HN210A法兰尺寸: 2-inch(50mmDN50)

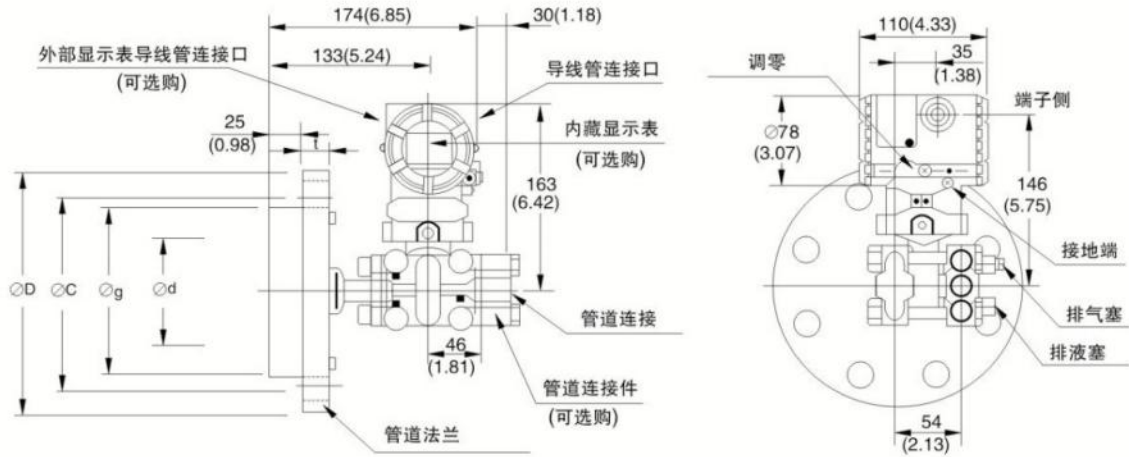
型号	规格代码	说明
HN210A		法兰安装式差压变送器(平膜片型)
输出信号	-D	4~20mA
	-E	4~20mA, HART协议数字通讯
测量量程 (膜盒)	M	4~40kPa{400~4000mmH ₂ O}
	H	20~200kPa{0.2~2kgf/cm ² }
	A	70~700kPa{0.7~7kgf/cm ² }
	B	0.21~2.1MPa{2.1~21kgf/cm ² }
高压侧 (法兰侧) 接液部分材质 (注1)	S	[膜片] SUS316L [其它] SUS316
	H	哈氏合金C-276 哈氏合金C
	T	钽 (钽)
法兰规格	J1	JIS 10K
	J2	JIS 20K
	A1	ANSI 150
	A2	ANSI 300
	P1	JPI 150
	P2	JPI 300
	D1	DIN PN10/16
	D4	DIN PN25/40
	G2	GB PN10/16 (GB/T9115.1-2000)
	G4	GB PN25/40 (GB/T9115.1-2000)
法兰尺寸/材质	A	2-inch(50mm, DN50)/S25C
	B	2-inch(50mm, DN50)/SUS304
	C	2-inch(50mm, DN50)/SUS316
侧压侧管道连接	2	带M20 X 1.5 DIN 16 288外螺纹的过程接头
	3	带1 / 4NPT内螺纹的过程接头
	4	带1 / 2NPT内螺纹的过程接头
	5	无管道过程连接件(1/4NPT内螺纹在容室法兰上)
法兰螺栓材料	A	SUM435
	B	SUS630
	C	SUH660
安装	-9	水平配管连接, 左边高压
接线口	2	M20 x 1.5内螺纹, 2处接线口
	5	M20 x 1.5内螺纹, 两个电气接口, 一个盲塞
显示表头	D	线性表头
	E	带设定按钮的数字表头
	N	(无表头)
-	N	通常为N
危险场所认证	B	本安型 (ia II CT4/T6)
	F	隔爆型 (d II CT4/T6)

例: HN210A-EMSA1A5A-92NN

注: 低压侧接液总部分材质: 容室法兰: SCS14A, 管道接件: SCS14A 膜盒: SUS316L, 排气螺钉: SUS316L

外型尺寸

210A 单位: mm (inch)



法兰尺寸: 3inch(80mm, DN80)

法兰公称通径与规格	φ D	φ C	φ g	φ d	t	螺栓孔	
						数量	直径
JIS 10K	185 (7.28)	150 (5.91)	130 (5.12)	90 (3.54)	18 (0.71)	8	19 (0.75)
JIS 20K	200 (7.87)	160 (6.30)	130 (5.12)	90 (3.54)	22 (0.87)	8	23 (0.91)
ANSI 150	190.5 (7.50)	152.4 (6.00)	130 (5.12)	90 (3.54)	23.9 (0.94)	4	19.1 (0.75)
ANSI 300	209 (8.25)	168.1 (6.62)	130 (5.12)	90 (3.54)	28.5 (1.12)	8	22.4 (0.88)
JPI 150	190 (7.48)	152.4 (6.00)	120 (5.12)	90 (3.54)	24 (0.44)	4	19 (0.75)
JPI 300	210 (8.27)	168.1 (6.62)	130 (5.12)	90 (3.54)	28.5 (1.12)	8	22 (0.87)
DIN PN 10/16	200 (7.87)	160 (6.30)	130 (5.12)	90 (3.54)	20 (0.79)	8	18 (0.71)
DIN PN 25/40	200 (7.87)	160 (6.30)	130 (5.12)	90 (3.54)	24 (0.44)	8	18 (0.71)
GB PN 10/16	200	160	130	90	20	8	18
GB PN 25/40	200	160	130	90	24	8	18

法兰尺寸: 2inch(50mm, DN50)

法兰公称通径与规格	φ D	φ C	φ g	φ d	t	螺栓孔	
						数量	直径
JIS 10K	155 (6.10)	120 (4.72)	100 (3.94)	90 (3.54)	61 (2.40)	8	19 (0.75)
JIS 20K	155 (6.10)	120 (4.72)	100 (3.94)	90 (3.54)	61 (2.40)	8	19 (0.75)
ANSI 150	152.4 (6.00)	120.0 (4.75)	100 (3.94)	90 (3.54)	61 (2.40)	4	19 (0.75)
ANSI 300	165.1 (6.50)	127 (5.00)	100 (3.94)	90 (3.54)	61 (2.40)	8	19 (0.75)
JPI 150	152 (5.98)	120.6 (4.75)	100 (3.94)	90 (3.54)	61 (2.40)	4	19 (0.75)
JPI 300	165.1 (8.27)	127 (5.00)	100 (3.94)	90 (3.54)	61 (2.40)	8	19 (0.75)
DIN PN 10/16	165 (6.50)	125 (4.92)	100 (3.94)	90 (3.54)	61 (2.40)	8	18 (0.71)
DIN PN 25/40	165 (6.50)	125 (4.92)	100 (3.94)	90 (3.54)	61 (2.40)	8	18 (0.71)
GB PN 10/16	165	125	100	90	61	8	18
GB PN 25/40	165	125	100	90	61	8	18

HN220A

型号	规格代码	说明
HN220A		法兰安装式差压变送器 (凸膜片型)
输出信号	-D	4~20mA
	-E	4~20mA, HART协议数字通讯
测量量程 (膜盒)	M	4~40kPa{400~4000mmH ₂ O}
	H	20~200kPa{0.2~2kgf/cm ² }
	A	70~700kPa{0.7~7kgf/cm ² }
	B	0.21~2.1MPa{2.1~21kgf/cm ² }
高压侧 (法兰侧) 接液部分材质 (注1)	S	[膜片] [管道] [其它] SUS316L SUS316 SUS316
	H	哈氏合金C-276 SUS316 SUS316
法兰规格	J1	JIS 10K
	J2	JIS 20K
	A1	ANSI 150
	A2	ANSI 300
	P1	JPI 150
	P2	JPI 300
	D1	DIN PN10/16
	D4	DIN PN25/40
	G2	GB PN10/16 (GB/T9115.1-2000)
G4	GB PN25/40 (GB/T9115.1-2000)	
隔膜凸出长度 (X ²)	2	X ₂ =50mm
	4	X ₂ =100mm
	6	X ₂ =150mm
法兰尺寸/材质	G	4-inch(100mm, DN100)/S25C
	H	4-inch(100mm, DN100)/SUS304
	J	4-inch(100mm, DN100)/SUS316
	D	3-inch(80mm, DN80)/S25C
	E	3-inch(80mm, DN80)/SUS304
	F	3-inch(80mm, DN80)/SUS316
低压侧管道连接	2	带M20 X 1.5 DIN 16 288外螺纹的过程接头
	3	带1 / 4NPT内螺纹的过程接头
	4	带1 / 2NPT内螺纹的过程接头
	5	无管道过程连接件(1/4NPT内螺纹在容室法兰上)
法兰螺栓材料	A	SUM435
	B	SUS630
	C	SUH660
安装	-9	水平配管连接, 左边高压
接线口	2	M20 x 1.5内螺纹, 2处接线口
	5	M20 x 1.5内螺纹, 两个电气接口, 一个盲塞
显示表头	D	线性表头
	E	带设定按钮的数字表头
	N	(无表头)
-	N	通常为N
危险场所认证	B	本安型 (ia II CT4/T6)
	F	隔爆型 (d II CT4/T6)

例: HN220A-EMSA12G5A-92NN

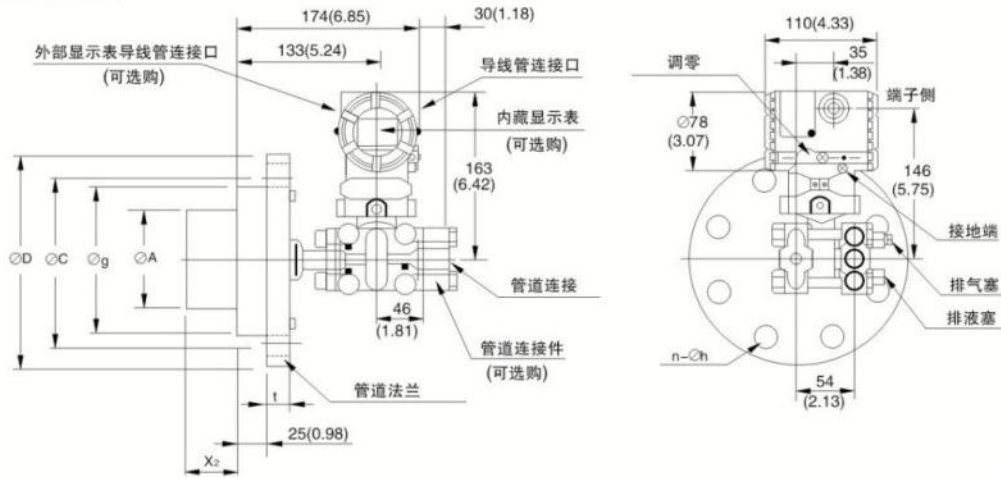
注1: 低压侧接液总部分材质: 容室法兰: SCS14A, 管道接件: SCS14A 膜盒: SUS316L, 排气螺钉: SUS316L

注2: 仅适用4-inch (100mm, DN100) 法兰 (法兰尺寸/材质代码: "G" 或 "H" "J")

注3: 仅适用3-inch (80mm, DN80) 法兰 (法兰尺寸/材质代码: "D" 或 "E" "F")

外型尺寸

220A 单位: mm (inch)



法兰尺寸: 4inch(100mm, DN100)

法兰公称通径与规格	φD	φC	φg	VVVVEA	t	螺栓孔	
						数量	直径
JIS 10K	210 (8.27)	175 (6.89)	155 (6.10)	96 (3.78)	18 (0.71)	8	19 (0.75)
JIS 20K	225 (8.86)	185 (7.28)	155 (6.10)	96 (3.78)	24 (0.94)	8	23 (0.91)
ANSI 150	228.6 (9.00)	190.5 (7.50)	155 (6.10)	96 (3.78)	23.9 (0.94)	8	19.1 (0.75)
ANSI 300	254 (10.00)	200 (7.87)	155 (6.10)	96 (3.78)	31.8 (1.25)	8	22.4 (0.88)
JPI 150	229 (9.02)	190.5 (7.50)	155 (6.10)	96 (3.78)	24 (0.94)	8	19 (0.75)
JPI 300	254 (10.00)	220.2 (7.88)	155 (6.10)	96 (3.78)	32 (1.26)	8	22 (0.87)
DIN PN 10/16	220 (8.66)	180 (7.09)	155 (6.10)	96 (3.78)	20 (0.79)	8	18 (0.71)
DIN PN 25/40	235 (9.25)	190 (7.50)	155 (6.10)	96 (3.78)	24 (0.94)	8	21 (0.87)
GB PN 10/16	220	180	155	96 (3.78)	22	8	18
GB PN 25/40	235	190	155	96 (3.78)	22	8	22

法兰尺寸: 4inch(100mm, DN100)

法兰公称通径与规格	φD	φC	φg	φA	t	螺栓孔	
						数量	直径
JIS 10K	185 (7.28)	150 (5.91)	130 (5.12)	71 (2.80)	18 (0.71)	8	19 (0.75)
JIS 20K	200 (7.28)	160 (6.30)	130 (5.12)	71 (2.80)	22 (0.87)	8	23 (0.91)
ANSI 150	190.5 (7.50)	152.4 (6.00)	130 (5.12)	71 (2.80)	23.9 (0.94)	4	19.1 (0.75)
ANSI 300	209.6 (8.25)	168.1 (6.62)	130 (5.12)	71 (2.80)	28.5 (1.12)	8	22.4 (0.88)
JPI 150	90 (7.48)	152.4 (6.00)	130 (5.12)	71 (2.80)	24 (0.94)	4	19 (0.75)
JPI 300	210 (8.27)	168.1 (6.62)	130 (5.12)	71 (2.80)	28.5 (1.12)	8	22 (0.87)
DIN PN 10/16	200 (7.88)	160 (6.30)	130 (5.12)	71 (2.80)	20 (0.79)	8	18 (0.71)
DIN PN 25/40	200 (7.87)	160 (6.30)	130 (5.12)	71 (2.80)	24 (0.94)	8	18 (0.71)
GB PN 10/16	200	160	130 (5.12)	71 (2.80)	20	8	18
GB PN 25/40	200	160	130 (5.12)	71 (2.80)	24	8	18

膜片凸出长度	X ₂
2	1.97inch (50mm)
4	3.94inch (100mm)
6	5.91inch (150mm)

HN310A绝对压力变送器



概要

HN310A绝对压力变送器用于测量气体，液体和蒸汽，然后转变成4~20mADC的电流信号输出。310A也可与HART®手操器互通讯，通过它们进行设定、监控等。

功能规格

输出

2线制，4~20MADC输出，数字通讯，可编程设定线性或平方根输出方式，HART协议加载在4~20MADC信号上。

电源电压

- 10.5~42V DC(工作状态)
- (10.5~30V DC本安型)
- 16.4~42V DC(数字通讯)
- (16.4~30V DC本安型)

负载 (输出信号代码为D和E时)

- 0~1335 Ω 工作状态
- 250~600 Ω 数字通讯

HART

通讯距离

用多芯双绞线时可通讯距最大可达1.5KM，通讯距离因电缆类型而异。

用下述公式确定电缆长度

$$L = \frac{65 \times 10^6}{(RXC)} \cdot \frac{(C_1 + 10, 000)}{C}$$

L=长度(m和ft)

R=阻抗(Ω，包括电源阻抗)

C=电缆电容(pF / m或pF/ft)

C₁=最大并联电容(pF / m或pF/ft)

阻尼时间常数

放大器部件和膜盖的阻尼时间常数之和。放大器部件阻尼时间常数在0.2~64秒范围可调。

环境温度

- 40~85°C (-40 ~ 185° F)
- 30~80°C (-22 ~ 176° F)[带LCD表头]

接液温度

- 40~120°C (-40 ~ 248° F)[M和A膜盒]
- 40~100°C (-40 ~ 212° F)[L膜盒]

性能规格

调量程的参考精度

(包括从零点开始的线性、滞后性和重复性)
±0.15%或0.20% (L膜盒)

型号和规格代码表

型号	规格代码	说明
HN310A		绝对压力变送器
输出信号	-D -E	4-20mA 4-20mA, HART协议数字通讯
测量量程 (膜盒)	M H A B V	0.40~40kPa{40~4000mmH ₂ O} 2~200kPa{0.02~2kgf/cm ² } 70~700kPa{0.07~7kgf/cm ² } 0.021~2.1MPa{0.21~21kgf/cm ² } 0.07~7MPa{0.7~70kgf/cm ² }
接液部分材质	S H	[本体] [膜盒] [排气螺钉] SCS14A (注1) SUS316L SUS316 SCS14A 哈氏合金C-276 SUS316
管道连接	2 3 4 5	带M20 X 1.5 DIN 16 288外螺纹的过程接头 带1 / 4NPT内螺纹的过程接头 (注6) 带1 / 2NPT内螺纹的过程接头 (注6) 无管道过程连接件(1/4NPT内螺纹在容室法兰上)
螺栓、螺母材质	A B C	[最大工作压力] L膜盒 M膜盒 A膜盒 SCM435 10kPa abs 130kPa abs 3MPa abs { 75mmHg abs } { 960mmHg abs } { 30kgf/cm ² abs } SCM630 10kPa abs 130kPa abs 3MPa abs { 75mmHg abs } { 960mmHg abs } { 30kgf/cm ² abs } SCM660 10kPa abs 130kPa abs 3MPa abs
安装方式	-2 -3 -6 -7 -8 -9	垂直安装, 右面高压, 过程接头在上(注2) 垂直安装, 右面高压, 急程接头在下(注2) 垂直安装, 左面高压, 过程接头在上(注2) 垂直安装, 左面高压, 过程接头在下(注2) 水平安装, 右面高压(注3) 水平安装, 左面高压(注3)
接线口	2 5	M20 × 1.5内螺纹, 2处接线口 M20 × 1.5内螺纹, 两个电气接口, 一个盲塞
显示表头	D E N	线性表头 带设定按钮的数字表头 (无表头)
2-inch 管安装支架	A B C D N	SECC 平托架 SUS304 平托架 SECC L型托架 SUS304 L型托架 无安装支架
危险场所认证	B F	本安型 (ia II CT4/T6) 隔爆型 (d II CT4/T6)

例: HN310A-EMS5A-92NN

注1: 容室法兰和过程接头的材质。

注2: 必要时, 选代码为C和D的安装支架。

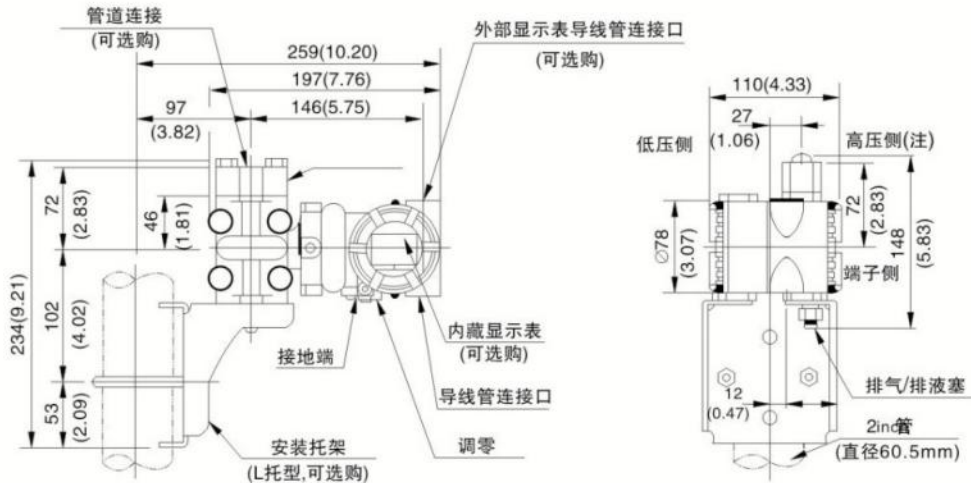
注3: 必要时, 选代码为A和D的安装支架。

外型尺寸

HN310A

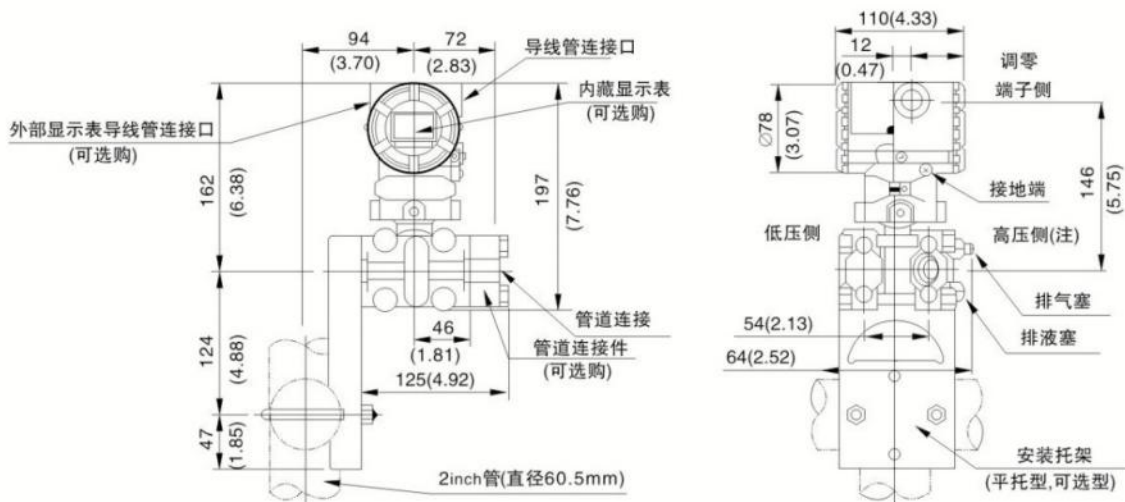
垂直配管安装方式 单位mm (inch)

管道连接件在 (安装代码为2) (对于代码3, 6或7, 参见后面注释)



水平配管安装方式 单位mm (inch)

(安装代码为8) (对于代码9, 参见后面注释)



注1: 当选安装为2, 3或8时, 高、低压侧与上图相反

注2: 当选安装为3或7时, 过程安装支架与上图相反

端子侧接线图



接线端子

SUPPLY±	供电电源和输出端
CHECK±	外接指示计 (安培表) 接线端
⏏	接地端

注: 用外部指示计或检测计时的阻抗应 $\leq 10\Omega$

HN430A压力变送器



概要

430A绝对压力变送器用于测量气体，液体和蒸汽的压力，然后转变成4~20mADC的电流信号输出。430A也可与HART®手操器相互通讯，通过它进行设定、监控等。

功能规格

输出

2线制，4~20MA DC输出，数字通讯，可编程设定线性或平方根输出方式，HART协议加载在4~20MADC信号上。

电源电压

- 10.5~42V DC(工作状态)
- (10.5~30V DC本安型)
- 16.4~42V DC(数字通讯)
- (16.4 ~ 30V DC本安型)
- 9.0~32V DC(FF现场总线通讯)

负载

- 0~1335 Ω 工作状态
- 250~600Ω 数字通讯

HART

通讯距离

用多芯双绞线时可通讯距最大可达1.5KM，通讯距离因电缆类型而异。

用下述公式确定电缆长度

$$L = \frac{65 \times 10^6}{(RXC)} \cdot \frac{(C_1 + 10,000)}{C}$$

L=长度(m和ft)

R=阻抗(Ω，包括电源阻抗)

C=电缆电容(pF / m或pF/ft)

C₁=最大并联电容(pF / m或pF/ft)

阻尼时间常数

放大器部件和膜盒的阻尼时间常数之和。放大器部件阻尼时间常数在0.2~64秒范围可调。

环境温度

- 40~85°C (-40 ~ 185° F)
- 30~80°C (-22 ~ 176° F)[带LCD表头]

接液温度

- 40~120°C (-40 ~ 248° F)

性能规格

调量程的参考精度

(包括从零点开始的线性、滞后性和重复性)
±0.015%~±0.5%

型号和规格代码表

型号	规格代码	说明
HN430A		压力变送器
输出信号	-D	4~20mA
	-E	4~20mA, HART协议数字通讯
测量量程 (膜盒)	L	0.12~7.5kPa{12~750mmHzO}
	M	0.40~40kPa{40~4000mmHzO}
	H	2~200kPa{0.02~2kgf/cm ² }
	A	7~700kPa{0.07~7kgf/cm ² }
	B	0.021~2.1MPa{0.21~21kgf/cm ² }
	V	0.07~7MPa{0.7~70kgf/cm ² }
	W	0.21~21MPa{1.2~210kgf/cm ² }
接液部分材质	S	[本体] (注1) [膜盒] [排气螺钉] SCS14A SUS316L SUS316
	H	SCS14A 哈氏合金C-276 (注2) SUS316
	M	SCS14A 蒙乃尔 (注2) SUS316
	T	SCS14A 钽 (注2) SUS316
	A	哈氏合金C-276 哈氏合金C-276 (注2) 哈氏合金C-276
	D	哈氏合金C-276 钽 (注2) 哈氏合金C-276
管道连接	2	带M20 X 1.5 DIN 16 288外螺纹的过程接头
	3	带1 / 4NPT内螺纹的过程接头
	4	带1 / 2NPT内螺纹的过程接头
	5	无管道过程连接件(1/4NPT内螺纹在容室法兰上)
		[最大工作压力]
螺栓、螺母材质	A	A膜盒 B膜盒 SCM435 3MPa {30kgf/cm ² } 14MPa {140kgf/cm ² }
	B	SCM630 3MPa {30kgf/cm ² } 14MPa {140kgf/cm ² }
	C	SCM660 3MPa {30kgf/cm ² } 14MPa {140kgf/cm ² }
安装方式	-2	垂直安装, 右面高压, 过程接头在上(注2)
	-3	垂直安装, 右面高压, 急程接头在下(注2)
	-6	垂直安装, 左面高压, 过程接头在上(注2)
	-7	垂直安装, 左面高压, 过程接头在下(注2)
	-8	水平安装, 右面高压(注3)
	-9	水平安装, 左面高压(注3)
接线口	2	M20 × 1.5内螺纹, 2处接线口
	5	M20 × 1.5内螺纹, 两个电气接口, 一个盲塞
显示表头	D	线性表头
	E	带设定按钮的数字表头
	N	(无表头)
2-inch 管安装支架	A	SECC 平托架
	B	SUS304 平托架
	C	SECC L型托架
	D	SUS304 L型托架
	N	无安装支架
危险场所认证	B	本安型 (ia II CT4/T6)
	F	隔爆型 (d II CT4/T6)

例: HN430A-ENS5A-92NN

注1: 指容室法兰和过程接头的材质。

注2: 膜片和其它接液材质。

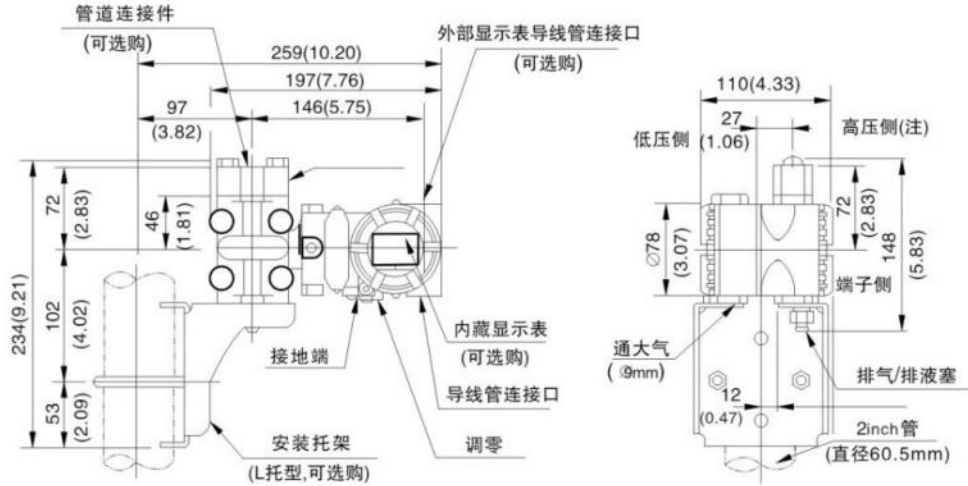
注3: 必要时, 选代码为C和D的安装支架。

注4: 必要时选代码为A和B的安装支架。

外型尺寸

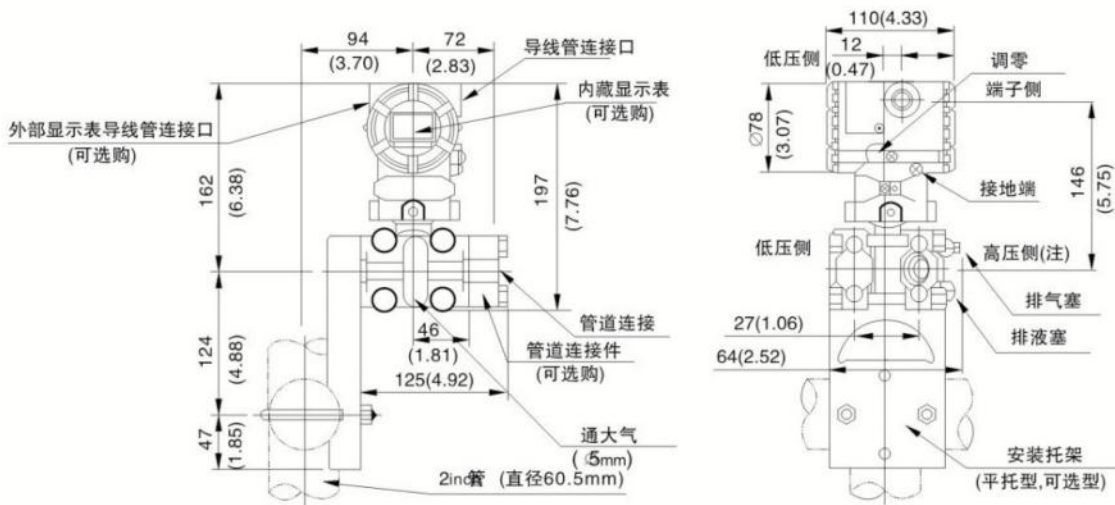
HN430A 垂直配管安装方式 单位: mm(inch)

管道连接件在上 (安装代码为2) (对于代码3, 6或7, 参见后面注释)



HN430A水平配管安装方式 单位mm (inch)

(安装代码为8) (对于代码9, 参见后面注释)



端子侧接线图



手持终端(275等)接线端子

检测表连接端子

接线端子

SUPPLY \pm	供电电源和输出端
CHECK \pm	外接指示计 (安培表) 接线端
\perp	接地端

注: 用外部指示计或检测计时 的阻抗应 $\leq 10\Omega$

HN510A & HN530A绝对压力/压力变送器



概要

510A绝对压力变送器和530A压力变送器用于测量气体，液体和蒸汽压力，并将其转变成4~20mADC的电流信号输出。510A和530A也HART[®]手操器互通讯，通过它们进行设定、监控等。

功能规格

输出

2线制，4~20mADC输出，数字通讯，可编程设定线性或平方根输出方式，HART协议加载在4~20mADC信号上。

电源电压

10.5~42VDC(工作状态)

16.4~42VDC(数字通讯)

16.4~30VDC(本安型)

负载(输出信号代码为D和E时)

0~1335Ω 工作状态

250~600Ω 数字通讯

HART

通讯距离

用多芯双绞线时可通讯距最大可达1.5km，通讯距离因电缆类型而异。

用下述公式确定电缆长度

$$L = \frac{65 \times 10^6}{(RXC)} \cdot \frac{(C_i + 10,000)}{C}$$

L=长度(m和ft)

R=阻抗(Ω，包括电源阻抗)

C=电缆电容(pF/m或pF/ft)

C_i=最大并联电容(pF/m或pF/ft)

阻尼时间常数

放大器部件和膜盘的阻尼时间常数之和。放大器部件阻尼时间常数在0.2~64秒范围可调。

环境温度

-40~85℃ (-40~248° F)

-30~80℃ (-22~176° F)[带LCD表头]

接液温度

-40~120℃ (-40~248° F)

性能规格

调量程的参考精度

(包括从零点开始的线性、滞后性和重复性)
±0.075%

稳定性

±0.1%量程上限/12个月

型号和规格代码表

HNA510A和HNA530A

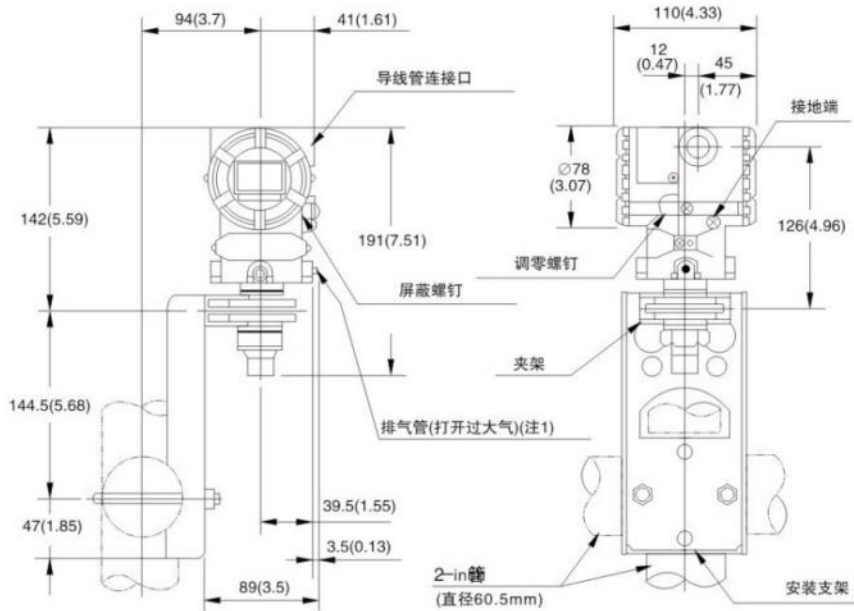
型号	规格代码	说明
HN510A HN530A	绝对压力变送器 压力变送器
输出信号	-D -E	4~20mA 4~20mA, HART协议数字通讯
测量量程 (膜盒)	A B C D E F G H I J	0.12~7.5kPa{12~750mmH ₂ O} 0.40~40kPa{40~4000kgf/cm ² } 2~200kPa{0.02~2kgf/cm ² } 7~700MPa{0.07~7kgf/cm ² } 0.021~2.1MPa{0.21~21kgf/cm ² } 0.1~10MPa{1~100kgf/cm ² } 0.4~40MPa{4~400kgf/cm ² } 1.2~100MPa{12~1000kgf/cm ² }
接液部分材质	S H	[过程接头] [膜片] SCS316L SUS316L 哈氏合金C-276 哈氏合金C-276
管道连接	4 7 8 9	1/2NPT内螺纹 1/2NPT外螺纹 G1/2DIN 16 288 外螺纹 M20X1.5DIN 16 288外螺纹
-	N	N
-	-0	0
接线口	2 5	M20 × 1.5内螺纹, 2处接线口 M20 × 1.5内螺纹, 两个电气接口, 一个盲塞
显示表头	D E N	线性表头 带设定按钮的数字表头 (无表头)
管安装支架	E F N	SECCD碳钢 2-inch管安装 SUS304 2-inch管安装 无安装支架
危险场所认证	B F	本安型 (ia II CT4/T6) 隔爆型 (d II CT4/T6)

例: HN530A-EAS4N-02NN

外型尺寸

HN510A、530A 单位: mm (inch)

管道连接代码为“7”

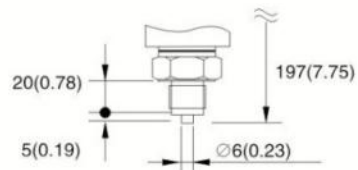


注1: 适用于530A膜盒代码A、B、C

管道连接代码“4”



管道连接代码“8”、“9”



端子侧接线图



接线端子

SUPPLY ±	供电电源和输出端
CHECK ±	外接指示计(安培表)接线端
±	接地端

注2: 用外部指示计或检测计时的阻抗应 $\leq 10 \Omega$

HN118W、N、Y隔膜密封式差压变送器



概要

密封隔膜是用于防止管道中的介质直接进入差压变送器里的压力传感器组件中、它与变送器之间是靠注满流体的毛细管连接起来的。

118W、118N和118Y隔膜密封式差压变送器用于测量液体、气体和蒸汽的流量、液位、密度和压力，然后输出与测得的差压相对应4~20mA Dc信号。

由于它们可与HART® 手操器相互进行通讯。故可进行远程设定及监控。

功能规格

通信线路条件

电源电压：16.4~42VDC(16.4~30V DC)

通信距离：1.5km，使用CEV电缆时

负载电容：0.22u F以下

负载电感：3.3mH以下

与电源线的间距：15cm以上

连接于接收电阻上的接收仪表的输入阻抗在2.4kHz

时，为10kΩ 以上

环境温度

-40~85℃ (-40~185° F)(一般型)

-30~80℃ (-22~176° F)(带数字式表头)

工作压力

2.7kPa abs(20mmHg abs)

~ 法兰的额定工作压力

电源电压变动的影

$\pm 0.005\% / V(21.6 \sim 32V Dc, 350\Omega)$

安装

变送器：2-inch管道安装

隔膜密封件：法兰安装

安装法兰规格

ANSI规格的法兰与垫片接触的一面，进行锯齿形加工(根据ANSI B16.5)

变送器材质

法兰：JLS SCS14A

法兰螺栓：参阅“型号及规格代码表”

隔膜密封件材质

毛细管：JIS SUS316

保护管：JIS SUS304

PVC屏蔽(PVC的最大使用温度：100℃)

阻尼时间常数

放大器组件和带隔膜密封件的膜盒组件的时间常数相加值

放大器组件时间常数0.2~64秒，可分9段设定

当毛细管长5m。注入液的代码A时，在正常温度下取得的值

型号和规格代码一览表

HN118W型[法兰尺寸: 3-inch(80mm, DN80)]

型号	规格代码	说明
HN118A		隔膜密封式差压变送器(平膜片形)
输出信号	-D	4~20mA
	-E	4~20mA, DC带数字通讯(HART协议)
测量量程 (膜盒)	M	4~40kPa{400~4000mmH ₂ O}
	H	20~200kPa{0.2~2kgf/cm ² }
	A	70~700kPa{0.7~7kgf/cm ² }
	B	0.21~2.1MPa{2.1~21kgf/cm ² }
	V	0.07~7MPa{0.7~70kgf/cm ² }
接液部分材质	S	[膜盒] JIS SUS316L [其它] JIS SUS316L
	H	哈氏合金C-276 哈氏合金C-276
	Y	钽 钽
	U	钛 钛
法兰规格	J1	JIS 10K
	J2	JIS 20K
	J4	JIS 40K
	A1	ANSI 150
	A2	ANSI 300
	A4	ANSI 600
	P1	JPI 300
	P2	JPI 600
	P4	DIN PN10/16
	D2	DIN PN25/40
	D4	DIN PN60
	D5	GB PN10/16 (GB/T9115.1-2000)
	G2	GB PN25/40 (GB/T9115.1-2000)
G4	GB PN100 (GB/T9115.1-2000)	
G6		
法兰尺寸/材质	D	3-inch (80mm, DN80) /JISS25 C
	E	3-inch (80ram, DN80) /JIS SUS304
	F	3-inch (80mm, DN80) /JIS SUS316
法兰螺栓材质	A	JIS SCM435
	B	JIS SUS630
注入液	-A	(接液温度) (环境温度) 一般型(硅油) -10~250℃ -10~60℃
	-B	一般型(硅油) -30~180℃ -15~60℃
	-C	(注2) 高温型(硅油) -10~300℃ -10~60℃
	-D	禁油型(硅油) -20~120℃ -10~60℃
	-E	低温型(乙(撑)二醇) -50~100℃ -40~60℃
-	A	通常为A
毛细管长度(m)	□□ (注3)	规定的毛细管长度从1~10m, 用□□表示(例如: 2m: 02)
安装	-0	水平配管连接型, 左面高压
接线口	2	M20X1.5内螺纹, 2处接线口
	5	M20X1.5内螺纹, 两个电气接口, 一个盲塞
内藏显示表	D	线性表头
	E	带范围设定开关的数字表头
	N	(无)
2-inch 管安装支架	A	JIS SECC平托型
	B	JIS SUS304平托型
	N	(无)
危险场所认证	B	本安型 (ia II CT4/T6)
	F	隔爆型 (d II CT4/T6)

例: HN118W-EMSA1EA-AA02-92NN

注1: 如选择接液件材质代码“T”(钽), 接液温度-10~200℃; 注2: 不适用于接液件材质代码“T”(钽);

注3: 如选择接液材质代码“H”(哈氏合金)、“T”(钽)、“U”(钛)或充灌液代码“C”(高温时), 毛细管长度规定为1~5m。

● HN118W 型[法兰尺寸: 2-inch (50mm, DN50)]

型 号	规 格 代 码	说 明
HN118W	隔膜密封式差压变送器 (平膜片形)
输出信号	-D	4-20mA
	-E	4-20mA, DC带数字通讯 (HART协议)
测量量程 (膜盒)	M	4-40kPa{400-4000mmHzO}
	H	20-200kPa{0.2-2kgf/cm ² }
	A	70-700kPa{0.7-7kgf/cm ² }
	B	0.21-2.1MPa{2.1-21kgf/cm ² }
	V	0.07-7MPa{0.7-70kgf/cm ² }
接液部分材质	S	[膜盒] JIS SUS316L
	H	[其它] JIS SUS316L
	Y	哈氏合金C-276
	U	钽 钛
法兰规格	J1	JIS 10K
	J2	JIS 20K
	J4	JIS 40K
	A1	ANSI 150
	A2	ANSI 300
	A4	ANSI 600
	P1	JPI 150
	P2	JPI 300
	P4	JPI 600
	D2	DIN PN10/16
	D4	DIN PN25/40
	D5	DIN PN64
	G2	GB PN10/16 (GB/T9115.1-2000)
G4	GB PN25/40 (GB/T9115.1-2000)	
G6	GB PN100 (GB/T9115.1-2000)	
法兰尺寸/材质	A	2-inch (50mm, DN50) /JISS25 C
	B	2-inch (50ram, DN50) /JIS SUS304
	C	2-inch (50mm, DN50) /JIS SUS316
法兰螺栓材质	A	JIS SCM435
	B	JIS SUS630
注入液	-A	(接液温度) (环境温度) 一般型 (硅油) -10-250℃ -10-60℃
	-B	一般型 (硅油) -30-180℃ -15-60℃
-	A	通常为A
毛细管长度 (m)	□□	规定的毛细管长度从1-10m, 用□□表示 (例如:2m:02)
安装	-0	水平配管连接型, 左面高压
接线口	2	M20X1.5内螺纹, 2处接线口
	5	M20X1.5内螺纹, 两个电气接口, 一个盲塞
内藏显示表	D	线性表头
	E	带范围设定开关的数字式显示表
	N	(无)
2-inch 管安装支架	A	JIS SECC平托型
	B	JIS SUS304平托型
	N	(无)
危险场所认证	B	本安型 (ia II CT4/T6)
	F	隔爆型 (d II CT4/T6)

例: HN118W-EMSA1AA-AA02-92NN

● HN118N 型[法兰尺寸: 4-inch (100mm, DN100)]

型号	规格代码	说明
HN118N	隔膜密封式差压变送器 (凸膜片形)
输出信号	-D	4~20mA
	-E	4~20mA, DC带数字通讯 (HART协议)
测量量程 (膜盒)	M	4~40kPa{400~4000mmH ₂ O}
	H	20~200kPa{0.2~2kgf/cm ² }
	A	70~700kPa{0.7~7kgf/cm ² }
	B	0.21~2.1MPa{2.1~21kgf/cm ² }
	V	0.07~7MPa{0.7~70kgf/cm ² }
接液部分材质	S	[隔膜] [管道] [其它] JIS SUS316L JIS SUS316 JIS SUS316
	H	哈氏合金C-276 JIS SUS316 JIS SUS316
法兰规格	J1	JIS 10K
	J2	JIS 20K
	J4	JIS 40K
	A1	ANSI 150
	A2	ANSI 300
	A4	ANSI 600
	P1	JPI 150
	P2	JPI 600
	P4	DIN PN10/16
	D2	DIN PN25/40
	D4	DIN PN64
	D5	GB PN10/16 (GB/T9115.1-2000)
	G2	GB PN25/40 (GB/T9115.1-2000)
G4	GB PN100 (GB/T9115.1-2000)	
G6		
隔膜凸出长度 (X)	2	X ₂ =50mm
	4	X ₂ =100mm
	6	X ₂ =150mm
法兰尺寸/材质	G	4-inch (100mm) /JIS S25 C
	H	4-inch (100mm) /JIS SUS304
	J	4-inch (100mm) /JIS SUS316
法兰螺栓材质	A	JIS SCM435
	B	JIS SUS630
注入液	-A	(接液温度) (环境温度) 一般型 (硅油) -10~250℃ -10~60℃
	-B	一般型 (硅油) -30~180℃ -15~60℃
	-C	高温型 (硅油) -10~300℃ -10~60℃
	-D	禁油型 (硅油) -20~120℃ -10~60℃
	-E	低温型 (乙 (撑) 二醇) -50~100℃ -40~60℃
-	B	通常为B
毛细管长度 (m)	□□	(注1) (注2) 规定的毛细管长度从1~10m, 用□□表示 (例如: 2m: 02)
安装	-9	水平配管连接型, 左面高压
接线口	2	M20X1.5内螺纹, 2处接线口
	5	M20X1.5内螺纹, 两个电气接口, 一个盲塞
内藏显示表	D	线性表头
	E	带范围设定开关的数字式显示表
	N	(无)
2-inch 管安装支架	A	JIS SECC平托型
	B	JIS SUS304平托型
	N	(无)
危险场所认证	B	本安型 (ia II CT4/T6)
	F	隔爆型 (d II CT4/T6)

例: HN118N-EMSA 12GA-AB02-92NN

注1: 如选择充灌液代码“C”(高温用), 毛细管长度规定为1~5m。注2: 毛细管长度包括膜片凸出长度(X)和法兰厚度(t)。

HN118N 型[法兰尺寸: 3-inch (80mm, DN80)]

型 号	规 格 代 码	说 明
HN118N		隔膜密封式差压变送器 (凸膜片形)
输出信号	-D	4~20mA
	-E	4~20mA, DC带数字通讯 (HART协议)
测量量程 (膜盒)	M	4~40kPa{400~4000mmH ₂ O}
	H	20~200kPa{0.2~2kgf/cm ² }
	A	70~700kPa{0.7~7kgf/cm ² }
	B	0.21~2.1MPa{2.1~21kgf/cm ² }
	V	0.07~7MPa{0.7~70kgf/cm ² }
接液部分材质	S	[隔膜] JIS SUS316L [管道] JIS SUS316 [其它] JIS SUS316
	H	哈氏合金C-276 JIS SUS316 JIS SUS316
法兰规格	J1	JIS 10K
	J2	JIS 20K
	A1	ANSI 150
	A2	ANSI 300
	A4	JPI 150
	P1	JPI 600
	P2	DIN PN10/16
	D2	DIN PN25/40
	D4	GB PN10/16 (GB/T9115.1-2000)
	G2	GB PN25/40 (GB/T9115.1-2000)
	G4	GB PN100 (GB/T9115.1-2000)
隔膜凸出长度 (X ₂)	2	X ₂ =50mm
	4	X ₂ =100mm
	6	X ₂ =150mm
法兰尺寸/材质	D	3-inch (80mm, DN80) /JIS S25C
	E	3-inch (80mm, DNS0) /JIS SUS304
	F	3-inch (80mm, DN80) /JIS SUS316
法兰螺栓材质	A	JIS SCM435
	B	JIS SUS630
注入液	-A	(接液温度) (环境温度) 一般型 (硅油) -10~250℃ -10~60℃
	-B	一般型 (硅油) -30~180℃ -15~60℃
-	B	通常为B
毛细管长度 (m)	□□ (注1)	规定的毛细管长度从1~10m, 用□□表示 (例如: 2m: 02)
安装	-9	水平配管连接型, 左面高压
接线口	2	M20X1.5内螺纹, 2处接线口
	5	M20X1.5内螺纹, 两个电气接口, 一个盲塞
内藏显示表	D	线性表头
	E	带范围设定开关的数字式显示表
	N	(无表头)
2-inch 管安装支架	A	JIS SECC平托型
	B	JIS SUS304平托型
	N	(无)
危险场所认证	B	本安型 (ia II CT4/T6)
	F	隔爆型 (d II CT4/T6)

例: HN118N-EMSA 12DA-AB02-92NN

注1: 毛细管长度包括膜片凸出长度 (X₂) 和法兰厚度 (t)

HN118Y型

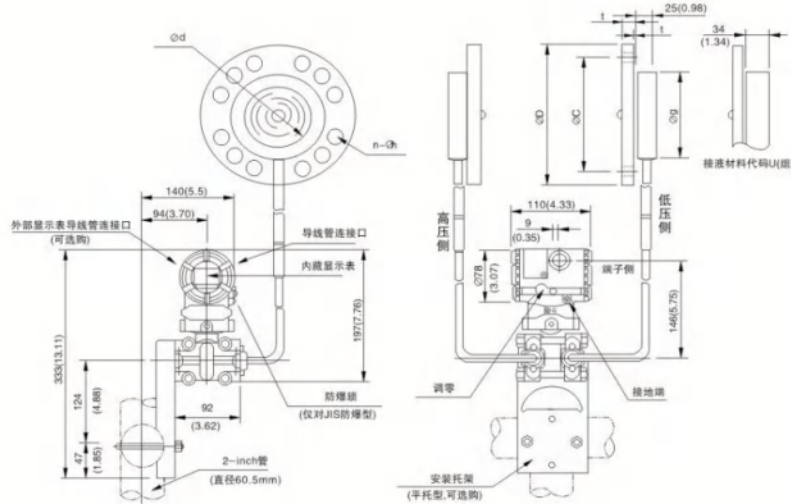
型号	规格代码	说明
HN118Y	隔膜密封式差压变送器（凸膜片形）
输出信号	-D	4~20mA
	-E	4~20mA, DC带数字通讯（HART协议）
测量量程 （膜盒）	M	4~40kPa{400~4000mmH ₂ O}
	H	20~200kPa{0.2~2kgf/cm ² }
	A	70~700kPa{0.7~7kgf/cm ² }
	B	0.21~2.1MPa{2.1~21kgf/cm ² }
	V	0.07~7MPa{0.7~70kgf/cm ² }
接液部分材质	S	[隔膜] JIS SUS316L
	H	[管道] JIS SUS316 [其它] JIS SUS316 哈氏合金C-276 JIS SUS316 JIS SUS316
法兰规格	J1	JIS 10K
	J2	JIS 20K
	A1	ANSI 150
	A2	ANSI 300
	P1	JPI 150
	P2	JPI 300
	D2	DIN PN10/16
	D4	DIN PN25/40
	G2	GB PN10/16 (GB/T9115.1-2000)
G4	GB PN25/40 (GB/T9115.1-2000)	
隔膜凸出长度(X ₂)	2	X ₂ =50mm
	4	X ₂ =100mm
	6	X ₂ =150mm
法兰尺寸/材质	P	高压侧4-inch (100mm, DN100) /JIS S25 C
	Q	低压侧3-inch (80mm, DN80) /JIS S25 C
	R	高压侧4-inch (100mm, DN100) /JIS SUS304 低压侧3-inch (80mm, DN80) /JIS SUS304 高压侧4-inch (100mm, DN100) /JIS SUS316 低压侧3-inch (80mm, DN80) /JIS SUS316
法兰螺栓材质	A	JIS SCM435
	B	JIS SUS630
注入液	-A	一般型（硅油）
	-B	一般型（硅油）
	-C	高温型（硅油）
	-D	禁油型（硅油）
	-E	低温型（乙（撑）二醇）
-	C	通常为C
毛细管长度 (m)	□□	规定的毛细管长度从1~10m, 用□□表示（例如：2m: 02）
安装	-9	水平配管连接型, 左面高压
接线口	2	M20X1.5内螺纹, 2处接线口
	5	M20X1.5内螺纹, 两个电气接口, 一个盲塞
内藏显示表	D	线性表头
	E	带范围设定的数字式显示表
	N	（无）
2-inch 管安装支架	A	JIS SECC平托型
	B	JIS SUS304平托型
	N	（无）
危险场所认证	B	本安型（ia II CT4/T6）
	F	隔爆型（d II CT4/T6）

例：HN118Y-EMSA12PA-AC02-92NN

注1：低压侧（平膜式）接液部分材质：隔膜：SUS316L, 其它：SUS316L。注2：如选择充灌液代码“C”（高温用），毛细管长度规定为1~5m。注3：毛细管长度（凸膜片侧）包括膜片长度（X）和法兰厚度（t）。

外型尺寸

HN118A 单位: mm (inch)



法兰尺寸: 3inch(80mm, DN80)

法兰规格	ϕD	ϕC	ϕg	ϕd	t	f*	n	ϕh
JIS 10K	185 (7.28)	150 (5.91)	130 (5.12)	90 (3.54)	18 (0.71)	0(0)	8	19 (0.75)
JIS 20K	200 (7.87)	160 (6.30)	130 (5.12)	90 (3.54)	22 (0.87)	0(0)	8	23 (0.91)
JIS 40K	210(8.27)	170(6.69)	130 (5.12)	90 (3.54)	32(1.26)	0(0)	8	23(0.91)
ANSI 150	190.5 (7.50)	152.4 (6.00)	130 (5.12)	90 (3.54)	23.9(0.94)	1.6(0.06)	4	19.1 (0.75)
ANSI 300	209.6 (8.25)	168.1 (6.62)	130 (5.12)	90 (3.54)	28.5(1.12)	1.6(0.06)	8	22.4 (0.88)
ANSI 600	209.6(8.25)	168.1(6.62)	130 (5.12)	90 (3.54)	38.2(1.50)	6.4(0.25)	8	22.4(0.88)
JPI 150	190 (7.48)	152.4 (6.00)	130 (5.12)	90 (3.54)	24(0.94)	1.6(0.06)	4	19 (0.75)
JPI 300	210 (8.27)	168.1 (6.62)	130 (5.12)	90 (3.54)	28.5(1.12)	1.6(0.06)	8	22 (0.87)
JPI 600	210(8.27)	168.1(6.62)	130 (5.12)	90 (3.54)	38.2(1.50)	6.4(0.25)	8	22(0.87)
DIN PN 10/16	200 (7.88)	160 (6.30)	130 (5.12)	90 (3.54)	20(0.79)	0	8	18 (0.71)
DIN PN 25/40	200 (7.88)	160 (6.30)	130 (5.12)	90 (3.54)	24(0.94)	0	8	18 (0.71)
DIN PN64	215(8.46)	170(6.69)	130 (5.12)	90 (3.54)	28(1.10)	0	8	22(0.87)
GB PN 10/16	200(7.88)	160(6.30)	130 (5.12)	90 (3.54)	20(0.79)	3(0.12)	8	18(0.71)
GB PN 25/40	200(7.88)	160(6.30)	130 (5.12)	90 (3.54)	24(0.94)	3(0.12)	8	18(0.71)
GB Pn100	210(8.27)	168.5(6.63)	130 (5.12)	90 (3.54)	32(1.10)	7(0.28)	8	18(0.71)

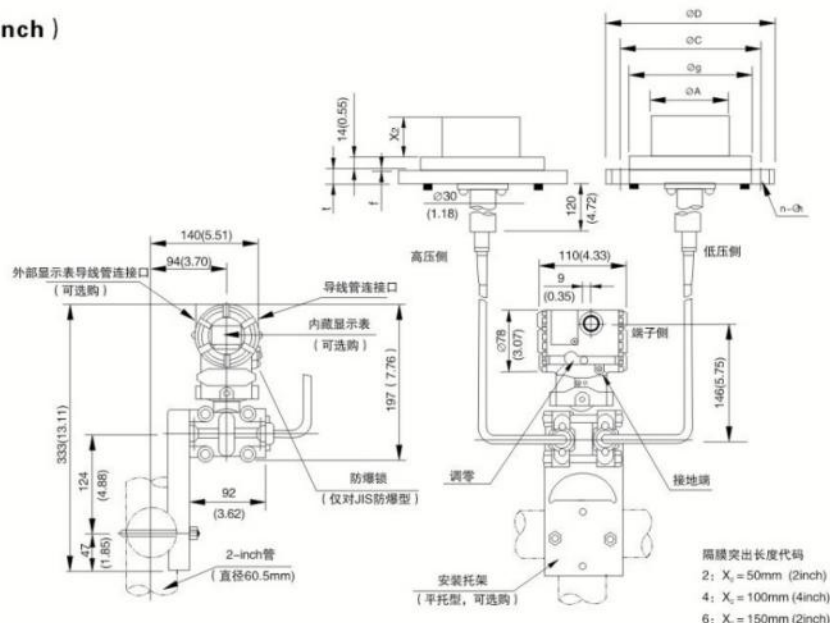
法兰尺寸: 2inch(50mm, DN50)

法兰规格	ϕD	ϕC	ϕg	ϕd	t	f*	n	ϕh
JIS 10K	155(6.10)	120(4.72)	100(3.94)	61(2.40)	16(0.63)	0(0)	4	19(0.75)
JIS 20K	155(6.10)	120(4.72)	100(3.94)	61(2.40)	18(0.71)	0(0)	8	19(0.75)
JIS 40K	165(6.50)	130(5.12)	100(3.94)	61(2.40)	26(1.02)	0(0)	8	19(0.75)
ANSI 150	152.4(6.00)	120.7(4.75)	100(3.94)	61(2.40)	19.1(0.75)	1.6(0.06)	4	19.1(0.75)
ANSI 300	165.1(6.50)	127.0(5.00)	100(3.94)	61(2.40)	22.4(0.88)	1.6(0.06)	8	19.1(0.75)
ANSI 600	165.1(6.50)	127.0(5.00)	100(3.94)	61(2.40)	31.8(1.25)	6.4(0.25)	8	19.1(0.75)
JPI 150	152(6.10)	120.6(4.75)	100(3.94)	61(2.40)	19.5(0.77)	1.6(0.06)	4	19(0.75)
JPI 300	165(6.50)	127.0(5.00)	100(3.94)	61(2.40)	22.5(0.89)	1.6(0.06)	8	19(0.75)
JPI 600	165(6.50)	127.0(5.00)	100(3.94)	61(2.40)	31.9(1.26)	6.4(0.25)	8	19(0.75)
DIN PN 10/16	165(6.50)	125(4.92)	100(3.94)	61(2.40)	18(0.71)	0	4	18(0.71)
DIN PN 25/40	165(6.50)	125(4.92)	100(3.94)	61(2.40)	20(0.78)	0	4	18(0.71)
DIN PN64	180(7.09)	135(5.31)	100(3.94)	61(2.40)	26(1.02)	0	4	22(0.87)
GB PN 10/16	165(6.50)	125(4.92)	100(3.94)	61(2.40)	20(0.78)	3(0.12)	4	18(0.71)
GB PN 25/40	165(6.50)	125(4.92)	100(3.94)	61(2.40)	20(0.78)	3(0.12)	4	18(0.71)
GB PN100	165	127(5.31)	100(3.94)	61(2.40)	25.5(1.01)	7(0.28)	8	20(0.78)

※如法兰材质是JIS S25C.f值为0

外型尺寸

HN118W 单位: mm (inch)



法兰尺寸: 4inch(100mm, DN100)

法兰规格	φD	φC	φg	φd	t	f*	n	φh
JIS 10K	210 (8.72)	175 (6.89)	155 (6.10)	96±0.5 (3.78)	18 (0.71)	0(0)	8	19 (0.75)
JIS 20K	225 (8.86)	185 (7.28)	155 (6.10)	96±0.5 (3.78)	24 (0.94)	0(0)	8	23 (0.91)
ANSI 150	228.6 (9.00)	190.5 (7.50)	155 (6.10)	96±0.5 (3.78)	23.9 (0.94)	1.6(0.06)	8	19.1 (0.75)
ANSI 300	254 (10.00)	200.2 (7.88)	155 (6.10)	96±0.5 (3.78)	31.8 (1.25)	1.6(0.06)	8	22.4 (0.88)
JPI 150	229 (9.02)	190.5 (7.50)	155 (6.10)	96±0.5 (3.78)	24 (0.94)	1.6(0.06)	8	19(0.75)
JPI 300	254 (10.00)	200.2 (7.88)	155 (6.10)	96±0.5 (3.78)	32 (1.26)	1.6(0.06)	8	22 (0.87)
DIN PN 10/16	220 (8.66)	180 (7.09)	155 (6.10)	96±0.5 (3.78)	20 (0.79)	0	8	18 (0.71)
DIN PN 25/40	235 (9.25)	190 (7.48)	155 (6.10)	96±0.5 (3.78)	24 (0.94)	0	8	22(0.87)
GB PN 10/16	220(8.66)	180(7.09)	155 (6.10)	96±0.5 (3.78)	22(0.87)	3(0.12)	8	18(0.71)
GB PN 25/40	235(9.25)	190(7.48)	155 (6.10)	96±0.5 (3.78)	26(1.02)	3(0.12)	8	22(0.87)
GB PNI100	275(0.83)	216(0.50)	155 (6.10)	96±0.5 (3.78)	38.5(1.51)	7(0.28)	8	26(1.02)

法兰尺寸: 3inch(80mm, DN80)

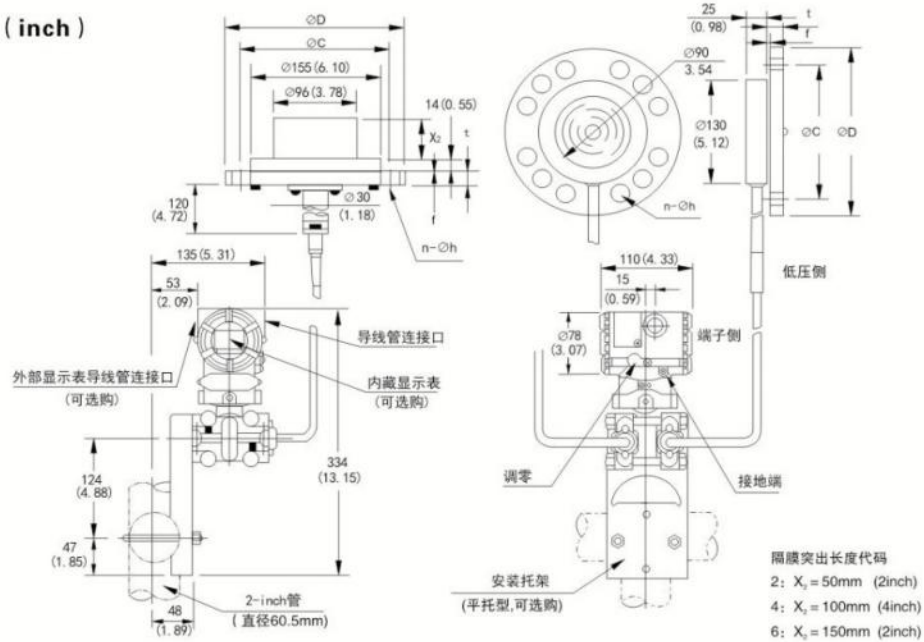
法兰规格	φD	φC	φg	φd	t	f*	n	φh
JIS 10K	185(7.28)	150(5.91)	130(5.12)	71±0.5 (2.80)	18 (0.71)	0(0)	8	19 (0.75)
JIS 20K	200(7.87)	160(6.30)	130(5.12)	71±0.5 (2.80)	22 (0.87)	0(0)	8	23 (0.91)
ANSI 150	190.5(7.50)	152.4(6)	130(5.12)	71±0.5 (2.80)	23.9 (0.94)	1.6(0.06)	4	19.1 (0.75)
ANSI 300	209.6(8.25)	168.1(6.62)	130(5.12)	71±0.5 (2.80)	28.8 (1.12)	1.6(0.06)	8	22.4 (0.88)
JPI 150	190(7.48)	152.4(6)	130(5.12)	71±0.5 (2.80)	24 (0.94)	1.6(0.06)	4	19(0.75)
JPI 300	210(8.27)	168.1(6.62)	130(5.12)	71±0.5 (2.80)	28.5 (1.12)	1.6(0.06)	8	22 (0.87)
DIN PN 10/16	200(7.87)	160(6.30)	130(5.12)	71±0.5 (2.80)	20 (0.79)	0	8	18 (0.71)
DIN PN 25/40	200(7.87)	160(6.30)	130(5.12)	71±0.5 (2.80)	24 (0.94)	0	8	18 (0.71)
GB PN 10/16	200(7.87)	160(6.30)	130(5.12)	71±0.5 (2.80)	20(0.79)	3(0.12)	8	18 (0.71)
GB PN 25/40	200(7.87)	160(6.30)	130(5.12)	71±0.5 (2.80)	24(0.94)	3(0.12)	8	18 (0.71)
GB PNI100	200(7.87)	168.5(6.63)	130(5.12)	71±0.5 (2.80)	32(1.10)	7(0.28)	8	18 (0.71)

隔膜凸出长度代码: 2: X₂=50mm(2-inch)4:X₂=100mm(4-inch)6:X₂=150mm(6-inch)

※如法兰材质是JIS S25C,f值为0

外型尺寸

HN118Y 单位: mm (inch)



高压侧 法兰尺寸: 4-inch(100mm, DN100)

法兰规格	ϕD	ϕC	t	f*	n	ϕh
JIS 10K	210 (8.72)	175 (6.89)	18 (0.71)	0(0)	8	19 (0.75)
JIS 20K	225 (8.86)	185 (7.28)	24 (0.94)	0(0)	8	23 (0.91)
ANSI 150	228.6 (9.00)	190.5 (7.50)	23.9 (0.94)	1.6(0.06)	8	19.1 (0.75)
ANSI 300	254 (10.00)	200.2 (7.88)	31.8 (1.25)	1.6(0.06)	8	22.4 (0.88)
JPI 150	229 (9.02)	190.5 (7.50)	24 (0.94)	1.6(0.06)	8	19(0.75)
JPI 300	254 (10.00)	200.2 (7.88)	32 (1.26)	1.6(0.06)	8	22 (0.87)
DIN PN 10/16	220 (8.66)	180 (7.09)	20 (0.79)	0	8	18 (0.71)
DIN PN 25/40	235 (9.25)	190 (7.48)	24 (0.94)	0	8	22(0.87)
GB PN 10/16	220(8.66)	180(7.09)	22(0.87)	3(0.12)	8	18(0.71)
GB PN 25/40	235(9.25)	190(7.48)	26(1.02)	3(0.12)	8	22(0.87)
GB PN100	275(0.83)	216(0.50)	38.5(1.51)	7(0.28)	8	26(1.02)

低压侧 法兰尺寸: 3-inch(80mm, DN80)

法兰规格	ϕD	ϕC	t	f*	n	ϕh
JIS 10K	185(7.28)	150(5.91)	18 (0.71)	0(0)	8	19 (0.75)
JIS 20K	200(7.87)	160(6.30)	22 (0.87)	0(0)	8	23 (0.91)
ANSI 150	190.5(7.50)	152.4(6)	23.9 (0.94)	1.6(0.06)	4	19.1 (0.75)
ANSI 300	209.6(8.25)	168.1(6.62)	28.8 (1.12)	1.6(0.06)	8	22.4 (0.88)
JPI 150	190(7.48)	152.4(6)	24 (0.94)	1.6(0.06)	4	19(0.75)
JPI 300	210(8.27)	168.1(6.62)	28.5 (1.12)	1.6(0.06)	8	22 (0.87)
DIN PN 10/16	200(7.87)	160(6.30)	20 (0.79)	0	8	18 (0.71)
DIN PN 25/40	200(7.87)	160(6.30)	20 (0.79)	0	8	18 (0.71)
GB PN 10/16	200(7.87)	160(6.30)	20(0.79)	3(0.12)	8	18 (0.71)
GB PN 25/40	200(7.87)	160(6.30)	24(0.94)	3(0.12)	8	18 (0.71)
GB PN100	210(8.27)	168.5(6.63)	32(1.10)	7(0.28)	8	18 (0.71)

※如法兰材质是JIS S25C, f值为0

HN438W、N隔膜密封式压力变送器



概要

密封隔膜是用于防止管道中的介质直接进入差压变送器里的压力传感器组件中、它与变送器之间是靠注满流体的毛细管连接起来的。

438W、438N隔膜密封式差压变送器用于测量液体、气体和蒸汽的流量、液位、密度和压力，然后输出与测得的差压相对应4~20mA DC信号。

由于它们可与HART[®] 手操器相互进行通讯。故可进行远程设定及监控。

功能规格

通信线路条件

电源电压：16.4 ~ 42VDC(16.4 ~ 30V DC)
通信距离：1.5km, 使用CEV电缆时
负载电容：0.22uF以下
负载电感：3.3mH以下
与电源线的间距：15cm以上
连接于接收电阻上的接收仪表的输入阻抗在2.4kHz时，为10kΩ 以上

环境温度

-40 ~ 85℃ (-40 ~ 185° F)(一般型)
-30 ~ 80℃(-22 ~ 176° F)(带数字式表头)

工作压力

2.7kPa abs(20mmHg abs)
~ 法兰的额定工作压力

电源电压变动的影响

0.005% / V(21.6 ~ 32V DC, 350 Ω)

安装

变送器：2-inch管道安装
隔膜密封件：法兰安装

安装法兰规格

ANSI规格的法兰与垫片接触的一面，进行锯齿形加工(根据ANSI B16.5)

变送器材质

法兰：JLS SUSI4A
法兰螺栓：参阅“型号及规格代码表”

隔膜密封件材质

毛细管：JIS SUS316
保护管：JIS SUS304
PVC屏蔽(PVC的最大使用温度：100℃)

阻尼时间常数

放大器组件和带隔膜密封件的膜盒组件的时间常数相加值
放大器组件时间常数0.2~64秒。可分9段设定
当毛细管长3m。注八液的代码A时，在正常温度下取得的值

型号及规格代码一览表

HN438W 型[法兰尺寸: 2-inch (50mm, DN50) 和3-inch(80mm, DN80)]

型号	规格代码	说明
HN438W	-----	隔膜密封式差压变送器 (平膜式)
输出信号	-D	4~20mA
	-E	4~20mA, DC带数字通讯 (HART协议)
测量量程 (膜盒)	M	4~40kPa{400~4000mmH ₂ O}
	H	20~200kPa{0.2~2kgf/cm ² }
	A	70~700kPa{0.7~7kgf/cm ² }
	B	0.21~2.1MPa{2.1~21kgf/cm ² }
	V	0.07~7MPa{0.7~70kgf/cm ² }
W	2.1~21MPa{21~210kgf/cm ² }	
接液部分材质	S	[隔膜] JIS SUS316L
	H	哈氏合金C-276
	T	钽
	U	钛
		[其它] JIS SUS316 哈氏合金 钽 钛
法兰规格	J1	JIS 10K
	J2	JIS 20K
	J4	JIS 40K
	A1	JIS 63K
	A2	ANSI 150
	A4	ANSI 300
	P1	ANSI 600
	P2	JPI 150
	P4	JPI 300
	D2	JPI 600
	D4	DIN PN10/16
	D5	DIN PN25/40
	G2	DIN PN64
	G4	GB PN10/16 (GB/T9115.1-2000)
G6	GB PN25/40 (GB/T9115.1-2000) GB PN100 (GB/T9115.1-2000)	
法兰尺寸/材质	A	2-inch (50mm) /JIS S25C
	B	2-inch (50mm) /JIS SUS304
	C	2-inch (50mm) /JIS SUS316
	D	3-inch (80mm) /JIS SUS25C
	E	3-inch (80mm) /JIS SUS304
	F	3-inch (80mm) /JIS SUS316
法兰螺栓材质	A	JIS SCM435
	B	JIS SUS630
注入液	-A	一般型 (硅油) (注1)
	-B	一般型 (硅油) (注2)
	-C	高温型 (硅油)
	-D	禁油型 (氟油)
	-E	低温型 (乙 (撑) 二醇)
		(接液温度) (环境温度) -10~250℃ -10~60℃ -30~180℃ -15~60℃ 10~300℃ 10~60℃ -20~120℃ -10~60℃ -50~180℃ -40~60℃
-	A	通常为A
毛细管长度 (m)	□□ (注3)	规定的毛细管长度从1~10m, 用□□表示 (例如: 2m: 02)
安装	-9	水平配管连接型, 左面高压
接线口	2	M20X1.5内螺纹, 2处接线口
	5	M20X1.5内螺纹, 两个电气接口, 一个盲塞
内藏显示表	D	线性表头
	E	带范围设定开关的数字式显示表
	N	(无)
2-inch 管安装	A	JIS SECC平托型
	B	JIS SUS304平托型
	N	(无)
危险场所认证	B	本安型 (ia II CT4/T6)
	F	隔爆型 (d II CT4/T6)

例: HN438W-EMSAIAA-AA02-92NN

注1: 如选择接液件材质代码“T”(钽), 接液温度为-10~200℃; 注2: 不适用接液件代码“T”(钽); 注3: 如选择接液件材质代码“H”(哈氏合金)、“T”(钽)、“U”(钛)或充灌液代码“C”(高温用), 毛细管长度规定为1~5m。

HN438N型[法兰尺寸: 4-inch(100mm, DN100)]

型号	规格代码	说明
HN438N		隔膜密封式差压变送器(凸膜片形)
输出信号	-D	4~20mA
	-E	4~20mA, DC带数字通讯(HART协议)
测量量程 (膜盒)	M	4~40kPa{400~4000mmHzO}
	H	20~200kPa{0.2~2kgf/cm ² }
	A	70~700kPa{0.7~7kgf/cm ² }
	B	0.21~2.1MPa{2.1~21kgf/cm ² }
	V	0.07~7MPa{0.7~70kgf/cm ² }
	W	2.1~21MPa{21~210kgf/cm ² }
接液部分材质	S	[隔膜] JIS SUS316L [管道] JIS SUS316 [其它] JIS SUS316
	H	哈氏合金C-276 JIS SUS316 JIS SUS316
法兰规格	J1	JIS 10K
	J2	JIS 20K
	J4	JIS 40K
	A1	ANSI 150
	A2	ANSI 300
	P1	JPI 150
	P2	JPI 300
	D2	DIN PN10/16
	D4	DIN PN25/40
	G2	GB PN10/16 (GB/T9115.1-2000)
G4	GB PN25/40 (GB/T9115.1-2000)	
G6	GB PN100 (GB/T9115.1-2000)	
隔膜凸出长度(X ₂)	2	X ₂ =50mm
	4	X ₂ =100mm
	6	X ₂ =150mm
法兰尺寸/材质	G	4-inch (100mm, DN100) /JIS S25 C
	H	4-inch (100mm, DN100) /JIS SUS304
	J	4-inch (100mm, DN100) /JIS SUS316
法兰螺栓材质	A	JIS SCM435
	B	JIS SUS630
注入液	-A	(接液温度) (环境温度) 一般型(硅油) -10~250°C -10~60°C
	-B	一般型(硅油) -30~180°C -15~60°C
	-C	高温型(硅油) 10~300°C 10~60°C
	-D	禁油型(硅油) -20~120°C -10~60°C
	-E	低温型(乙(撑)二醇) -50~100°C -40~60°C
-	B	通常为B
毛细管长度(m)	□□ (注1)	规定的毛细管长度从1~10m, 用□□表示(例如: 2m: 02)
安装	-9	水平配管连接型, 左面高压
接线口	2	M20X1.5内螺纹, 2处接线口, 不带盲塞
	5	M20X1.5内螺纹, 两个电气接口, 一个盲塞
内藏显示表	D	线性表头
	E	带范围设定开关的数字式显示表
	N	(无)
2-inch 管安装支架	A	JIS SECC平托型
	B	JIS SUS304平托型
	N	(无)
危险场所认证	B	本安型(ia II CT4/T6)
	F	隔爆型(d II CT4/T6)

例: HN438N-EMSA 12GA-AB02-92NN。

注1: 如选择充灌液代码“C”(高温用), 毛细管长度为1~5m。

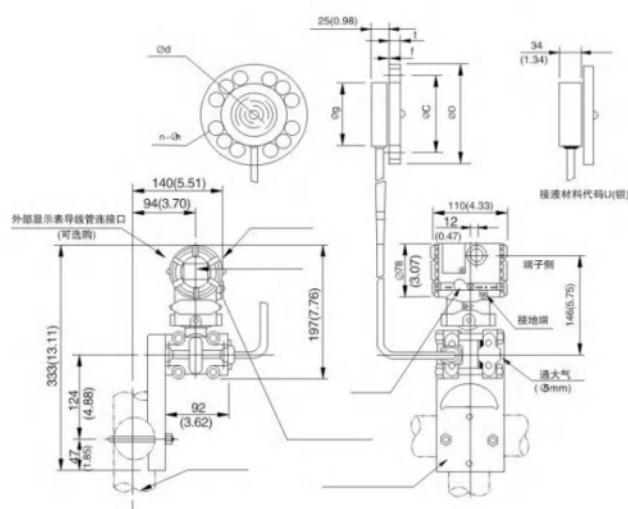
HN438N型[法兰尺寸: 3-inch(80mm, DN80)]

型号	规格代码	说明
HN438N	隔膜密封式差压变送器 (凸膜片形)
输出信号	-D	4~20mA
	-E	4~20mA, DC带数字通讯 (HART协议)
测量量程 (膜盒)	M	4~40kPa{400~4000mmH ₂ O}
	H	20~200kPa{0.2~2kgf/cm ² }
	A	70~700kPa{0.7~7kgf/cm ² }
	B	0.21~2.1MPa{2.1~21kgf/cm ² }
	V	0.07~7MPa{0.7~70kgf/cm ² }
	W	2.1~21MPa{21~210kgf/cm ² }
接液部分材质	S	[隔膜] JIS SUS316L [管道] JIS SUS316 [其它] JIS SUS316
	H	哈氏合金C-276 JIS SUS316 JIS SUS316
法兰规格	J1	JIS 10K
	J2	JIS 20K
	J4	JIS 40K
	A1	ANSI 150
	A2	ANSI 300
	P1	JPI 150
	P2	JPI 300
	D2	DIN PN10/16
	D4	DIN PN25/40
	D5	GB PN10/16 (GB/T9115.1-2000)
	G2	GB PN25/40 (GB/T9115.1-2000)
	G4	GB PN100 (GB/T9115.1-2000)
隔膜凸出长度 (X ₂)	2	X ₂ =50mm
	4	X ₂ =100mm
	6	X ₂ =150mm
外壳法兰尺寸/材质	D	3-inch (80mm) /JIS S25 C
	E	3-inch (80mm) /JIS SUS304
	F	3-inch (80mm) /JIS SUS316
法兰螺栓材质	A	JIS SCM435
	B	JIS SUS630
注入液	-A	一般型 (硅油) (接液温度) (环境温度) -10~250℃ -10~60℃
	-B	一般型 (硅油) -30~180℃ -15~60℃
-	B	通常为B
毛细管长度 (m)	□□	规定的毛细管长度从1~10m, 用□□表示 (例如: 2m: 02)
安装	-9	水平配管连接型, 左面高压
接线口	2	M20X1.5内螺纹, 2处接线口, 不带盲塞
	5	M20X1.5内螺纹, 两个电气接口, 一个盲塞
内藏显示表	D	线性表头
	E	带范围设定开关的数字式显示表
	N	(无)
2-inch 管安装支架	A	JIS SECC平托型
	B	JIS SUS304平托型
	N	(无)
危险场所认证	B	本安型 (ia II CT4/T6)
	F	隔爆型 (d II CT4/T6)

例: HN438N-EMSA 12DA-AB02-92NN

外型尺寸

HN438A 单位: mm (inch)



法兰尺寸: 3-inch(80mm, DN80)

法兰规格	φD	φC	φg	φd	t	f*	n	φh
JIS 10K	185 (7.28)	150 (5.91)	130 (5.12)	90 (3.54)	18 (0.71)	0(0)	8	19 (0.75)
JIS 20K	200 (7.87)	160 (6.30)	130 (5.12)	90 (3.54)	22 (0.87)	0(0)	8	23 (0.91)
JIS 40K	210(8.27)	170(6.69)	130 (5.12)	90 (3.54)	32(1.26)	0(0)	8	23(0.91)
ANSI 150	190.5 (7.50)	152.4 (6.00)	130 (5.12)	90 (3.54)	23.9(0.94)	1.6(0.06)	4	19.1 (0.75)
ANSI 300	209.6 (8.25)	168.1 (6.62)	130 (5.12)	90 (3.54)	28.5(1.12)	1.6(0.06)	8	22.4 (0.88)
ANSI 600	209.6(8.25)	168.1(6.62)	130 (5.12)	90 (3.54)	38.2(1.50)	6.4(0.25)	8	22.4(0.88)
JPI 150	190 (7.48)	152.4 (6.00)	130 (5.12)	90 (3.54)	24(0.94)	1.6(0.06)	4	19 (0.75)
JPI 300	210 (8.27)	168.1 (6.62)	130 (5.12)	90 (3.54)	28.5(1.12)	1.6(0.06)	8	22 (0.87)
JPI 600	210(8.27)	168.1(6.62)	130 (5.12)	90 (3.54)	38.2(1.50)	6.4(0.25)	8	22(0.87)
DIN PN 10/16	200 (7.88)	160 (6.30)	130 (5.12)	90 (3.54)	20(0.79)	0	8	18 (0.71)
DIN PN 25/40	200 (7.88)	160 (6.30)	130 (5.12)	90 (3.54)	24(0.94)	0	8	18 (0.71)
DIN PN64	215(8.46)	170(6.69)	130 (5.12)	90 (3.54)	28(1.10)	0	8	22(0.87)
GB PN 10/16	200(7.87)	160(6.30)	130 (5.12)	90 (3.54)	20(0.79)	3(0.12)	8	18(0.71)
GB PN 25/40	200(7.87)	160(6.30)	130 (5.12)	90 (3.54)	24(0.94)	3(0.12)	8	18(0.71)
GB PN100	210(8.27)	168.5(6.63)	130 (5.12)	90 (3.54)	32(1.26)	7(0.28)	8	18(0.71)

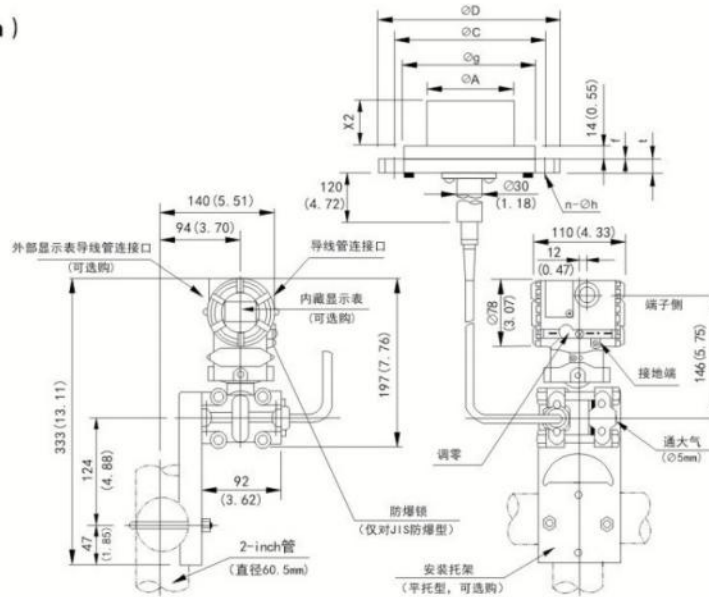
法兰尺寸: 1-inch(50mm, DN50)

法兰规格	φD	φC	φg	φd	t	f*	n	φh
JIS 10K	155(6.10)	120(4.72)	100(3.94)	61(2.40)	16(0.63)	0(0)	4	19(0.75)
JIS 20K	155(6.10)	120(4.72)	100(3.94)	61(2.40)	18(0.71)	0(0)	8	19(0.75)
JIS 40K	165(6.50)	130(5.12)	100(3.94)	61(2.40)	26(1.02)	0(0)	8	19(0.75)
ANSI 150	152.4(6.00)	120.7(4.75)	100(3.94)	61(2.40)	19.1(0.75)	1.6(0.06)	4	19.1(0.75)
ANSI 300	165.1(6.50)	127.0(5.00)	100(3.94)	61(2.40)	22.4(0.88)	1.6(0.06)	8	19.1(0.75)
ANSI 600	165.1(6.50)	127.0(5.00)	100(3.94)	61(2.40)	31.8(1.25)	6.4(0.25)	8	19.1(0.75)
JPI 150	152(6.10)	120.6(4.75)	100(3.94)	61(2.40)	19.5(0.77)	1.6(0.06)	4	19(0.75)
JPI 300	165(6.50)	127.0(5.00)	100(3.94)	61(2.40)	22.5(0.89)	1.6(0.06)	8	19(0.75)
JPI 600	165(6.50)	127.0(5.00)	100(3.94)	61(2.40)	31.9(1.26)	6.4(0.25)	8	19(0.75)
DIN PN 10/16	165(6.50)	125(4.92)	100(3.94)	61(2.40)	18(0.71)	0	4	18(0.71)
DIN PN 25/40	165(6.50)	125(4.92)	100(3.94)	61(2.40)	20(0.78)	0	4	18(0.71)
DIN PN64	180(7.09)	135(5.31)	100(3.94)	61(2.40)	26(1.02)	0	4	22(0.87)
GB PN 10/16	165(6.50)	125(4.92)	100(3.94)	61(2.40)	20(0.78)	3(0.12)	4	18(0.71)
GB PN 25/40	165(6.50)	125(4.92)	100(3.94)	61(2.40)	20(0.78)	3(0.12)	4	18(0.71)
GB Pn100	165(6.50)	127(4.92)	100(3.94)	61(2.40)	25.5(1.00)	7(0.28)	8	20(0.78)

※如法兰材质是JIS S25C.f值为0

外型尺寸

HN438N 单位: mm (inch)



隔膜突出长度代码

- 2: X2 = 50mm (2inch)
- 4: X2 = 100mm (4inch)
- 6: X2 = 150mm (6inch)

法兰尺寸: 4inch(100mm, DN100)

法兰规格	φD	φC	φg	φd	t	f*	n	φh
JIS 10K	210 (8.72)	175 (6.89)	155 (6.10)	96 (3.78)	18 (0.71)	0(0)	8	19 (0.75)
JIS 20K	225 (8.86)	185 (7.28)	155 (6.10)	96 (3.78)	24 (0.94)	0(0)	8	23 (0.91)
ANSI 150	228.6 (9.00)	190.5 (7.50)	155 (6.10)	96 (3.78)	23.9 (0.94)	1.6(0.06)	8	19.1 (0.75)
ANSI 300	254 (10.00)	200.2 (7.88)	155 (6.10)	96 (3.78)	31.8 (1.25)	1.6(0.06)	8	22.4 (0.88)
JPI 150	229 (9.02)	190.5 (7.50)	155 (6.10)	96 (3.78)	24 (0.94)	1.6(0.06)	8	19(0.75)
JPI 300	254 (10.00)	200.2 (7.88)	155 (6.10)	96 (3.78)	32 (1.26)	1.6(0.06)	8	22 (0.87)
DIN PN 10/16	220 (8.66)	180 (7.09)	155 (6.10)	96 (3.78)	20 (0.79)	0	8	18 (0.71)
DIN PN 25/40	235 (9.25)	190 (7.48)	155 (6.10)	96 (3.78)	24 (0.94)	0	8	22(0.87)
GB PN 10/16	220(8.66)	180(7.09)	155 (6.10)	96 (3.78)	22(0.87)	3(0.12)	8	18(0.71)
GB PN 25/40	235(9.25)	190(7.48)	155 (6.10)	96 (3.78)	26(1.02)	3(0.12)	8	22(0.87)
GB PNI100	275(0.83)	216(8.50)	155 (6.10)	96 (3.78)	38.5(1.51)	7(0.28)	8	26(1.02)

法兰尺寸: 3inch(80mm, DN80)

法兰规格	φD	φC	φg	φd	t	f*	n	φh
JIS 10K	185(7.28)	150(5.91)	130(5.12)	71 (2.80)	18 (0.71)	0(0)	8	19 (0.75)
JIS 20K	200(7.87)	160(6.30)	130(5.12)	71 (2.80)	22 (0.87)	0(0)	8	23 (0.91)
ANSI 150	190.5(7.50)	152.4(6)	130(5.12)	71 (2.80)	23.9 (0.94)	1.6(0.06)	4	19.1 (0.75)
ANSI 300	209.6(8.25)	168.1(6.62)	130(5.12)	71 (2.80)	28.8 (1.12)	1.6(0.06)	8	22.4 (0.88)
JPI 150	190(7.48)	152.4(6)	130(5.12)	71 (2.80)	24 (0.94)	1.6(0.06)	4	19(0.75)
JPI 300	210(8.27)	168.1(6.62)	130(5.12)	71 (2.80)	28.5 (1.12)	1.6(0.06)	8	22 (0.87)
DIN PN 10/16	200(7.87)	160(6.30)	130(5.12)	71 (2.80)	20 (0.79)	0	8	18 (0.71)
DIN PN 25/40	200(7.87)	160(6.30)	130(5.12)	71 (2.80)	24 (0.94)	0	8	18 (0.71)
GB PN 10/16	200(7.87)	160(6.30)	130(5.12)	71 (2.80)	20(0.79)	3(0.12)	8	18 (0.71)
GB PN 25/40	200(7.87)	160(6.30)	130(5.12)	71 (2.80)	24(0.94)	3(0.12)	8	18 (0.71)
GB PNI100	210(8.27)	168.5(6.63)	130(5.12)	71 (2.80)	32(1.26)	7(0.78)	8	18 (0.71)

※如法兰材质是JIS S25C, f值为0

HN208、HN316系列扩散硅变送器



316压力变送器



208压力变送器

概要

208、316系列扩散硅变送器，选取进口高性能隔离式扩散硅传感器，采用国际上的先进制造工艺，具有同类进口变送器的坚固性和可靠性，适用于各种工业领域中腐蚀性介质的表压、绝压和负压的检测。

功能规格

性能价格比高
过程直接安装
温度特性好
综合精度高

主要技术参数

电源：24VDC输出4~20mA二线制
零位可调范围：+5%FS
量程调节比：3：1以上
量程范围：-100Kpa ~ 0 ~ 60Mpa
负载特性：负载在0 ~ 600 Ω内(24VDC供电)维持恒流输出
防爆型dII CT4，本安型iaIII CT6
过压极限：2倍于上限压力
温度范围：过程：-20 ~ 60℃
精度等级：±0.5%
稳定性：±0.2%FS
重量：约1 kg

HN型扩散硅压力变送器选型表

选型表

型号	变送器类型
208	压力变送器
316	压力变送器
代号	过程连接膜片及材料
1	不锈钢316L膜片/过程1Cr18Ni9Ti
2	钽膜片/过程316L
9	陶瓷膜片/过程316L
代号	过程连接标准
R	外螺纹G1/2A 内孔φ8mm
B	外螺纹M20X1.5 内孔φ8mm
Y	约定的特殊要求
代号	密封圈材料
1F	氟橡胶 [低温限制度-20℃]
3F	氟硅橡胶 [低温限制度-20℃]
4F	EPDM [低温限制度-40℃]
9Y	约定的特殊要求
代号	信号输出
2	模拟信号-20mA二线
9	约定的特殊要求
代号	外壳显示
5	铝外壳, 电缆孔M20X1.5
9	数字显示3 ^{1/2} LCD现场压力值 (BPS316不配)
Y	百分比指针显示 (BPS316不配)
代号	精度等级
3	0.2%
6	0.5%
1	1%
代号	防爆等级
1	d II Ct4隔离爆 II 类C级T6组
2	ia II Ct6本安型 II 类C级T4组
代号	量程、压力单位
G1G	表压
G2G	绝压
Y	负压
HN208 1 B 1F 5 6 G1G	

安装附件

安装支架 G

标准电缆密封套

外螺纹M20X1.5 T

隔爆电缆密封套

外螺纹M20X1.5 T2

用户选用附件, 请在选型代码后的括号内注明所要附件的代码。

例: HN208 1B 1F 5 6 G1G



HUINING GROUP

团结 求实 开拓 高效

CONSOLIDATION REALISTEC INNOVATIVE EFFICIENT

北京办事处

地址：北京市朝阳区北四环东路108号
千鹤家园2号楼2006室
电话：010-84831082 010-84833026
邮编：100029

兰州办事处

地址：甘肃兰州市西固区玉门街
中鹏温馨花园3号楼4单元102室
电话：0931-7573530 0931-7566497
邮编：730060

新疆办事处

地址：新疆乌鲁木齐市阿勒泰路2324号山水名居小区
电话：0991-3847790 0991-3850352
邮编：830050

九江办事处

地址：九江市庐峰路信华城市花园37栋2单元502室
电话：0792-8592899
邮编：332000

钦州办事处

地址：广西钦州市钦州港经济开发区
金鼓新城L栋2单元810室
电话：0771-3236788
邮编：535008

广州办事处

地址：广东省广州市凤凰城凤妍苑二街17栋203室
电话：020-85816956 020-82451300
邮编：511340

安徽徽宁电器仪表集团有限公司 安徽创新电缆有限公司

地址：安徽省天长市铜城镇乔田社区乔坝路99号
电话：0550-7561599 7561479
传真：0550-7561496
邮编：239312
<http://www.huininggroup.com>
E-mail:hn@huininggroup.com